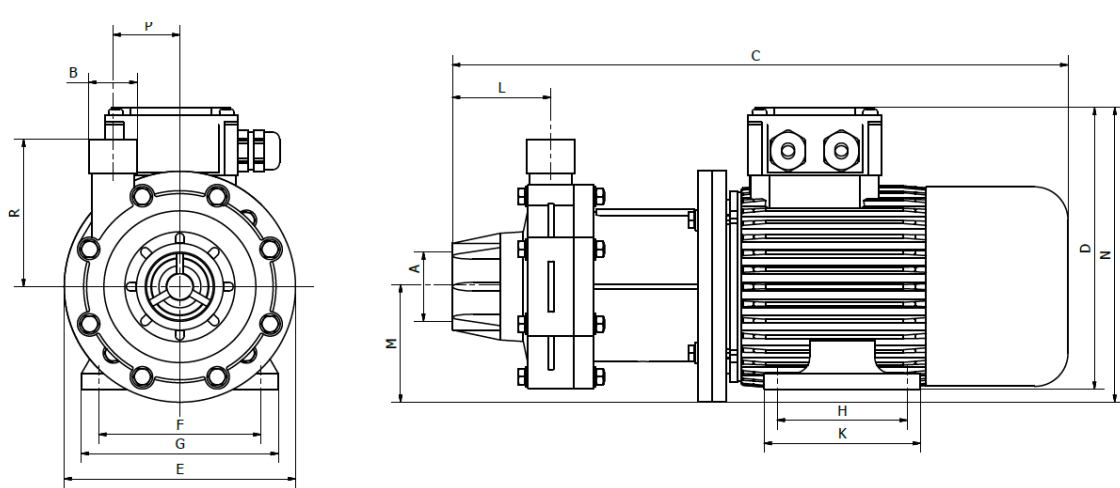


# Technical data Corode magnetic drive pumps

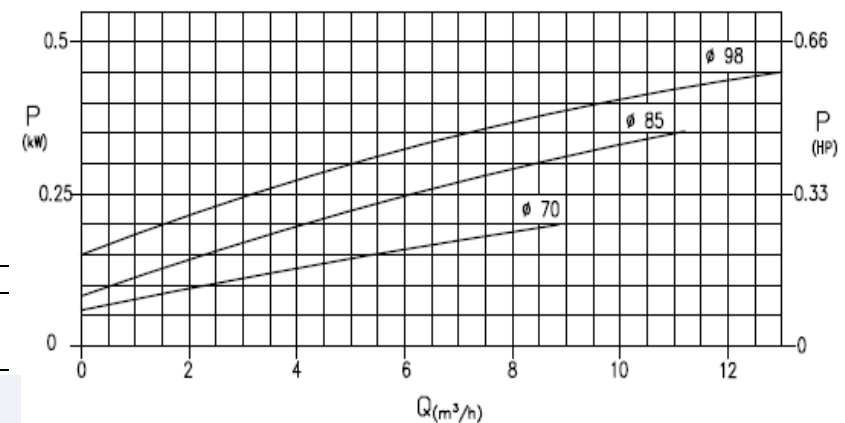
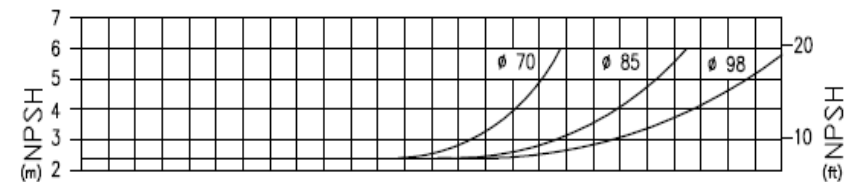
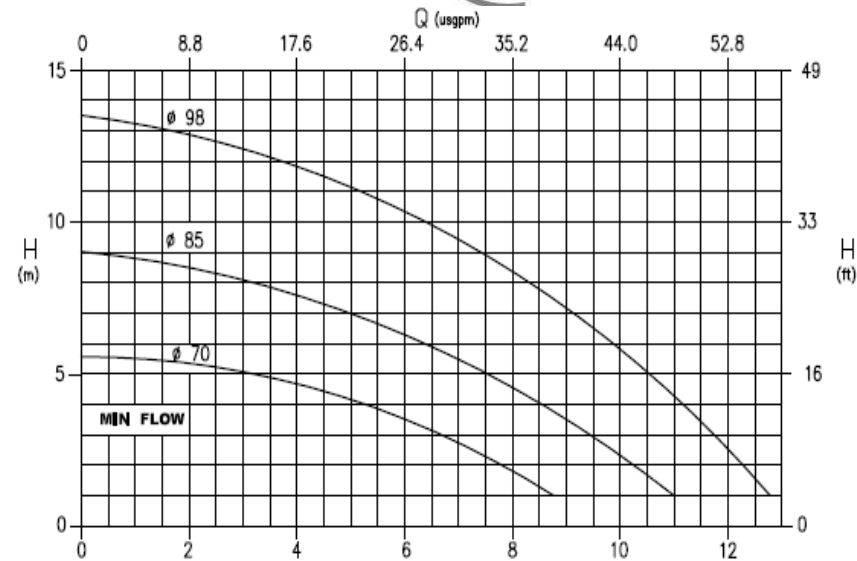


## MAG-10 PP/ PVDF

Materials available :PP or PVDF  
 O-ring :EPDM or Viton  
 Max. flow :12m<sup>3</sup>/h  
 Max. head :13.2mtr.  
 Max. temperature :PP 60°C; PVDF 90°C  
 Max. viscosity :200 cSt  
 Motor :0.55kW, 400V, 2.29/1.32Amp, 3Ph, 50Hz,  
 IP55 :0.55kW, 230V, 5Amp, 1Ph, 50Hz, IP55



	A	B	C	D	E	F	G	H	K	L	M	N	P
<b>MAG-10</b>	11/2" in	1" out	393	183	160	115	144	90	108	70	80	195	45



info@lennotech.com Tel. +31-152-610-900  
 www.lennotech.com Fax. +31-152-616-289