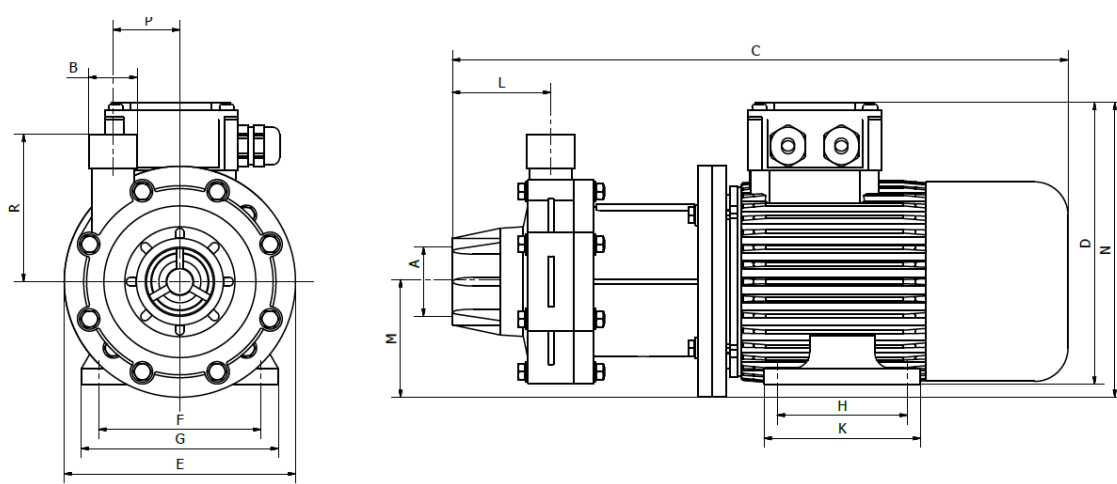


MAG-04 PP/ PVDF

Materials available :PP or PVDF
 O-ring :EPDM or Viton
 Max. flow :3,5m³/h
 Max. head :7mtr.
 Max. temperature :PP 60°C; PVDF 90°C
 Max. viscosity :200 cSt
 Motor :0.12kW, 400V, 0.66/0.38Amp, 3Ph, 50Hz, IP55
 :0.12kW, 230V, 1.1Amp, 1Ph, 50Hz, IP55



	A	B	C	D	E	F	G	H	K	L	M	N	P
MAG-30	1" in	1/2" out	288	152	120	90	110	72	93	39	60	160	34

