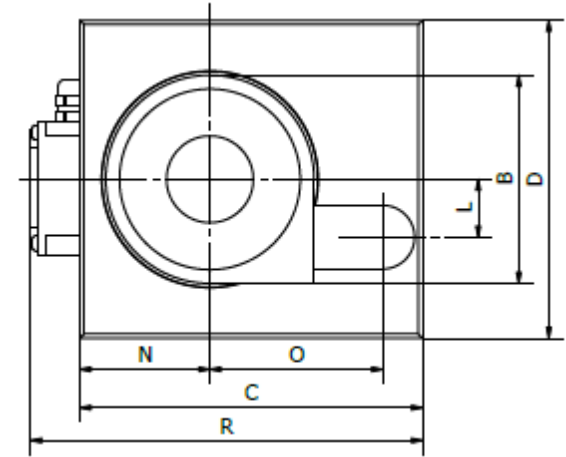
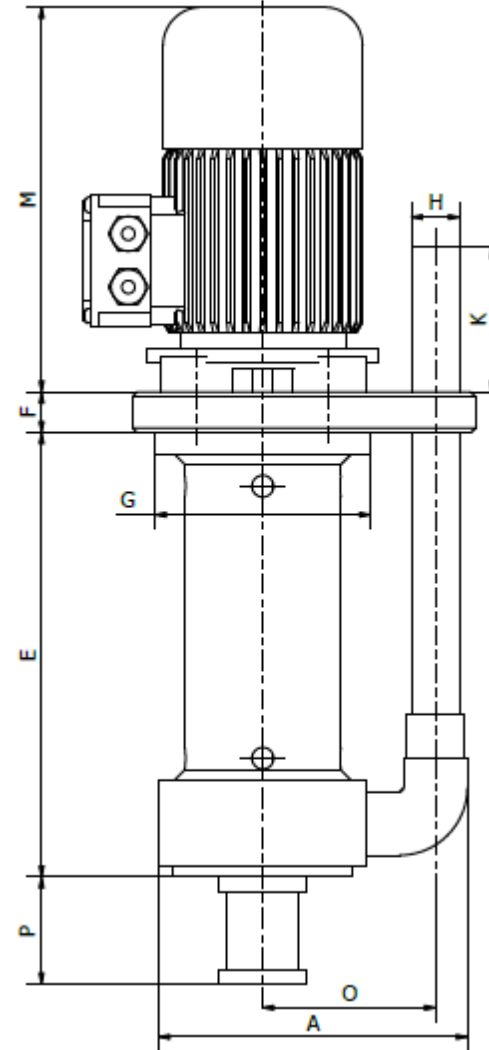
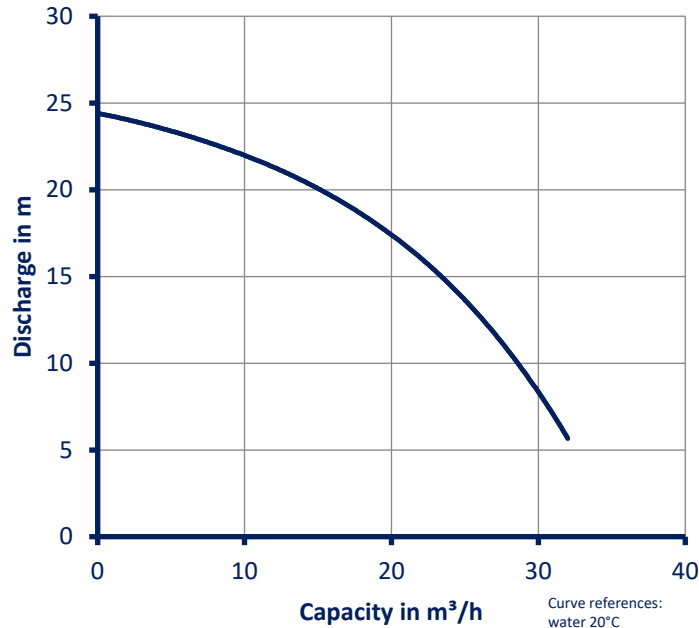


Technical data Corode CS vertical pump

**CS400-300 PP/ PVDF**

Materials available :PP or PVDF  
 O-ring :EPDM or Viton  
 Max. flow :32m<sup>3</sup>/h  
 Max. head :24m.  
 Max. temperature :PP 75°C; PVDF 90°C  
 Motor :3kW, 230/400V, 10.8/6.2Amp, 3Ph, 50Hz, IP55

**CS400-300**



	A	B	C	D	E	F	G	H	K	L	M	N	O	P	R
<b>CS400-300</b>	250	182	285	240	390	25	200	50	135	45	355	115	130	80	305