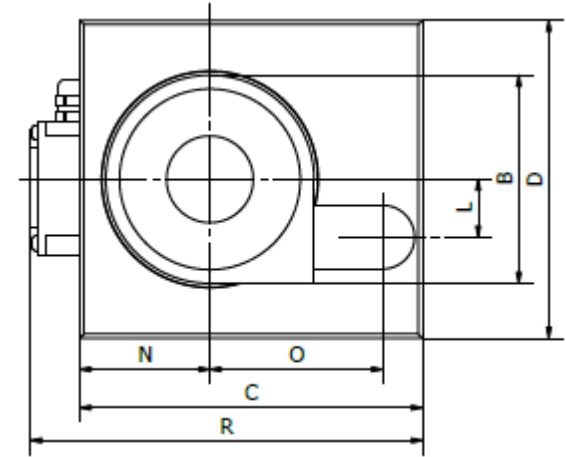
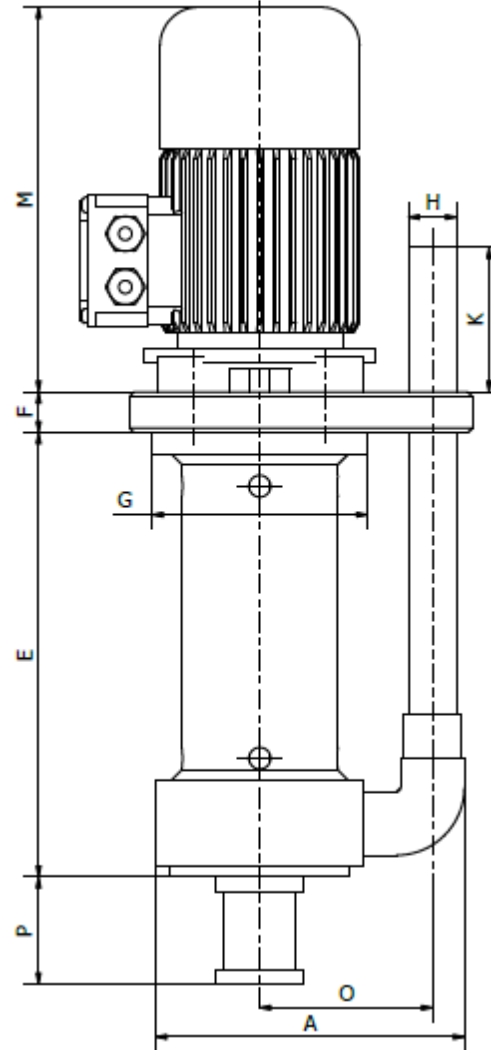


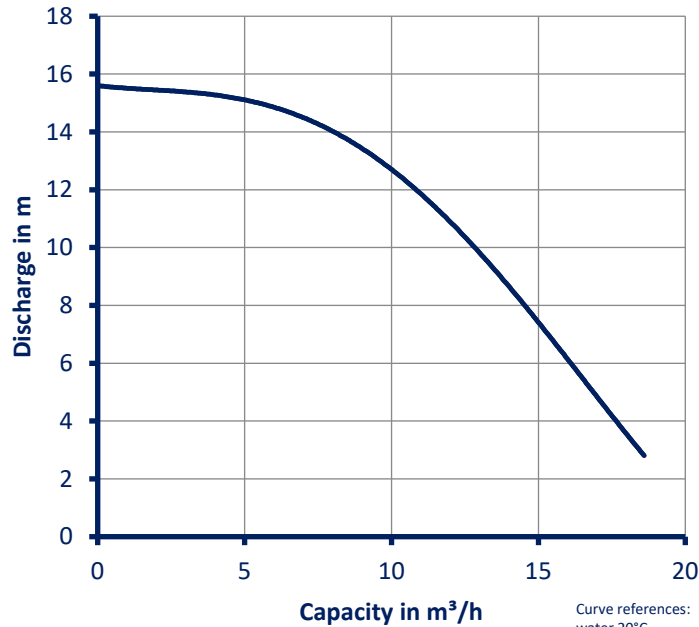
Technical data Corode CS vertical pump

CS400-150 PP/ PVDF

Materials available :PP or PVDF
 O-ring :EPDM or Viton
 Max. flow :18,6m³/h
 Max. head :15.6m.
 Max. temperature :PP 75°C; PVDF 90°C
 Motor :1.5kW, 230/400V, 5.05/2.9Amp, 3Ph, 50Hz, IP55



CS400-150



	A	B	C	D	E	F	G	H	K	L	M	N	O	P	R
CS400-150	245	184	285	240	375	25	200	40	125	45	330	115	130	80	295