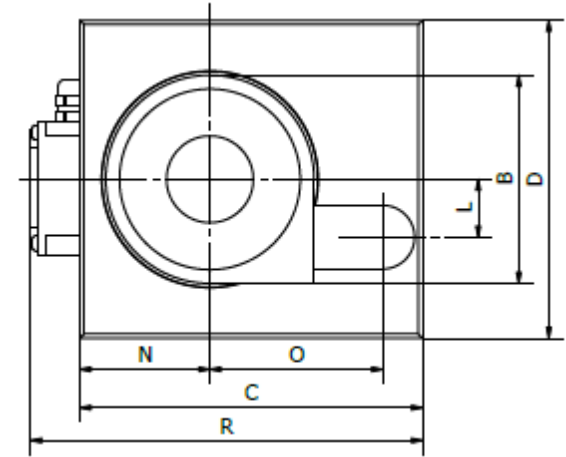
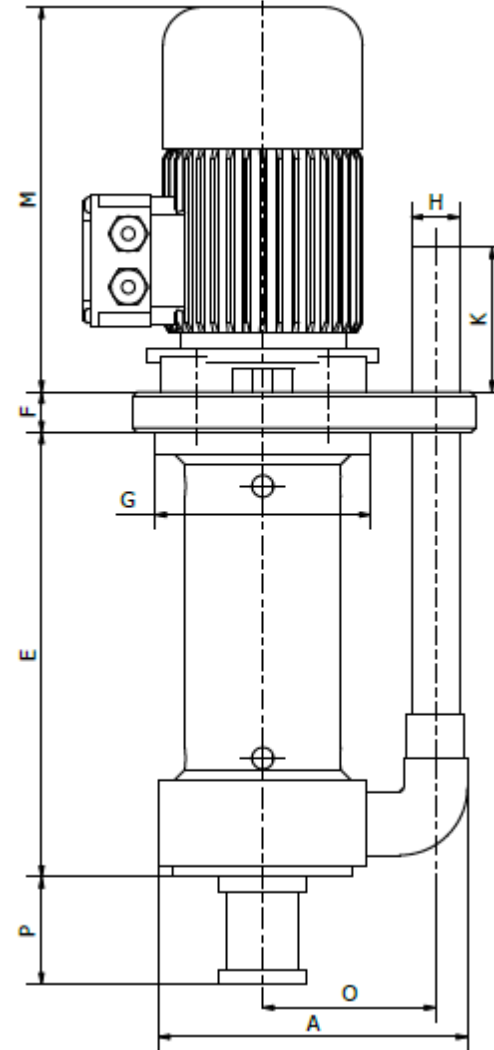
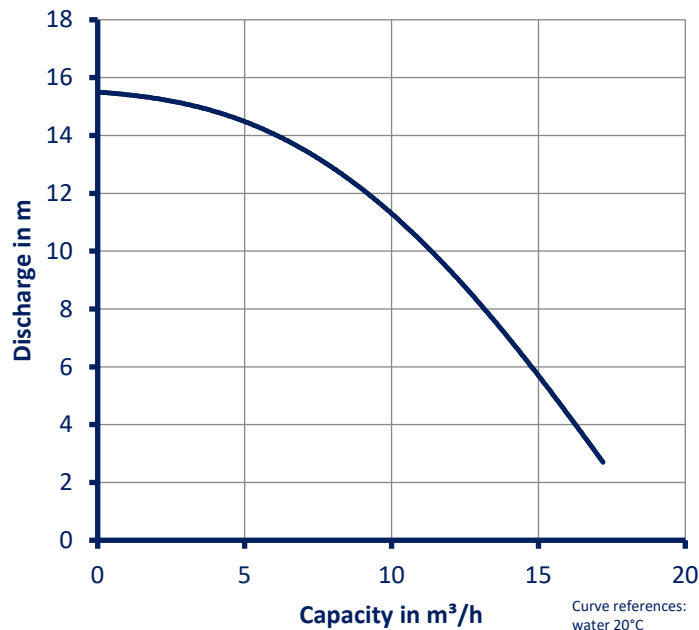


Technical data Corode CS vertical pump

CS400-110 PP/ PVDF

Materials available :PP or PVDF
 O-ring :EPDM or Viton
 Max. flow :17.2m³/h
 Max. head :15.2m.
 Max. temperature :PP 75°C; PVDF 90°C
 Motor :1.1kW, 230/400V, 3.75/2.15Amp, 3Ph, 50Hz, IP55

CS400-110



	A	B	C	D	E	F	G	H	K	L	M	N	O	P	R
CS400-110	245	184	285	240	375	25	200	40	125	45	265	115	130	80	293