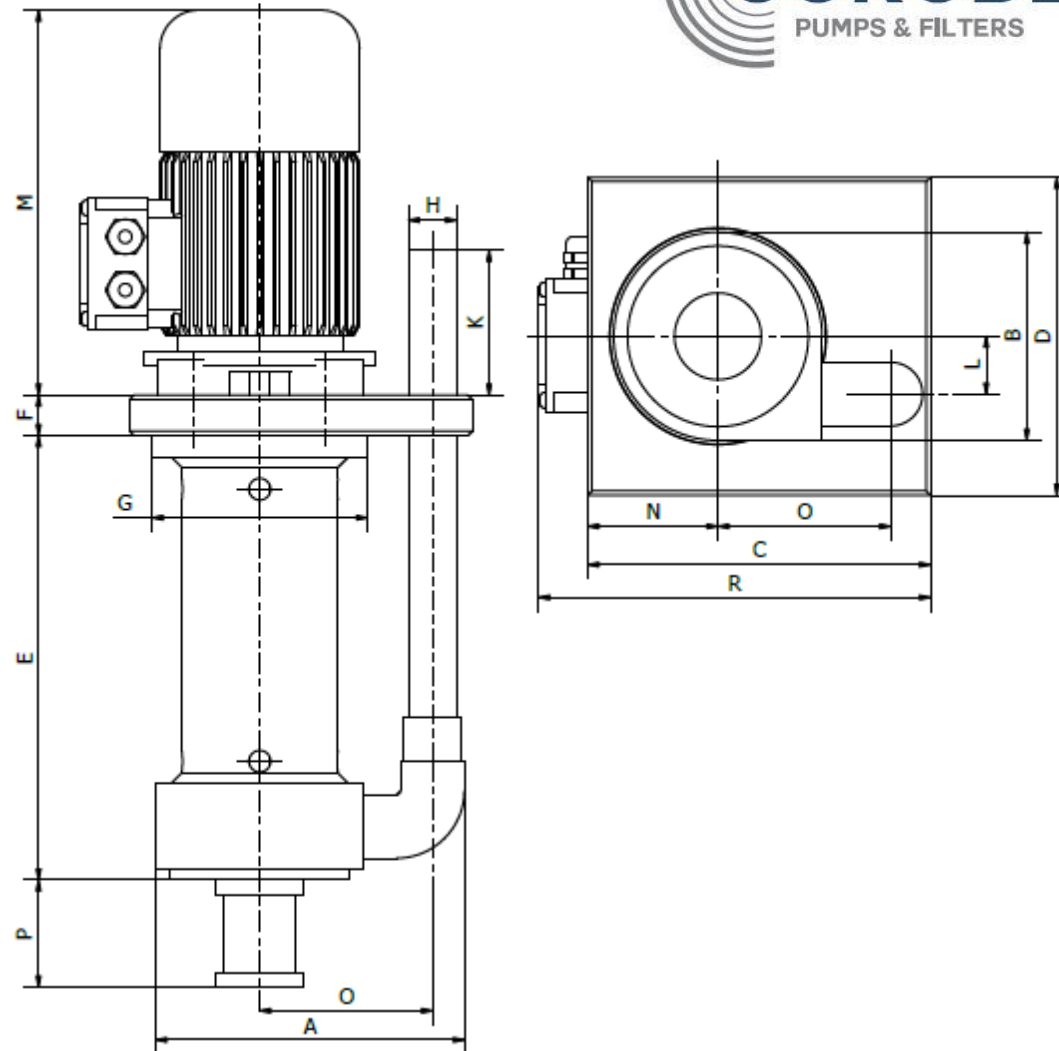
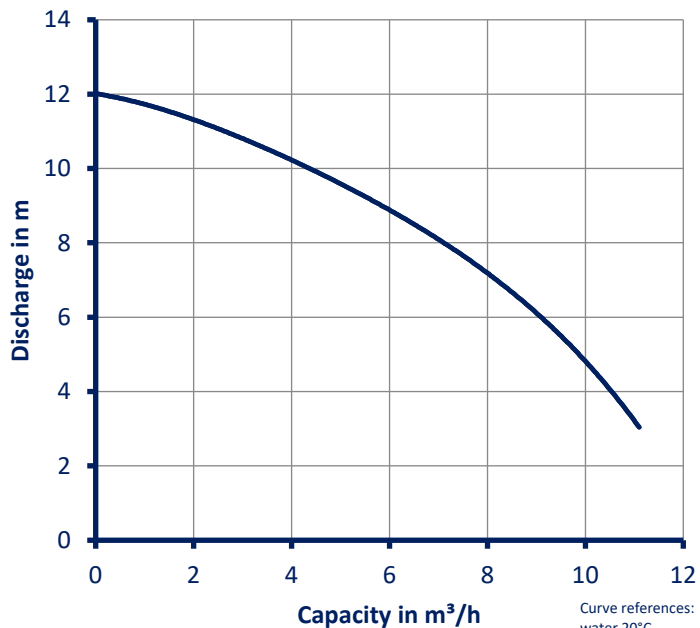


Technical data Corode CS vertical pump

CS300-055 PP/ PVDF

Materials available	:PP or PVDF
O-ring	:EPDM or Viton
Max. flow	:11.1m ³ /h
Max. head	:11,8m.
Max. temperature	:PP 75°C; PVDF 90°C
Motor	:0.55kW, 400V, 2.3/1.32Amp, 3Ph, 50Hz, IP55

CS300-055



	A	B	C	D	E	F	G	H	K	L	M	N	O	P	R
CS300-055	205	144	227	220	305	25	150	32	95	40	230	90	110	70	245