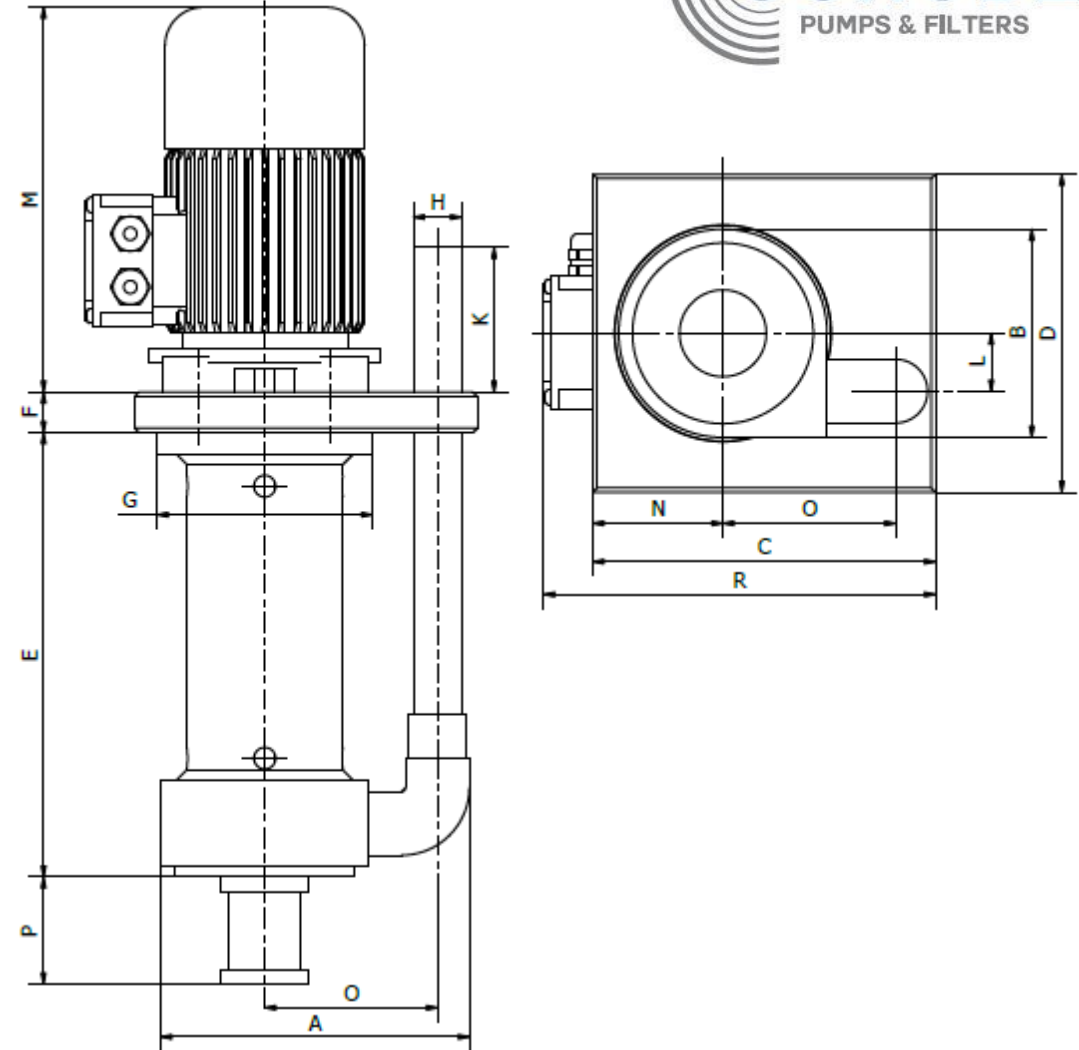
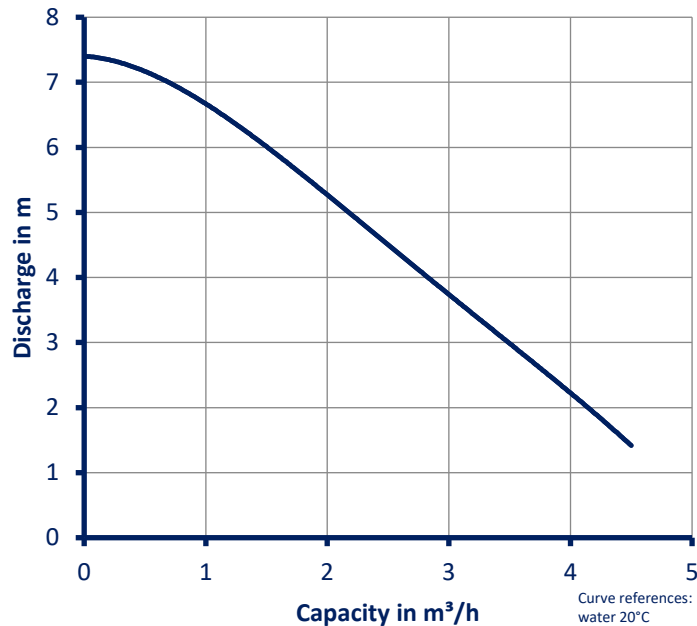


Technical data Corode CS vertical pump

CS300-018 PP/ PVDF

Materials available :PP or PVDF
 O-ring :EPDM or Viton
 Max. flow :4.5m³/h
 Max. head :7m.
 Max. temperature :PP 75°C; PVDF 90°C
 Motor :0.18kW, 400V, 0.89/0.51Amp, 3Ph, 50Hz, IP55

CS300-018



	A	B	C	D	E	F	G	H	K	L	M	N	O	P	R
CS300-018	205	144	227	220	305	25	150	32	95	40	200	90	110	70	240

LENNTECH
WATER TREATMENT SOLUTIONS
 info@lennotech.com Tel. +31-152-610-900
 www.lennotech.com Fax. +31-152-616-289