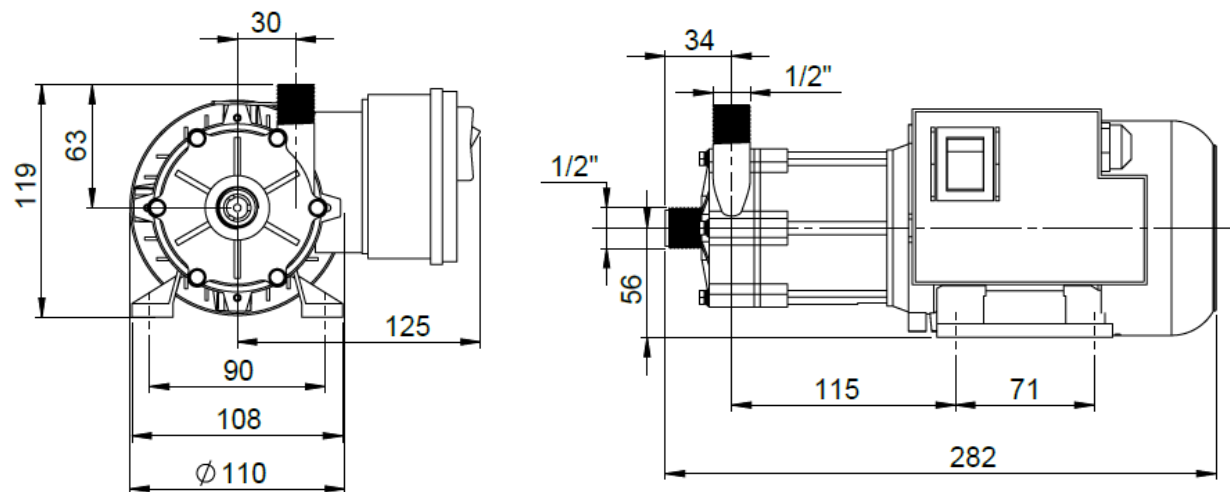
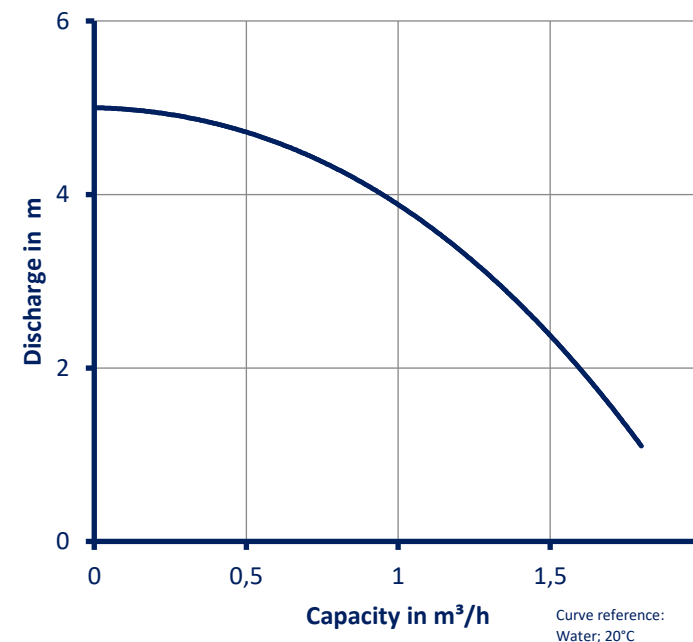


# CPMD-01 PP/ PVDF

Materials available	:PP or PVDF
O-ring	:EPDM or Viton
Max. flow	:1.8m <sup>3</sup> /h
Max. head	:5mtr.
Max. temperature	:PP 75°C; PVDF 90°C
Max. viscosity	:200 cSt
Motor	:0.09kW, 230V, 0.48Amp, 1Ph, 50Hz, IP55
	<i>Other voltage options and 60Hz available on request.</i>



**CPMD-01**



**LENNTECH**  
WATER TREATMENT SOLUTIONS

info@lennotech.com Tel. +31-152-610-900  
www.lennotech.com Fax. +31-152-616-289