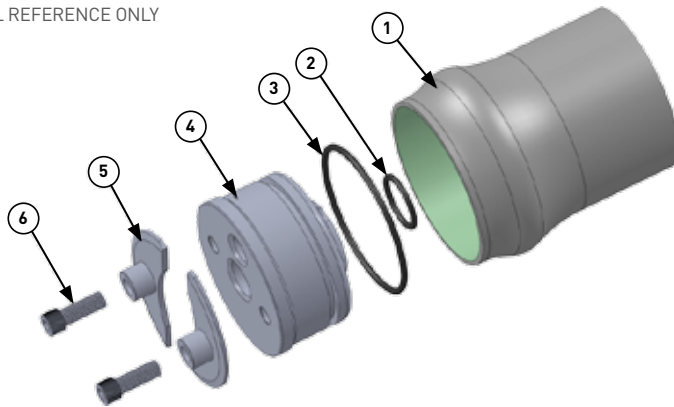


CODELINE® - ECOLINE 25-300

The different parts of the Codeline Ecoline 25-300 membrane housings are shown in the exploded view. The numbers on the exploded view are explained in the table.

EXPLODED VIEW & DETAILS

A GENERIC VIEW FOR VISUAL REFERENCE ONLY



PARTS TABLE

DRG REG	QTY	DESCRIPTION	MATERIAL	25-300
				PART NUMBER
1	1	Shell	Filament Wound Epoxy / Glass composite - Head Locking grooves integrally wound in place.	Order section
2	2	PWT Seal	Ethylene Propylene - O Ring	45296
3	2	Head Seal	Ethylene Propylene - O Ring	45313
4	2	End Plug	Engineering Thermoplastic	96005
5	4	Locking Segment	316 Stainless Steel	50371
6	4	Screw	304 Stainless Steel	45232
7*	AR	Saddle - Optional	Engineering Thermoplastic	45058
8*	AR	Strap - Optional	304 Stainless Steel - PVC Cushion	RO 1057

* Not shown in the exploded view

CODELINE®

Note: The information and data contained in this document are based on our general experience and are believed to be correct. They are given in good faith and are intended to provide a guideline for the selection and use of our products. Since the conditions under which our products may be used are beyond our control, this information does not imply any guarantee of final product performance and we cannot accept any liability with respect to the use of our products. The quality of our products is guaranteed under our conditions of sale. Existing industrial property rights must be observed.
EV CODELINE ECOLINE 25-300 EN 3915 © 2015 Pentair. All Rights Reserved.