



FILTER CARTRIDGES

SX, BX, CX

Extensive range of filter cartridges for every application in water filtration and water treatment, made with the most appropriate filtering and treatment media.

- **SX cartridges** fit to standard Atlas Filtri SX housings, as well as most standard housings available from the market.
- **Exclusive BX and CX cartridges with double o-ring collar** fit to proprietary Atlas Filtri BX and CX housings, DP housings, K housings, Depural Top housings.

The cartridges standard heights range from 4" to 50", depending on model and configuration.

The standard filter rates range from Ultra-filtration at 0.02 micron to nominal filtration at 100 micron, providing any kind of filtration requirement. The standard treatment media are made from Granular Activated Carbon (GAC), Carbon Block, Polyphosphate, Ionic Exchange Resins.

Custom made heights, filter rates, treatment media are available on request. Atlas Filtri cartridges are manufactured with the finest and most advanced materials under constant focus on innovative processing technologies and ceaseless modernization to ensure the absolute quality of our products.

A wide range of cartridges are certified under the most stringent certification procedures and standards: TIFQ (Italy), ACS (France), GOST (Russia).

Dedicated accessories are available on demand: FilterFit, centering device which holds cartridges perfectly standing inside DP housings; Containing Sponge, designed to hold in place treatment media for the filling of P type empty cartridges (containers).

CARTRIDGES CONFIGURATION

FOR FILTERS SX, BX, CX

Atlas Filtri® cartridges are available in a wide range of end-caps configurations to provide:

- the widest compatibility to housings for cartridges with standard configuration SX with flat seals and double open end (DOE). The major part of housings in the market are suitable to this standard.
- a range of quick-fit double o-ring cartridges with proprietary configurations BX, AX, CX to ensure: perfect watertight fit, safer for micro-filtration; simple and rapid maintenance operations; perfect cartridge standing and elimination of wrong positioning; market exclusivity.



SX

Standard double open end (DOE) configuration with flat seals.

Fit to SX housings, DP housings, Depural®, Depural® Top, Bravo DP, Oasis DP.



BX

Quick-fit configuration with 45 mm double o-ring collar.

Fit to Plus 3P BX housings, DP housings, K Plus 3P housings, Depural® Top, Bravo DP, Oasis DP.



CX

Quick-fit configuration with 57 mm double o-ring collar.

Fit to Plus 3P CX and K DP housings.

CERTIFICATIONS



The products are tested and certified under the most stringent procedures worldwide, achieving the sanitary certification GOST (Russia).

TERMS LEGEND

Filtration

Filter rate in micron.

Flow rate

In liters per hour (l/h), the flow rate for ideal filtration using a new cartridge.

Average life-span

The average working life of the cartridge. Working life depends on the type of application, and on the level of filtration, the cartridge material, the type of maintenance that can be carried out and, especially, depends on the quality of the water being treated. The quality of the water is an extremely variable factor and thus the average life-span is indicated for a mains water supply with average European potable water characteristics.

Maintenance

Type and frequency of applicable maintenance operations.

WATER TREATMENT PRODUCTS BULK

Polyphosphate crystals 10/20

- 0,5 Kg pack
- 1,5 Kg pack
- 25 kg pack

Polyphosphate crystals 6/10

- 0,5 Kg pack
- 1,5 Kg pack
- 25 kg pack

Granular activated carbon

- 0,3 kg pack
- 20 kg pack

Strong cationic resin (softening)

- 25 litres pack

Strong anionic resin (anti-nitrates)

- 25 litres pack

Mixed bed resin (demineralisation)

- 25 litres pack

SYMBOLS LEGEND



For domestic use



For technical and industrial use



CB-EC cartridges are the only environmentally friendly carbon block element, made with a proprietary technology reducing green house gas emissions in activated carbon production.

CARTRIDGES RANGE

Cartridges for mechanical filtration

WASHABLE CARTRIDGES

- RL** - polyester net. Filtration 50 micron.
- RL C** - polyester net. Filtration 50 micron.
- RL A** - stainless steel net. Filtration 70 micron.
- RS** - polyester net. Filtration 50 micron.
- RA** - stainless steel net. Filtration 70 micron.
- SA** - stainless steel net. Filtration 50 micron.

FILTRATION IN DEPTH

- FA** - wound polypropylene thread. Filtration from 1 to 100 micron.
- FA HOT** - wound polypropylene thread with special inner core, for hot water. Filtration from 1 to 100 micron.
- CPP** - melt-blown polypropylene smooth.
- PP** - melt-blown polypropylene grooved.
- TS** - polyester fabric. Filtration 50 micron.
- CS** - special paper. Filtration 25 micron.
- GA** - quartzite. Filtration 10 micron.
- AB** - ceramic. Filtration 0,45 micron.
- AC** - polypropylene-borosilicate multi-layer. Filtration 0,2 micron and 0,45 micron.

Cartridges for water treatment

GRANULAR ACTIVATED CARBON

Reduction of chlorine, taste, odour (CTO); volatile organic compounds (VOC) pesticides, insecticides, chlorinated organic compounds.

GRANULAR ACTIVATED CARBON

LA - granular activated carbon from coconut shell.

GRANULAR ACTIVATED CARBON AND FILTER MEDIUM

FA-CA - wound polypropylene thread. Filtration from 5 to 100 micron. Granular activated carbon from coconut shell.

CA - melt-blown polypropylene. Filtration 25 micron. Granular activated carbon from coconut shell.

BT CPP LA - melt-blown polypropylene. Filtration from 1 to 50 micron. Granular activated carbon from coconut shell.

ACTIVATED CARBON BLOCK

Reduction of chlorine, taste, odour (CTO); volatile organic compounds (VOC) pesticides, insecticides, chlorinated organic compounds, heavy metals (Pb), bacteria and virus.

CA SE - activated carbon block from coconut shell. Filtration from 0,3 to 5 micron.

CA-SE HF - activated carbon block from coconut shell and hollow-fiber membranes. Filtration 0,15 and 0.02 micron. Antibacterial.

CB-EC - activated carbon block from coconut shell. Filtration from 1 to 10 micron.

POLYPHOSPHATE CRYSTALS

Anti-scale treatment

HA - polyphosphate crystals suitable for drinking water when used with Dosaprop proportional dosing systems, in compliance with UE Directive 80/778.

BT CPP HA - melt-blown polypropylene. Filtration from 1 to 50 micron. Polyphosphate crystals suitable for drinking water when used with Dosaprop proportional dosing systems, in compliance with UE Directive 98/83/CE.

BT RL HA - polyester net. Filtration 50 micron. Polyphosphate crystals suitable for drinking water when used with Dosaprop proportional dosing systems, in compliance with UE Directive 98/83/CE.

FA HA - wound polypropylene thread. Filtration from 5 to 100 micron. Polyphosphate crystals suitable for drinking water when used with Dosaprop proportional dosing systems, in compliance with UE Directive 98/83/CE.

CPP HA - melt-blown polypropylene. Filtration 5 and 25 micron. Polyphosphate crystals suitable for drinking water when used with Dosaprop proportional dosing systems, in compliance with UE Directive 98/83/CE.

IONIC EXCHANGE RESINS

QA CF - cationic resin. Reduction of total hardness.

QA AF - anionic resin. Reduction of nitrates.

QA LM - mixed bed of cationic and anionic resins. Demineralization.

EMPTY CONTAINERS

P - containers to be filled up with water treatment products.



CPP HA melt-blown polypropylene and polyphosphate crystals

Sediment filtration, anti-scale and anti-corrosion conditioning.
Max life-span: 6 months.
Maintenance: none.

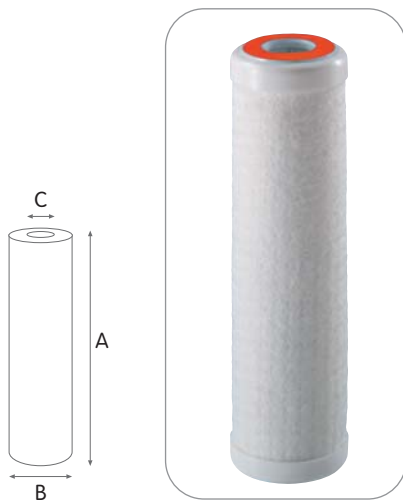
WORKING CONDITIONS

Max working temperature _____ 35°C (95°F)
Max total hardness _____ 50°f (500 ppm CaCO₃)
Remark - the treated water can be heated up to 75°C - 80°C, above that temperature the polyphosphate loses gradually its effectiveness.

SPECIFICATIONS

Non-toxic materials, suitable for drinking water.
Filter medium: polypropylene.
End caps: polypropylene.
Flat seals SX: SEBS. O-rings BX: EPDM.
Treatment material: polyphosphate crystals.

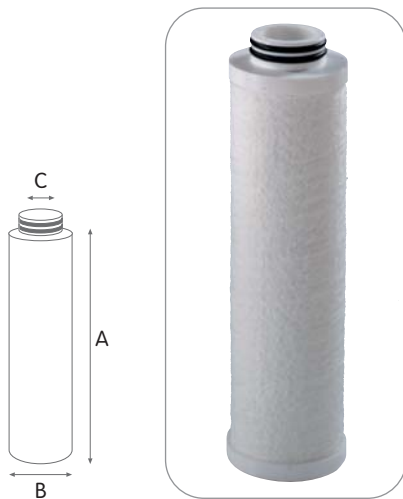
Melt-blown polypropylene filter cartridge filled with polyphosphate crystals for anti-scale water conditioning providing pre-filtration at 25 micron and prevention form scale deposit and calcareous incrustation and protection from corrosion for water heaters, washing machines, pipes. CPP HA cartridges are available with height from 5"M, 10" and 20".



CPP HA SX

MELT BLOWN AND POLIPHOSPHATE CARTRIDGES WITH DOUBLE OPEN END (DOE)

CODE	MODEL	NOMINAL HEIGHT	NOMINAL FILTRATION MICRON	NOMINAL FLOW/RATE l/h	DIMENSIONS MM		
					A	B	C
OD 1,77" x ID 0,71"							
RA5700008	CPP HA MIGNON SX 5 mcr	5" M	5	500	122	50	20
RA5700011	CPP HA MIGNON SX 25 mcr	5" M	25	500	122	50	20
OD 2,40" x ID 1,10"							
RA5795108	CPP HA 10 SX 5 mcr	10"	5	1300	250	70	25
RA5795111	CPP HA 10 SX 25 mcr	10"	25	1300	250	70	25
RA5797108	CPP HA 20 SX 5 mcr	20"	5	1600	505	70	25
RA5797111	CPP HA 20 SX 25 mcr	20"	25	1600	505	70	25



CPP HA BX

MELT BLOWN AND POLIPHOSPHATE CARTRIDGES WITH DOUBLE O RING COLLAR 45 MM

CODE	MODEL	NOMINAL HEIGHT	NOMINAL FILTRATION MICRON	NOMINAL FLOW/RATE l/h	DIMENSIONS MM		
					A	B	C
OD 2,40" x ID 1,10"							
RA5795208	CPP HA 10 BX 5 mcr	10"	5	1300	250	70	25
RA5795211	CPP HA 10 BX 25 mcr	10"	25	1300	250	70	25
RA5797208	CPP HA 20 BX 5 mcr	20"	5	1600	505	70	25
RA5797211	CPP HA 20 BX 25 mcr	20"	25	1600	505	67	25

CPP HA cartridges are available in a variety of:

CONFIGURATIONS:

- SX standard configuration double open end (DOE) available for every height and diameter.
- BX proprietary configuration with double o-ring collar 45 mm, suitable to PLUS 3P BX housings, DP housings, K PLUS 3P housings.

MODELS:

- CPP HA MIGNON series 5"M OD 1.77" ID 0.71, SX configuration.
- CPP HA series 10" and 20" OD 2.40" ID 1.10", SX, BX configurations.

CERTIFICATIONS

**In compliance with
italian regulation
D.M. 174/2004**

CPP HA cartridges are tested and certified under the most stringent procedures worldwide, achieving the **certification of compliance with DM 174/2004.**

FLOW RATE vs PRESSURE DROP Δp

Tests carried on 10" elements type **CPP HA 10 SX**.
Testing mode: 20°C, 3 BAR

