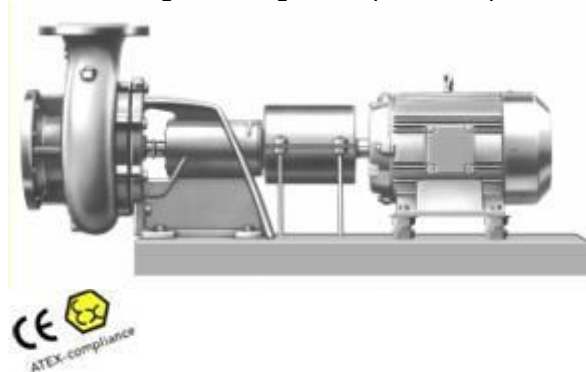


Series NS

Volute Casing Centrifugal Pump in base plate design up to PN 16



Pumped liquid

Pure water, industrial water, sea water, condensate, oils, brines, lyes, heat transfer liquids. The liquids to be pumped must not contain any abrasive particles nor chemically attack the construction materials of the pumps.

Main fields of application

Water supply, water treatment, irrigation systems, air conditioning, dust separation and spray-coat plants, cooling, heating,

Performance data Series NS

| | | | |
|--------------------|----|-------------|-------------------|
| Capacity | Q | up to 780 | m ³ /h |
| Delivery head | H | up to 145 | m |
| Discharge pressure | pd | up to 10/16 | bar |
| Fluid temperature | t | up to 140 | °C |

Construction features

- Rated output acc. to DIN EN 733
- Base plate design (pump and motor mounted on a base plate)
- Dry installation
- Horizontal installation
- Bearing bracket design
- Spacer coupling (optional)
- 2-stage pump type at defined sizes

LENNTECH
WATER TREATMENT SOLUTIONS

info@lennotech.com Tel. +31-152-610-900

www.lennotech.com Fax. +31-152-616-289