

3M™ Housings 1N Series

Cartridge Filter Housings

Attention: This housing corresponds to the Directive 97/23/CE - Article 3.3
Please consult 3M Purification for any other classification.

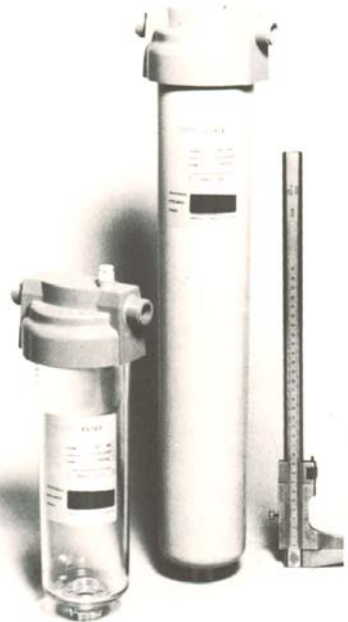
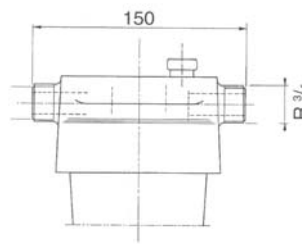
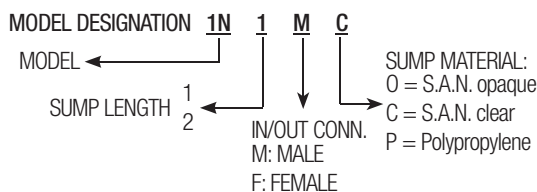
Cartridge Filter Housing Model 1N

The model 1N plastic housing is manufactured from a high impact plastic for added strength and has been specifically designed to meet most industrial application requirements for liquid filtration.

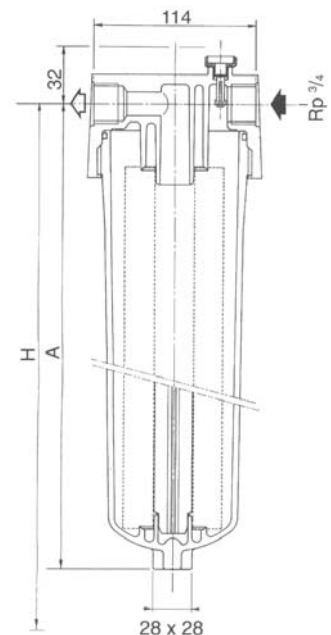
- The model 1N is available with R 3/4 or Rp 3/4 inlet and outlet connections.
- The model 1N may be fixed with a mounting bracket (optional).
- Double sump length allows extended cartridge change-out and reduces maintenance costs.
- No tool is needed for the threaded sump connection.

Inlet - outlet	R 3/4 or Rp 3/4
Max. operating pressure	10 bar at 20 °C
Approx. shipping weight	1N1 : 1.2 kg 1N2 : 1.6 kg
Head	Talc filled polypropylene
Sump	S.A.N.: clear or opaque Talc filled polypropylene
O-ring	Nitrile
Vent plug	Polypropylene

MODEL	A	H
1 N 1	318	360
1 N 2	568	610

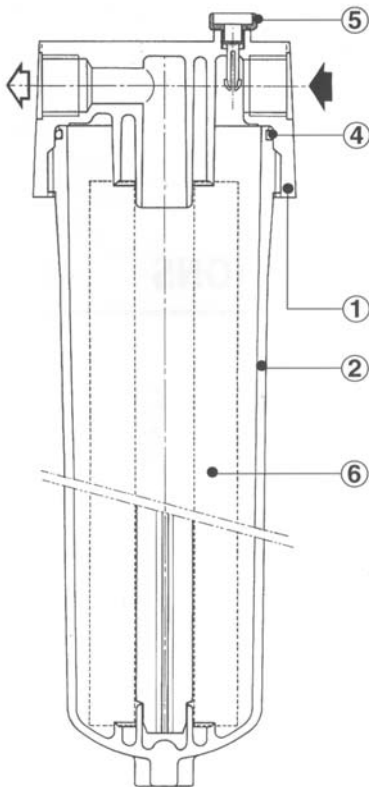


Type 1N1-MC Type 1N2-MP



CONNECTION	SUMP				MODEL	REFERENCE
	MATERIAL	CLEAR	OPAQUE	LENGTH		
R 3/4	S.A.N.	X		1	1N1-MC	FQ100078218
			X	1	1N1-MO	FQ100078341
		X		2	1N2-MC	FQ100078549
	POLYPROPYLENE		X	1	1N1-MP	FQ100078275
			X	2	1N2-MP	FQ100078366
		X		2	1N2-MP	FQ100078366
Rp 3/4	S.A.N.	X		1	1N1-FC	FQ100078309
			X	1	1N1-FO	FQ100078234
		X		2	1N2-FC	FQ100078556
	POLYPROPYLENE		X	1	1N1-FP	FQ100078242
			X	2	1N2-FP	FQ100078226
		X		2	1N2-FP	FQ100078226

* Versions without mounting bracket



Filter Cartridge Dimensions

Use 3M Purification standard cartridges with:

- double open end
- length 248 mm (9 ¾") for 1N1 or 496 mm (19 ½") for 1N2.

Filter Cartridge Identification

The cartridge identification is indicated on the filter cartridge packaging. The identification should be used for cartridge replacement orders.

Maximum Flow Rate

The maximum flow rate allowed is 2.2 m³ h⁻¹. However, maximum flow rate is usually dictated by the particular specification of the filter cartridge used.

Housing Installation

- Mount the housing vertically with the sump downwards.
- Keep enough space below (see dimension H).
- Connect inlet and outlet corresponding to the flow direction indicated by the arrow.
- The head can be fixed to the wall by an optional mounting bracket.

Operating Instructions

- The 1N1 filter housing is for liquid filtration only.
- Do not use for compressed air or other gases.
- The filter cartridge should be replaced when the maximum allowed pressure loss for the cartridge has been reached (*see specific cartridge specifications*).
- Before unscrewing the sump, close the inlet and outlet valves and open the vent plus (*item 5*). This ensures zero pressure in the filter housing.
- Tighten and untighten the sump manually when changing the cartridge. Do not overtighten.
- Vent by opening the vent plug (*item 5*) until the housing is completely full of fluid, then close vent.

Spare Parts

Consult 3M Purification for ordering spare parts indicating : part numbers, descriptions and quantities.

Table 4: Spare Parts List

ITEM	DESCRIPTION	PART OF MATERIAL	PART NUMBER
1	Head R ¾	Talc filled polypropylene	FQ100074118
2	Head Rp ¾	Talc filled polypropylene	FQ100074126
	Sump lg 1	S.A.N.: opaque	FQ100078358
	Sump lg 1	S.A.N.: clear	FQ100078200
	Sump lg 1	Talc filled polypropylene	FQ100078283
	Sump lg 2 with centre post	S.A.N.: clear	FD000064330
	Sump lg 2 with centre post	Talc filled polypropylene	FD000074332
4	O-Ring	Nitrile	FD000074373
5	Vent plug + O-ring	Polypropylene/ Nitrile	FD000074456
6	Cartridge	See the individual cartridge specifications	

Important Notice

3M Purification MAKES NO WARRANTIES, EXPRESS OR IMPLIED, INCLUDING, BUT NOT LIMITED TO, ANY IMPLIED WARRANTY OF MERCHANTABILITY OR FITNESS FOR A PARTICULAR PURPOSE. Since a variety of factors can affect the use and performance of a 3M Purification product in a particular application, some of which are uniquely within the user's knowledge and control, user is responsible for determining whether or not the 3M Purification product is fit for a particular purpose and suitable for user's method of application.

Limited Warranty

3M Purification warrants it this product to be free from defects in material and workmanship during normal use for a period of one (1) year from the date of shipment from the factory. If the Product(s) is (are) defective within this warranty period, your exclusive remedy and 3M Purification's sold obligations shall be, at 3M Purification's option, to replace or repair the Product(s) or refund the original purchase price of the Product(s). This warranty does not apply to failures that result from abuse, misuse, alteration or damage not caused by 3M Purification or failure to properly follow installation and use instructions.

Limitation of Liability: 3M Purification will not be liable for any loss or damage arising from the use of the Product(s), whether direct, indirect, special, incidental, or consequential, regardless of the legal theory asserted, including warranty, contract, negligence or strict liability. Some states do not allow the exclusion or limitation of incidental or consequential damages, so the above limitation may not apply to you.

This warranty gives you specific legal rights and you may have other rights which vary from state to state, or country to country.

For more information contact:

info@lenntech.com

www.lenntech.com

Tel. +31-15-26.10.900

Fax. +31-15-26.16.289