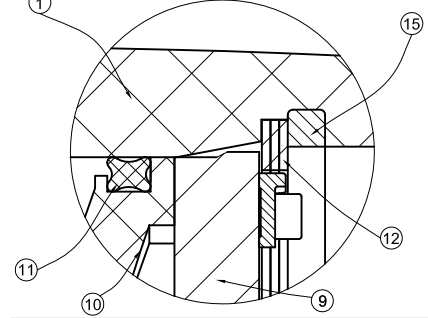
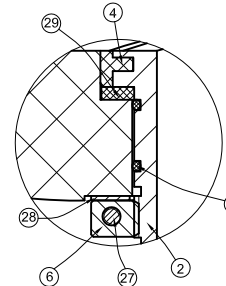
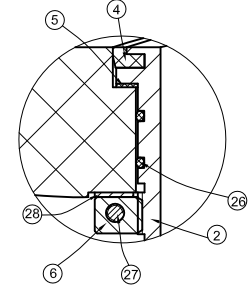


BEARING PLATE 600 PSI	23600-09-01	SB-209,6061-T651	20316	ASME CODE PRODUCT
DESCRIPTION	DRAWING NO.	MATERIAL	COMPUTER NO.	REMARK

1.5"-2.5" SIDE PORT

3" SIDE PORT



SIDE PORT O-RING	Ø80(LD)*Ø2.65	3"	10392
	Ø70(LD)*Ø2	2.5"	10425
	Ø55(LD)*Ø2	2"	10424
	Ø42(LD)*Ø2	1.5"	10423
	23100-07-04	3"	10491
CURVED SIDE PORT SEAL	23100-07-02	2.5"	10497
	23100-07-01	2"	10495
	23100-07-03	1.5"	10493
SIDE PORT SEAL GASKET	23100-33	2.5"	10498
	23100-37	2"	10496
	23100-29	1.5"	10494
SIDE PORT GASKET	23100-46-04	3"	20286
	23100-46-03	2.5"	20285
	23100-46-02	2"	20280
	23100-46-01	1.5"	20279
	23100-45-04	3"	20458
	23100-45-03	2.5"	20457
	23100-45-02	2"	20456
	23100-45-01	1.5"	20455
SIDE PORT NUT	23600-02-04-04	U 3"	20484
	23600-02-02-05	T 2.5"	20622
	23600-02-01-05	S 2"	20621
	23600-02-03-05	R 1.5"	20623
DESCRIPTION	DRAWING NO.	CODE	SIZE
			COMPUTER CODE

- 1.Flexible piping should be used on permeate connection to manifold.
- 2.Side port misalignment can not exceed 0.7mm in any direction.
- 3.MPV is not designed for negative pressures.

PERMEATE PORT 600 PSI	23300-10-08	UF	VICTAULIC 1.5"	10503
	23300-10-09	N	NPT 1 1/2" MALE THREAD	10846
	23300-10-06	M	NPT 1 1/4" MALE THREAD	10087
	23300-10-05	S	MECHANICAL COUPLING 1"-SS	10072
	23300-10-05	V	MECHANICAL COUPLING 1"-ABS	10072
	23300-10-05	J	UNION ADAPTOR 1"(1.32")	10072
	23300-10-05	F	NPT 1" FEMALE THREAD	10072
	23300-10-05	G	Rp 1" FEMALE THREAD	10072
	23300-10-05	H	UNION ADAPTOR 1"(32mm)	10072
DESCRIPTION	DRAWING NO.	CODE	PERMEATE PORT SPECS	COMPUTER CODE

SHELL Length Code	L Inch (mm)	P Standard Inch (mm)	S Span Inch (mm)	EMPTY WEIGHT TWO SIDEPORTS lb (kg)
-1	59.8 (1519)	46 (1168)	1@16 (420)	124 (56.4)
-1.5	79.8 (2027)	66 (1676)	1@35 (900)	137 (61.6)
-2	99.8 (2535)	86 (2184)	1@56 (1422)	149 (67.6)
-3	139.8 (3551)	126 (3200)	1@80 (2032)	174 (78.8)
-4	179.8 (4567)	166 (4216)	2@64 (1626)	198 (90)
-5	219.8 (5583)	206 (5232)	2@78 (1981)	223 (101.2)
-6	259.8 (6599)	246 (6248)	2@92 (2337)	248 (112.4)
-7	299.8 (7615)	286 (7264)	2@106 (2692)	273 (123.6)
-7.5	319.8 (8123)	306 (7772)	2@114 (2896)	285 (129.2)
-8	339.8 (8631)	326 (8280)	2@120 (3048)	297 (134.8)

29	SIDE PORT WASHER	23100-26	2	304	20303
28	SIDE PORT GASKET	SEE "SIDE PORT CONFIGURATIONS"	2	SA-213, TP316L	SEE THE CHART
27	SIDE PORT BOLT	SEE "SIDE PORT CONFIGURATIONS"	4	M4*16 STAINLESS STEEL, GRADE 8.8	20435
26	SIDE PORT O RING	SEE "SIDE PORT CONFIGURATIONS"	4	EPDM	SEE THE CHART
25	ALUMINUM PLATE LABEL		2	ADHESIVE LABEL	40844
24	LOGO LABEL		2	ADHESIVE LABEL	40255
23	SERIAL NO LABEL		1	ART PAPER 20*53	40425
22	RETAINING BLOCK	23300-36-01	8	316	20183-1
21	SCREW	GB819-85	16	M5*14 STAINLESS STEEL	20833
20	STRAP PROTECTIVE JACKET	(23300-19)EC30-08-19	2*	3"SOFT PVC	10188
19	STRAP SCREW		4*	M8*90 STAINLESS STEEL, GRADE 8.8	10129
18	STRAP NUT	(23300-18)EC30-08-18	4*	Hpb651-9	20123
17	STRAP	(23300-17)EC30-08-17	2*	A666, 304	20123
16	SADDLE	(23300-16)EC30-08-16	2*	TPU(S60D)	10141
15	EMBEDDED RING	(23300-15)EC30-08-15	2	SA-213, TP316L	20074
14	ADAPTOR O RING	(23300-14)EC30-08-14	4	EPDM	10182
13	ADAPTOR	(23300-13)EC30-08-13	2	ABS, CHMIIE757K	10125
12	RETAINING RING	(23300-12)EC30-08-12	2	A580, 316	20025
11	HEAD SEAL	23300-26	2	EPDM	10175
10	PERMEATE PORT(600PSI)	SEE "PERMEATE PORT CONFIGURATIONS"	2	PF062-3	SEE THE CHART
9	BEARING PLATE	SEE "BEARING PLATE CONFIGURATIONS"	2	SEE THE CONFIGURATIONS	SEE THE CHART
8	PERMEATE PORT O RING	(23300-08)EC30-08-08	2	EPDM	10181
7	THRUST CONE	(23300-07)EC30-08-07	1	PF062-3	10192
6	SIDE PORT NUT	SEE "SIDE PORT CONFIGURATIONS"	2	316L	SEE THE CHART
5	SIDE PORT SEAL GASKET	SEE "SIDE PORT CONFIGURATIONS"	2	EPDM	SEE THE CHART
4	CURVED SIDE PORT SEAL	SEE "SIDE PORT CONFIGURATIONS"	2	EPDM	SEE THE CHART
3	PERMEATE RETAINING RING	(23300-03)EC30-08-03	2	A580, 316	20107
2	SIDE PORT	SEE "SIDE PORT CONFIGURATIONS"	2	SA-789, S31803	SEE THE CHART
1	SHELL	23600-01-04	1	FIBER GLASS + EPOXY	10192
ITEM	DESCRIPTION	DRAWING NO.	QTY	MATERIAL	COMPUTER CODE

TECHNICAL REQUIREMENT

1. MANUFACTURED IN CONFORMITY TO « ASME BOILER&PRESSURE VESSEL CODE » SECTION X : « FIBER REINFORCED PLASTIC PRESSURE VESSELS » –CLASS I VESSELS;
2. MAX OPERATING PRESSURE: 600psi (4.1368MPa) , ALLOWABLE TEMPERATURE RANGE: 20°F(-7°C)~120°F(49°C), NOT APPLICABLE TO CORROSIVE LIQUID;
3. LEAKAGE TEST: HYDRO TEST, TESTED AT 1.1 TIMES ITS OPERATING PRESSURE, I.E.: 660psi (4.5505MPa) , SAMPLE RATE: 100%;

NOTE: DIMENSIONS IN PARENTHESIS ARE REFERENCE ONLY.

9	ADD THE NOTES:			2013/02/05
8	RETAINING BLOCK AND SCREW CHANGED; HEAD SEAL CHANGED:			2012/09/17
7	SIZE CHANGED:			2011/07/04
6	HEAD SEAL CHANGED:			2011/01/28
5	15 SHELL SADDLE DISTANCE CHANGED; INCREASE OR CHANGE SIZE			2010/04/14
4	ADD 1.5"2" SIDE PORT CONFIGURATION			2010/01/28
REVISION			SIGNATURE	DATA
REFERENTIAL PLASTIC SHRINKAGE (IF NECESSARY):				
THE DIMENSIONS ARE FOR REFERENCE ONLY				
WAVE CYBER (SHANGHAI) CO., LTD.				
DESIGN	NAME	DATE	SCALE	MATERIAL
INSPECTION			1:7	
APPROVAL			QUANTITY	SMOOTHNESS
THIS PRODUCT DRAWING CAN NOT BE COPIED AND/OR USED WITHOUT PRIOR WRITTEN APPROVAL OF WAVE CYBER.			COMPUTER CODE	DRAWING NO.
DO NOT MEASURE THE DIMENSIONS.			UNIT: MM	VERSION NO.
			23600-00-01	9
				TOTAL PAGE: 1

LENNTECH

info@lenntech.com Tel. +31-152-610-900
www.lenntech.com Fax +31-152-616-289