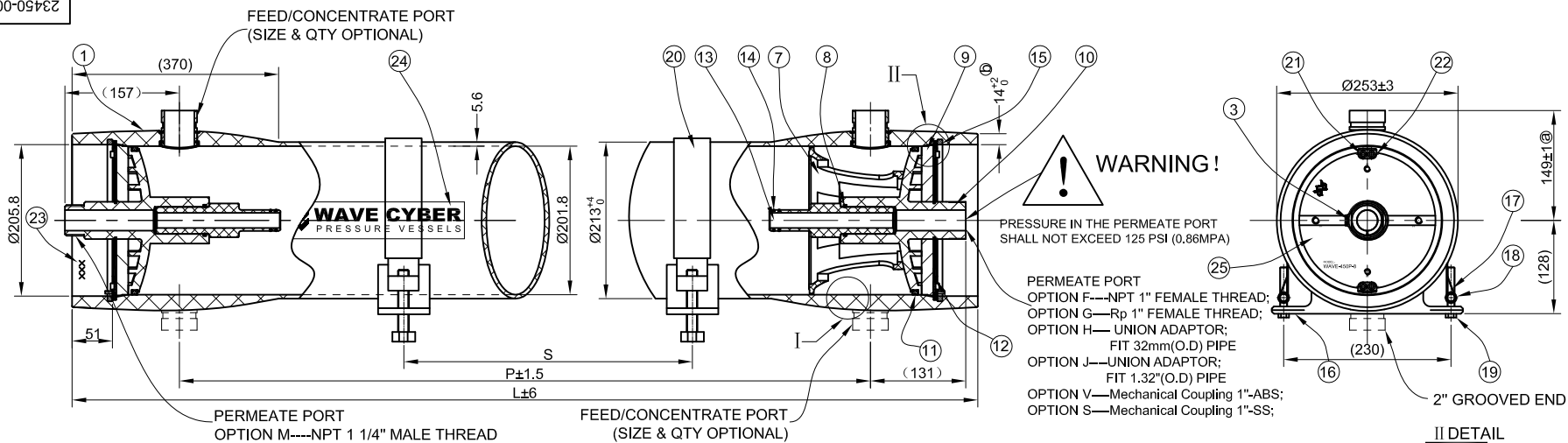


23450-00



**WARNING!**  
 PRESSURE IN THE PERMEATE PORT SHALL NOT EXCEED 125 PSI (0.86MPa)

PERMEATE PORT  
 OPTION F---NPT 1" FEMALE THREAD;  
 OPTION G---Rp 1" FEMALE THREAD;  
 OPTION H---UNION ADAPTOR;  
 FIT 32mm(O.D) PIPE  
 OPTION J---UNION ADAPTOR;  
 FIT 1.32"(O.D) PIPE  
 OPTION V---Mechanical Coupling 1"-ABS;  
 OPTION S---Mechanical Coupling 1"-SS;

**LENNTECH**  
 info@lenntech.com Tel. +31-152-610-900  
 www.lenntech.com Fax. +31-152-616-289

- 1.Flexible piping should be used on permeate connection to manifold.
- 2.Side port misalignment can not exceed 0.7mm in any direction.
- 3.MPV is not designed for negative pressures.

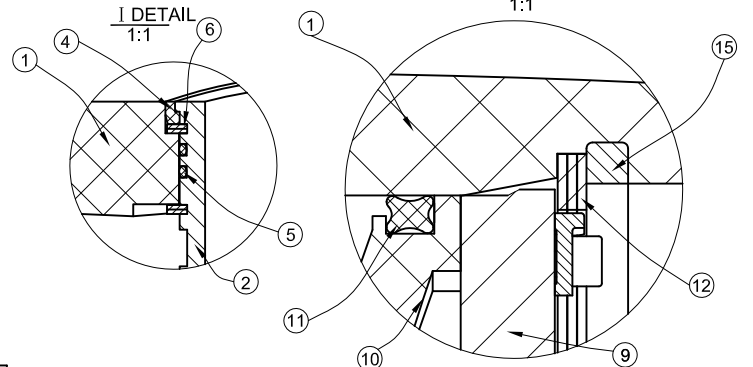
SIDEPORT	23450-02-02	T	2.5"	20088
	23450-02-01	S	2"	20087
	23450-02-03	R	1.5"	20089
SIDEPORT O RING	Ø70(I.D.)*Ø2		2.5"	10425
	Ø55(I.D.)*Ø2		2"	10424
	Ø42(I.D.)*Ø2		1.5"	10423
SHELL	(23450-01-02)EC45-08-01/2		2.5"	
	(23450-01-01)EC45-08-01/1		2"	
	(23450-01-03)EC45-08-01/3		1.5"	
CURVED SIDEPORT SEAL	23300-04-02-01		2.5"	10614
	23300-04-01-01		2"	10613
	23300-04-03-01		1.5"	10615
SIDE PORT RETAINING RING	(23300-06-02)EC30-08-06/2		2.5"	20112
	(23300-06-01)EC30-08-06/1		2"	20111
	(23300-06-03)EC30-08-06/3		1.5"	20113
DESCRIPTION	DRAWING NO.	CODE	SIZE	COMPUTER CODE

BEARING PLATE	23450-09-01	SB-209.6061-T651	20314	ASME CODE PRODUCT
450 PSI	23450-09	SB-211.6061-T6	20060	
DESCRIPTION	DRAWING NO.	MATERIAL	COMPUTER CODE	REMARK

PERMEATE PORT	23300-10-08	UF	CONNECTED WITH VICTAULIC	10502
450 PSI	23300-10-09	N	NPT 1 1/2" MALE THREAD	10845
	23300-10-06	M	NPT 1 1/4" MALE THREAD	10086
	23300-10-05	S	MECHANICAL COUPLING 1"-SS	10071
	23300-10-05	V	MECHANICAL COUPLING 1"-ABS	10071
	23300-10-05	J	UNION ADAPTOR(American Standard)	10071
	23300-10-05	F	NPT 1" FEMALE THREAD	10071
	23300-10-05	G	Rp 1" FEMALE THREAD	10071
	23300-10-05	H	UNION ADAPTOR(National Standard)	10071
DESCRIPTION	DRAWING NO.	CODE	PERMEATE PORT SPECS	COMPUTER CODE

SHELL Length Code	L Inch (mm)	P Standard Inch (mm)	S Span Inch (mm)	Shell Weight lb (kg)
-1	58.7 (1491)	47 (1194)	1@28 (711)	57.2 (26)
-1.5	78.7 (1999)	67 (1702)	1@42 (1067)	67.1 (30.5)
-2	98.7 (2507)	87 (2210)	1@56 (1422)	74.8 (34)
-3	138.7 (3523)	127 (3226)	1@80 (2032)	92.4 (42)
-4	178.7 (4539)	167 (4242)	2@64 (1626)	110 (50)
-5	218.7 (5555)	207 (5258)	2@78 (1981)	127.6 (58)
-6	258.7 (6571)	247 (6274)	2@92 (2337)	145.2 (66)
-7	298.7 (7587)	287 (7290)	2@106 (2692)	162.8 (74)
-7.5	318.7 (8095)	307 (7798)	2@114 (2896)	172.7 (78.5)
-8	338.7 (8603)	327 (8306)	2@120 (3048)	180.4 (82)

25 ALUMINUM PLATE LABEL		2	ADHESIVE LABEL	40943	
24 LOGO LABEL		2	ADHESIVE LABEL	40255	
23 SERIAL NO. LABEL		1	ARTPAPER 20*53	40425	
22 RETAINING BLOCK	23300-36-01	4	B16	20183-1	
21 SCREW	GB818-86	8	M5*14 STAINLESS STEEL	20833	
20 STRAP PROTECTIVE JACKET	(23300-19)EC30-08-19	2or3	SOFT PVC	10188	
19 STRAP SCREW		4or6	M8*90 STAINLESS STEEL GRADE 8.8	20129	
18 STRAP NUT	(23300-19)EC30-08-18	4or6	Hpb51-9	20123	
17 STRAP	(23300-17)EC30-08-17	2or3	A686_304	20123	
16 SADDLE	(23300-10)EC30-08-16	2or3	TPU (3860)	10141	
15 EMBEDDED RING	(23450-15)EC45-08-15	2	SA-213_ TP316L	20073	
14 ADAPTOR O RING	(23300-14)EC30-08-14	4	EPDM	10182	
13 ADAPTOR(Ø29.1)	(23300-13)EC30-08-13	2	ABS CHIMI 757K	10125	
12 RETAINING RING	(23300-12)EC30-08-12	2	SA-479.316	20026	
11 HEAD SEAL	23300-28	2	EPDM	10175	
10 PERMEATE PORT(450PSI)	SEE "PERMEATE PORT CONFIGURATIONS"	2	PF062-3	SEE THE CHART	
9 BEARING PLATE	SEE "BEARING PLATE CONFIGURATIONS"	2	SEE "BEARING PLATE CONFIGURATIONS"	SEE THE CHART	
8 PERMEATE PORT O RING	(23300-08)EC30-08-08	2	EPDM	10181	
7 THRUST CONE	(23300-07)EC30-08-07	4	PF062-3	10182	
6 SIDE PORT RETAINING RING	SEE "SIDE PORT CONFIGURATIONS"	4	SA-479.316	SEE THE CHART	
5 SIDE PORT O RING	SEE "SIDE PORT CONFIGURATIONS"	4	EPDM	SEE THE CHART	
4 CURVED SIDE PORT SEAL	SEE "SIDE PORT CONFIGURATIONS"	2	EPDM	SEE THE CHART	
3 PERMEATE RETAINING RING	(23300-03)EC30-08-03	2	A580_316	20107	
2 SIDE PORT	SEE "SIDE PORT CONFIGURATIONS"	2	SA-213_ TP316L	SEE THE CHART	
1 SHELL	SEE "SIDE PORT CONFIGURATIONS"	1	FIBER GLASS + EPOXY	SEE THE CHART	
ITEM	DESCRIPTION	DRAWING NO.	QTY	MATERIAL	COMPUTER CODE



**TECHNICAL REQUIREMENT**

1. MANUFACTURED IN CONFORMITY TO « ASME BOILER&PRESSURE VESSEL CODE » SECTION X : « FIBER REINFORCED PLASTIC PRESSURE VESSELS » -CLASS I VESSELS;
2. MAX OPERATING PRESSURE: 450Psi ( 3.1026MPa ) , ALLOWABLE TEMPERATURE RANGE: 20°F(-7°C) ~120°F(49°C), NOT APPLICABLE TO CORROSIVE LIQUID;
3. LEAKAGE TEST: HYDRO TEST, TESTED AT 1.1 TIMES ITS OPERATING PRESSURE, I.E.: 495Psi ( 3.4129MPa ) , SAMPLE RATE: 100%;

NOTE: DIMENSIONS IN PARENTHESIS ARE REFERENCE ONLY.

16	ADD THE NOTES;			2013/02/06
15	RETAINING BLOCK AND SCREW CHANGED; HEAD SEAL CHANGED;			2012/09/04
14	Ø INCREASE TOLERANCE;			2011/07/04
13	HEAD SEAL CHANGED;			2011/02/11
REVISION	DESCRIPTION	SIGNATURE	DATE	
REFERENTIAL PLASTIC SHRINKAGE (IF NECESSARY);		THE DIMENSIONS ARE FOR REFERENCE ONLY		
SIGNATURE		WAVE CYBER (SHANGHAI) CO., LTD.		
DESIGN	NAME	DATE	SCALE	MATERIAL
INSPECTION			1:6	
APPROVAL			QUANTITY	SMOOTHNESS
THIS PRODUCT DRAWING CAN NOT BE COPIED AND/OR USED WITHOUT PRIOR WRITTEN APPROVAL OF WAVE CYBER.		COMPUTER CODE	MODEL	WAVE-450P-8
		PROJECTION	DESCRIPTION	450P-8 MEMBRANE HOUSING
		DO NOT MEASURE THE DIMENSIONS.	DRAWING NO.	VERSION NO.
		UNIT: MM	(23450-00)EC45-08-00	16
		TOTAL PAGE: 1		