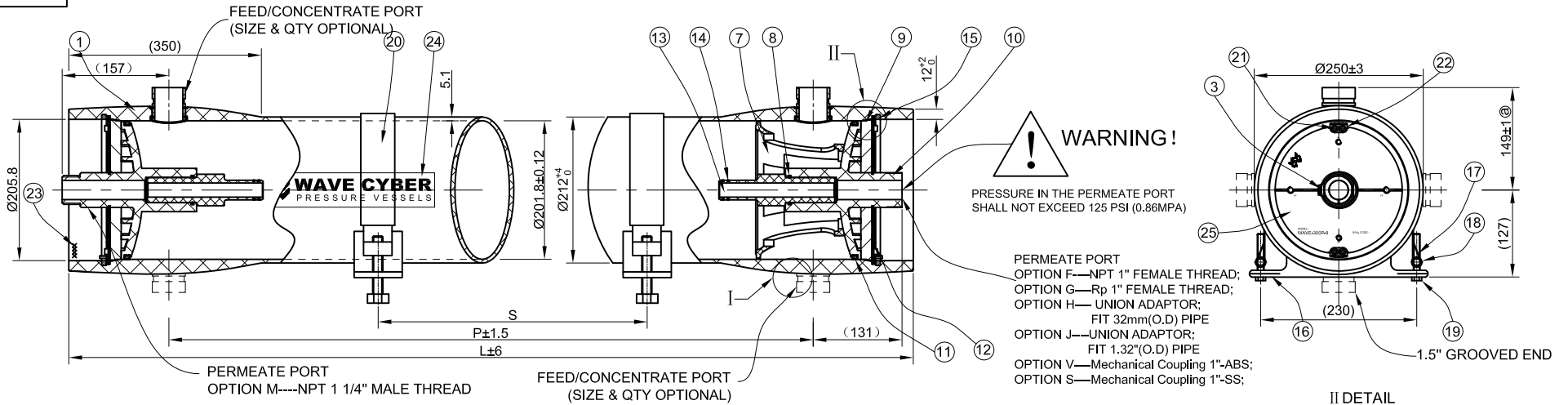


00-003E2



**WARNING!**  
PRESSURE IN THE PERMEATE PORT SHALL NOT EXCEED 125 PSI (0.86MPa)

PERMEATE PORT  
OPTION F—NPT 1" FEMALE THREAD;  
OPTION G—Rp 1" FEMALE THREAD;  
OPTION H—UNION ADAPTOR;  
FIT 32mm(O.D) PIPE  
OPTION J—UNION ADAPTOR;  
FIT 1.32"(O.D) PIPE  
OPTION V—Mechanical Coupling 1"-ABS;  
OPTION S—Mechanical Coupling 1"-SS;

**LENNTECH**  
info@lennotech.com Tel. +31-152-610-900  
www.lennotech.com Fax. +31-152-616-289

1. Flexible piping should be used on permeate connection to manifold.
2. Side port misalignment can not exceed 0.7mm in any direction.
3. MPV is not designed for negative pressures.

SIDE PORT	23300-02-02		2.5"	20084
	23300-02-01		2"	20083
	23300-02-03		1.5"	20085
SIDE PORT O RING	Ø70(I.D.)×22		2.5"	10425
	Ø55(I.D.)×22		2"	10424
	Ø42(I.D.)×22		1.5"	10423
SHELL	(23300-01-02)EC30-08-01/2		2.5"	
	(23300-01-01)EC30-08-01/1		2"	
	(23300-01-03)EC30-08-01/3		1.5"	
CURVED SIDE PORT SEAL	23300-04-02-01		2.5"	10614
	23300-04-01-01		2"	10613
	23300-04-03-01		1.5"	10615
SIDE PORT RETAINING RING	(23300-06-02)EC30-08-06/2		2.5"	20112
	(23300-06-01)EC30-08-06/1		2"	20111
	(23300-06-03)EC30-08-06/3		1.5"	20113
DESCRIPTION	DRAWING NO.	CODE	SIZE	COMPUTER CODE

BEARING PLATE	23300-09-01	SB-209.6061-T651	20315	ASME CODE PRODUCT
300 PSI	23300-09	SB-211.6061-T6	20059	
DESCRIPTION	DRAWING NO.	MATERIAL	COMPUTER CODE	REMARK

PERMEATE PORT 300 PSI	23300-10-08	UF	CONNECTED WITH VICTAULIC	10430
	23300-10-09	N	NPT 1 1/2" MALE THREAD	10844
	23300-10-06	M	NPT 1 1/4" MALE THREAD	10085
	23300-10-05	S	MECHANICAL COUPLING 1"-SS	10070
	23300-10-05	V	MECHANICAL COUPLING 1"-ABS	10070
	23300-10-05	J	UNION ADAPTOR(American Standard)	10070
	23300-10-05	F	NPT 1" FEMALE THREAD	10070
	23300-10-05	G	Rp 1" FEMALE THREAD	10070
23300-10-05	H	UNION ADAPTOR(National Standard)	10070	
DESCRIPTION	DRAWING NO.	CODE	PERMEATE PORT SPECS	COMPUTER CODE

SHELL Length Code	L Inch (mm)	P Standard Inch (mm)	S Span Inch (mm)	Shell Weight lb (kg)
-1	58.4 (1485)	47 (1194)	1@28 (711)	52.8 (24)
-1.5	78.4 (1993)	67 (1702)	1@42 (1067)	61.6 (28)
-2	98.4 (2501)	87 (2210)	1@56 (1422)	69.3 (31.5)
-3	138.4 (3517)	127 (3226)	1@80 (2032)	85.8 (39)
-4	178.4 (4533)	167 (4242)	2@64 (1626)	102.3 (46.5)
-5	218.4 (5549)	207 (5258)	2@78 (1981)	118.8 (54)
-6	258.4 (6565)	247 (6274)	2@92 (2337)	135.3 (61.5)
-7	298.4 (7581)	287 (7290)	2@106 (2692)	151.8 (69)
-7.5	318.4 (8089)	307 (7798)	2@114 (2896)	160.6 (73)
-8	338.4 (8597)	327 (8306)	2@120 (3048)	168.3 (76.5)

25	ALUMINUM PLATE LABEL		2	ADHESIVE LABEL	40757
24	LOGO LABEL		2	ADHESIVE LABEL	40255
23	SERIAL NO. LABEL		1	ART PAPER 20"×3	40425
22	RETAINING BLOCK	23300-36-01	4	316	20183-1
21	SCREW	GB819-85	8	M5*14 STAINLESS STEEL	20833
20	STRAP PROTECTIVE JACKET	(23300-19)EC30-08-19	2or3	SOFT PVC	10188
19	STRAP SCREW		4or6	M8*90 STAINLESS STEEL, GRADE 8.8	20129
18	STRAP NUT	(23300-18)EC30-08-18	4or6	Hpb5-9	20123
17	STRAP	(23300-17)EC30-08-17	2or3	A666. 304	20123
16	SADDLE	(23300-16)EC30-08-16	2or3	TPU (S60D)	10141
15	EMBEDDED RING	(23300-15)EC30-08-15	2	SA-312, TP316L	20072
14	ADAPTOR O RING	(23300-14)EC30-08-14	4	EPDM	10182
13	ADAPTOR(Ø29.1)	(23300-13)EC30-08-13	2	ABS CHIMEI 757K	10125
12	RETAINING RING	(23300-12)EC30-08-12	2	SA-479.316	20025
11	HEAD SEAL	23300-26	2	EPDM	10175
10	PERMEATE PORT(300PSI)	SEE "PERMEATE PORT CONFIGURATIONS"	2	PF062-3	SEE THE CHART
9	BEARING PLATE	SEE "BEARING PLATE CONFIGURATIONS"	2	SEE "BEARING PLATE CONFIGURATIONS"	SEE THE CHART
8	PERMEATE PORT O RING	(23300-08)EC30-08-08	2	EPDM	10181
7	THRUST CONE	(23300-07)EC30-08-07	1	PF062-3	10192
6	SIDE PORT RETAINING RING	SEE "SIDE PORT CONFIGURATIONS"	4	SA-479.316	SEE THE CHART
5	SIDE PORT O RING	SEE "SIDE PORT CONFIGURATIONS"	4	EPDM	SEE THE CHART
4	CURVED SIDE PORT SEAL	SEE "SIDE PORT CONFIGURATIONS"	2	EPDM	SEE THE CHART
3	PERMEATE RETAINING RING	(23300-03)EC30-08-03	2	A580. 316	20107
2	SIDE PORT	SEE "SIDE PORT CONFIGURATIONS"	2	SA-213, TP316L	SEE THE CHART
1	SHELL	SEE "SIDE PORT CONFIGURATIONS"	1	FIBER GLASS + EPOXY	
ITEM	DESCRIPTION	DRAWING NO.	QTY	MATERIAL	COMPUTER CODE

**TECHNICAL REQUIREMENT**  
1. MANUFACTURED IN CONFORMITY TO 《ASME BOILER&PRESSURE VESSEL CODE》  
SECTION X: 《FIBER REINFORCED PLASTIC PRESSURE VESSELS》-CLASS I VESSELS;  
2. MAX OPERATING PRESSURE: 300Psi (2.0684MPa),  
ALLOWABLE TEMPERATURE RANGE: 20°F(-7°C) ~120°F(49°C),  
NOT APPLICABLE TO CORROSIVE LIQUID;  
3. LEAKAGE TEST: HYDRO TEST, TESTED AT 1.1 TIMES ITS OPERATING PRESSURE,  
I.E.: 330Psi (2.2752MPa), SAMPLE RATE: 100%;  
NOTE: DIMENSIONS IN PARENTHESIS ARE FOR REFERENCE ONLY.

16	ADD THE NOTES:		2013/02/06	
15	RETAINING BLOCK AND SCREW CHANGED; HEAD SEAL CHANGED:		2012/09/04	
14	INCREASE TOLERANCE:		2011/07/04	
13	HEAD SEAL CHANGED;		2011/02/10	
12	SHELL WEIGHT CHANGED;		2010/12/02	
REVISION		DESCRIPTION	SIGNATURE	DATA
REFERENTIAL PLASTIC SHRINKAGE (IF NECESSARY):		THE DIMENSIONS ARE FOR REFERENCE ONLY		
SIGNATURE		WAVE CYBER (SHANGHAI) CO., LTD.		
DESIGN	NAME	DATE	SCALE	MATERIAL
INSPECTION			1:6	
APPROVAL			QUANTITY	SMOOTHNESS
THIS PRODUCT DRAWING CAN NOT BE COPIED AND/OR USED WITHOUT PRIOR WRITTEN APPROVAL OF WAVE CYBER.		PROJECTION	COMPUTER CODE	MODEL WAVE-300P-8
		DO NOT MEASURE THE DIMENSIONS.	UNIT: MM	DESCRIPTION 300P-8 MEMBRANE HOUSING
				MODEL WAVE-300P-8
				DESCRIPTION
				300P-8 MEMBRANE HOUSING
				DRAWING NO. (23300-00)EC30-08-00
				VERSION NO. 16
				TOTAL PAGE: 1