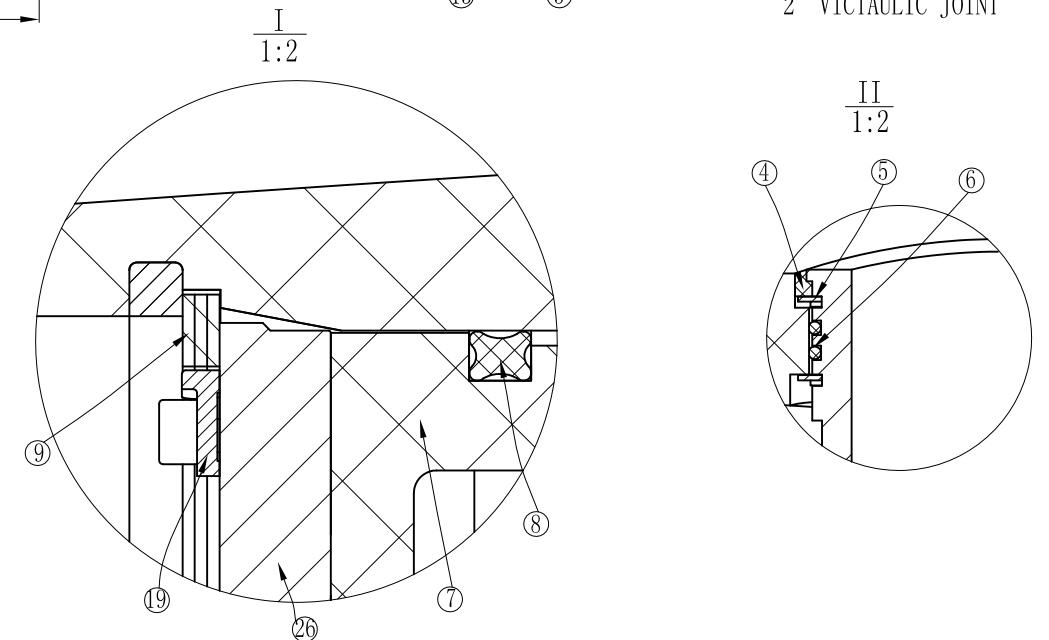


ADAPTER ADJUSTMENT WASHER CONFIGURATION

DESCRIPTION	SIZE	QTY	MATERIAL	COMPUTER NO.
ADAPTER ADJUSTMENG WASHER	ø42.7 (I. D.) × ø51 (O. D) δ=2mm	2	PVC	10439
	ø42.7 (I. D.) × ø51 (O. D) δ=3mm	2	PVC	10438
	ø42.7 (I. D.) × ø51 (O. D) δ=5mm	1	PVC	10437

- 1.Flexible piping should be used on permeate connection to manifold.
- 2.Side port misalignment can not exceed 0.7mm in any direction.
- 3.MPV is not designed for negative pressures.

ITEM	DESCRIPTION	DRAWING NO.	QTY	MATERIAL	COMPUTER CODE
27	ADAPTOR FITTING	23300-13-14-02	2	PVC	10488
26	ALUMINUM PLATE	23150-09-03	2	SB-211, 6061-T6	20867
25	BOTTOM LABEL		1	ARTPAPER 15*27	40219
24	TOP LABEL		1	ARTPAPER 15*27	40219
23	ALUMINUM PLATE LABEL		2	ADHESIVE LABEL	40533
22	LOGO LABEL		2	ADHESIVE LABEL	40225
21	SERIAL NO. LABEL		1	20*53 ARTPAPER	40425
20	O RING		8	EPDM ø35x4.0	10390
19	RETAINING BLOCK	23300-36-01	4	316	20183-1
18	SCREW	GB819-85	8	M5*14 STAINLESS STEEL	20833
17	STRAP PROTECTIVE JACKET	23300-19	2or3	SOFT PVC	10188
16	STRAP SCREW		4or6	M8*90 STAINLESS STEEL, GRADE 8. 8	20129
15	STRAP NUT	23300-18	4or6	Hpb51-9	20123
14	STRAP	23300-17	2or3	A666, 304	20123
13	SADDLE	23300-16	2or3	TPU(S60D)	10141
12	EMBEDDED RING	23300-15	2	SA-213, TPL316L	20072
11	ADAPTOR O RING		4	EPDM ø50x5.6	10407
10	ADAPTOR	23300-13-14	2	PVC	10470
9	RETAINING RING	23300-12	2	SA-479, 316	20025
8	HEAD SEAL	23300-26	2	EPDM	10175
7	SEALING PLATE	23150-09-01-01	2	PP+GF30%	10387-1
6	SIDE PORT O RING	ø51 (I. D.) *ø2	12	EPDM	10424
5	SIDE PORT RETAINING RING	23300-06-01	12	SA-479, 316	20111
4	CURVED SIDE PORT SEAL	23300-04-01-01	6	EPDM	10613
3	PERMEATE RETAINING RING	GB 894. 2-86-60	2	SURFACE GALVANIZATION TREATMENT	20022
2	SIDE PORT	23300-02-01	6	SA-213, TP316L	20083
1	SHELL	23150-01-05	1	FIBER GLASS+EPOXY	



TECHNICAL REQUIREMENT

1. MAX OPERATING PRESSURE: 150Psi (1.0342MPa) , ALLOWABLE TEMPERATURE RANGE: 20°F(-7°C) ~ 120°F(49°C), NOT APPLICABLE TO CORROSIVE LIQUID ;
2. LEAKAGE TEST: HYDRO TEST, TESTED AT 1.1 TIMES ITS OPERATING PRESSURE, I.E.: 165Psi (1.1376MPa) , SAMPLE RATE: 100%; NOTE: DIMENSIONS IN PARENTHESIS ARE REFERENCE ONLY.
3. MEDIUM: WATER (PH=3~11)
4. PRESSURE INSIDE FITTINGS BELOW 125PSI (0.88MPa)

REVISION	DESCRIPTION	SIGNATURE	DATE
13	ADD THE NOTES;		2013/02/06
12	HEAD ASSEMBLY CHANGED;		2012/09/05
11	ADAPTOR O RING CHANGED;		2010/03/23

SIGNATURE		THE DIMENSIONS ARE FOR REFERENCE ONLY	
NAME	DATE	WAVE CYBER (SHANGHAI) CO., LTD.	
DESIGN		SCALE	1:6
INSPECTION		MATERIAL	
APPROVAL		QUANTITY	
THIS PRODUCT DRAWING CAN NOT BE COPIED AND/OR USED WITHOUT PRIOR WRITTEN APPROVAL OF WAVE CYBER.		PROJECTION	COMPUTER CODE
		DO NOT MEASURE THE DIMENSIONS.	
		MODEL	WAVENR-150P-8
		DESCRIPTION	150P-8 MEMBRANE HOUSING (NORIT)
		DRAWING NO.	23150-00-02
		VERSION NO.	13
		UNIT: MM	TOTAL PAGE: 1

SHELL Length Code	L Inch (mm)	P Standard Inch (mm)	S Span Inch (mm)	G Inch (mm)	A Inch (mm)	WEIGHT lb (kg)
-2	134.46 (3415.4)	123.99 (3149.4)	1@71 (1800)	130.45 (3313.4)	120.96 (3072.4)	
-4	255.47 (6489)	245 (6223)	2@91 (2300)	251.46 (6387)	241.97 (6146)	

LENNTECH

info@lennotech.com Tel. +31-152-610-900
www.lennotech.com Fax. +31-152-616-289