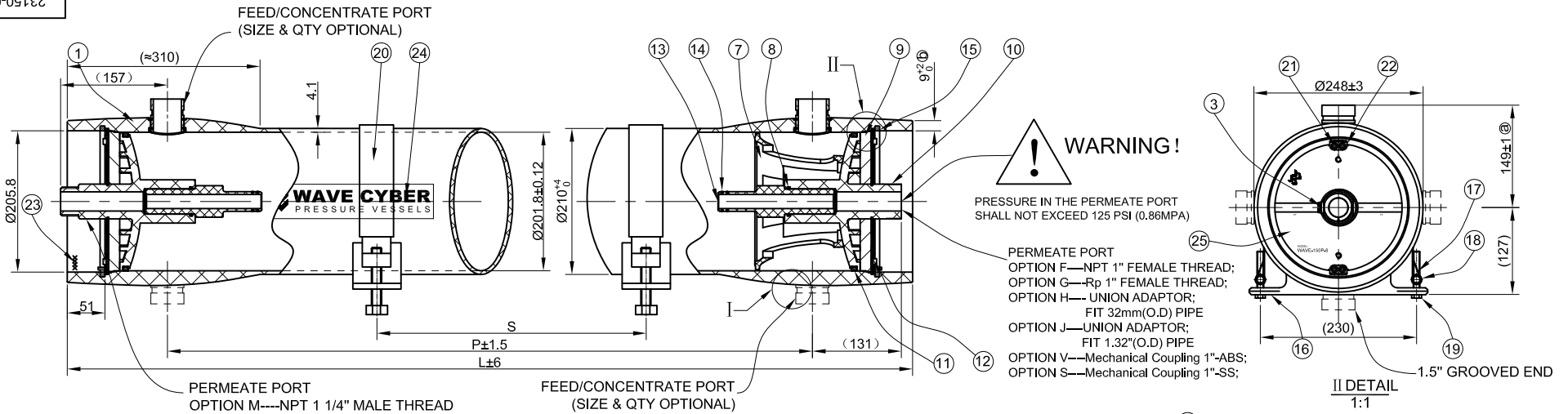


00-091E2



LENNTECH

info@lenntech.com Tel. +31-152-610-900
www.lenntech.com Fax. +31-152-616-289

SIDEPORT O RING	Ø70(I.D.)×Ø2		2.5"	10425
	Ø55(I.D.)×Ø2		2"	10424
	Ø42(I.D.)×Ø2		1.5"	10423
SHELL	(23150-01-02)EC15-08-01/2		2.5"	
	(23150-01-01)EC15-08-01/1		2"	
	(23150-01-03)EC15-08-01/3		1.5"	
CURVED SIDEPORT SEAL	23300-04-02-01		2.5"	10614
	23300-04-01-01		2"	10613
	23300-04-03-01		1.5"	10615
RETAINING RING	(23300-06-02)EC30-08-06/2		2.5"	20112
	(23300-06-01)EC30-08-06/1		2"	20111
	(23300-06-03)EC30-08-06/3		1.5"	20113
SIDE PORT	(23300-02-02)EC30-08-02/2	T	2.5"	20084
	(23300-02-01)EC30-08-02/1	S	2"	20083
	(23300-02-03)EC30-08-02/3	R	1.5"	20085
DESCRIPTION	DRAWING NO.	CODE	SIZE	COMPUTER CODE

1. Flexible piping should be used on permeate connection to manifold.
2. Side port misalignment can not exceed 0.7mm in any direction.
3. MPV is not designed for negative pressures.

	23300-10-08	UF	CONNECTED WITH VICTAULIC	10501
	23300-10-09	N	NPT 1 1/2" MALE THREAD	10843
	23300-10-06	M	NPT 1 1/4" MALE THREAD	10084
PERMEATE PORT	23300-10-05	S	MECHANICAL COUPLING 1"-SS	10069
150 PSI	23300-10-05	V	MECHANICAL COUPLING 1"-ABS	10069
	23300-10-05	J	UNION ADAPTOR(American Standard)	10069
	23300-10-05	F	NPT 1" FEMALE THREAD	10069
	23300-10-05	G	Rp 1" FEMALE THREAD	10069
	23300-10-05	H	UNION ADAPTOR(National Standard)	10069
DESCRIPTION	DRAWING NO.	CODE	PERMEATE PORT SPECS	COMPUTER CODE

SHELL Length Code	L Inch (mm)	P Standard Inch (mm)	S Span Inch (mm)	WEIGHT lb (kg)
-1	58.1 (1477)	47 (1194)	1@28 (711)	54 (24.5)
-1.5	78.1 (1985)	67 (1702)	1@42 (1067)	62 (28)
-2	98.1 (2493)	87 (2210)	1@56 (1422)	70 (31.5)
-3	138.1 (3509)	127 (3226)	1@80 (2032)	88 (37.6)
-4	178.1 (4525)	167 (4242)	2@64 (1626)	105 (47.3)
-5	218.1 (5541)	207 (5258)	2@78 (1981)	122 (55)
-6	258.5 (6559)	247 (6274)	2@92 (2337)	138 (62)
-7	298.1 (7573)	287 (7290)	2@106 (2692)	155 (70)
-7.5	318.1 (8081)	307 (7798)	2@114 (2896)	164 (74)
-8	338.1 (8589)	327 (8306)	2@120 (3048)	172 (77.5)

25 ALUMINUM PLATE LABEL		2	ADHESIVE LABEL	40841	
24 LOGO LABEL		2	ADHESIVE LABEL	40255	
23 SERIAL NO. LABEL		1	ART PAPER 20"53	40425	
22 RETAINING BLOCK	23300-36-01	4	316	20183-1	
21 SCREW	G81819-25	8	M5*14 STAINLESS STEEL	20353	
20 STRAP PROTECTIVE JACKET	(23300-19)EC30-08-19	2@3	SOFT PVC	10188	
19 STRAP SCREW		4@6	M8*90 STAINLESS STEEL GRADE 8.8	20129	
18 STRAP NUT	(23300-18)EC30-08-18	4@6	H051-9	20123	
17 STRAP	(23300-17)EC30-08-17	2	A866, 304	20122	
16 SADDLE	(23300-16)EC30-08-16	2@3	TPU (S60D)	10141	
15 EMBEDDED RING	(23300-15)EC30-08-15	2	SA-312, TP316L	20072	
14 ADAPTOR O RING	(23300-14)EC30-08-14	4	EPDM	10182	
13 ADAPTOR(O22.1)	(23300-13)EC30-08-13	2	ABS CHIMEI 757K	10126	
12 RETAINING RING	(23300-12)EC30-08-12	2	SA-479.316	20025	
11 HEAD SEAL	23300-26	2	EPDM	10175	
10 PERMEATE PORT(150PSI)	SEE "PERMEATE PORT CONFIGURATIONS"	2	PF062-3	SEE THE CHART	
9 BEARING PLATE	(23150-08)EC15-08-09	2	SB-211.6061-T6	20089	
8 PERMEATE PORT RING	(23300-08)EC30-08-08	2	EPDM	10181	
7 THRUST CONE	(23300-07)EC30-08-07	1	PF062-3	10192	
6 SIDE PORT RETAINING RING	SEE "SIDE PORT CONFIGURATIONS"	4	A880, 316	SEE THE CHART	
5 SIDE PORT O-RING	SEE "SIDE PORT CONFIGURATIONS"	4	EPDM	SEE THE CHART	
4 CURVED SIDE PORT SEAL	SEE "SIDE PORT CONFIGURATIONS"	2	EPDM	SEE THE CHART	
3 PERMEATE RETAINING RING	(23300-03)EC30-08-03	2	A880, 316	20107	
2 SIDE PORT	SEE "SIDE PORT CONFIGURATIONS"	2	SA-312, TP316L	SEE THE CHART	
1 SHELL	SEE "SIDE PORT CONFIGURATIONS"	1	FIBER GLASS + EPOXY	SEE THE CHART	
ITEM	DESCRIPTION	DRAWING NO.	QTY	MATERIAL	COMPUTER CODE

TECHNICAL REQUIREMENT

1. MANUFACTURED IN CONFORMITY TO « ASME BOILER&PRESSURE VESSEL CODE » SECTION X : « FIBER REINFORCED PLASTIC PRESSURE VESSELS » -CLASS I VESSELS.
 2. MAX OPERATING PRESSURE: 150Psi (1.0342MPa) , ALLOWABLE TEMPERATURE RANGE: 20°F(-7°C)~120°F(49°C), NOT APPLICABLE TO CORROSIVE LIQUID;
 3. LEAKAGE TEST: HYDRO TEST, TESTED AT 1.1 TIMES ITS OPERATING PRESSURE, I.E.: 165Psi (1.1376MPa) . SAMPLE RATE: 100%;
- NOTE: DIMENSIONS IN PARENTHESIS ARE REFERENCE ONLY.

11	ADD THE NOTES:			2013/02/06
10	RETAINING BLOCK AND SCREW CHANGED; HEAD SEAL CHANGED;			2012/09/04
9	① INCREASE TOLERANCE;			2011/07/04
8	HEAD SEAL CHANGED;			2011/02/11
7	THICKNESS OF SHELL END PORT CHANGED;			2010/04/13
REVISION	DESCRIPTION	SIGNATURE	DATA	
REFERENTIAL PLASTIC SHRINKAGE (IF NECESSARY);		THE DIMENSIONS ARE FOR REFERENCE ONLY		
SIGNATURE		WAVE CYBER (SHANGHAI) CO., LTD.		
DESIGN	NAME	DATE	SCALE	MATERIAL
INSPECTION			1:6	
APPROVAL			QUANTITY	SMOOTHNESS
THIS PRODUCT DRAWING CAN NOT BE COPIED AND/OR USED WITHOUT PRIOR WRITTEN APPROVAL OF WAVE CYBER.		PROJECTION	COMPUTER CODE	DRAWING NO. (23150-00)EC15-08-00
		DO NOT MEASURE THE DIMENSIONS.	UNIT: MM	VERSION NO. 11
				TOTAL PAGE: 1