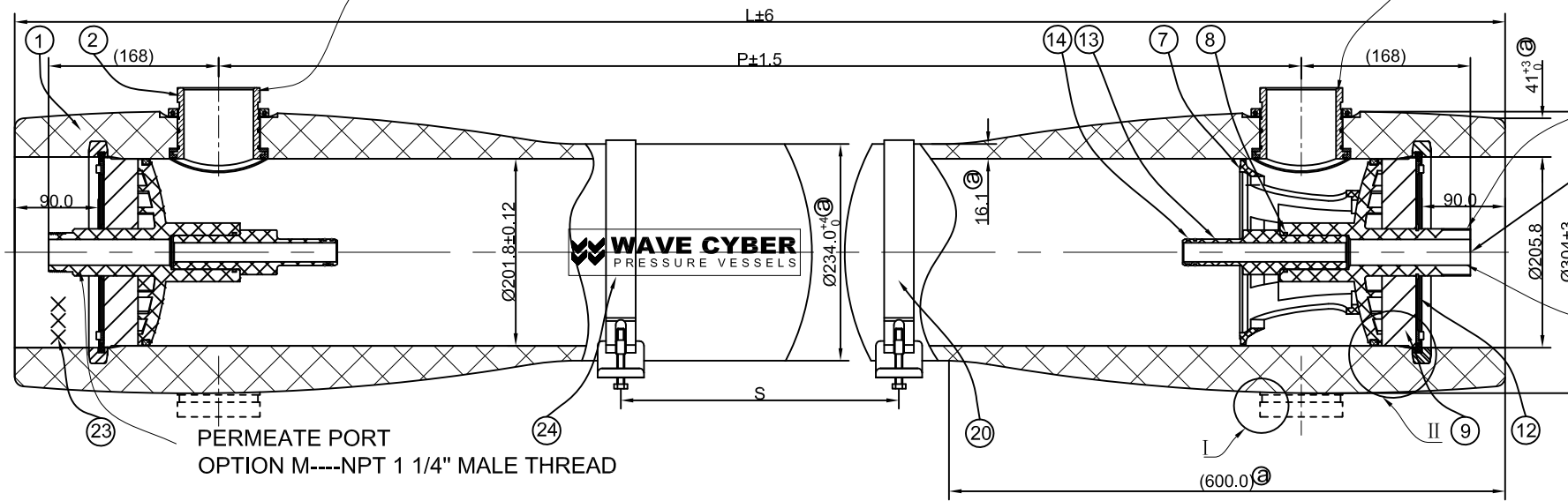


Z0-00-021E2

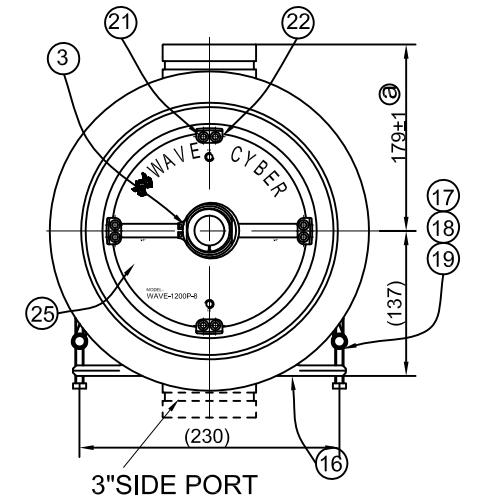
FEED/CONCENTRATE PORT(1.5"-3" QTY OPTIONAL)

FEED/CONCENTRATE PORT(1.5"-3" QTY OPTIONAL)



PERMEATE PORT
 OPTION F---NPT 1" FEMALE THREAD;
 OPTION G---Rp 1" FEMALE THREAD;
 OPTION H--- UNION ADAPTOR;
 FIT 32mm(O.D) PIPE
 OPTION J---UNION ADAPTOR;
 FIT 1.32"(O.D) PIPE
 OPTION V---Mechanical Coupling 1"-ABS;
 OPTION S---Mechanical Coupling 1"-SS;

WARNING!
 PRESSURE IN THE PERMEATE PORT
 SHALL NOT EXCEED 125 PSI (0.86MPa)

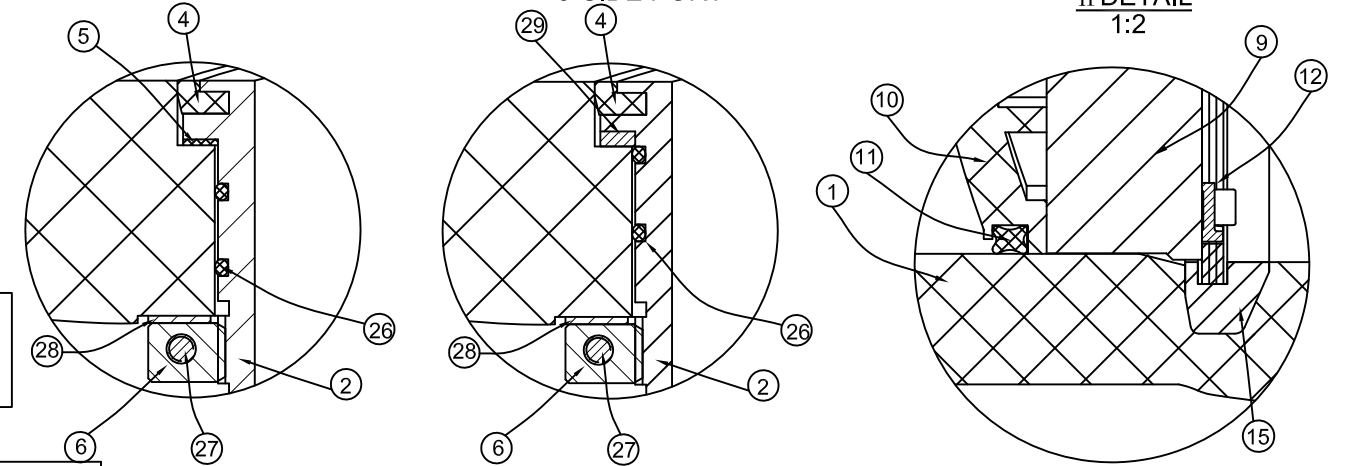


I DETAIL
 1:2

1.5"-2.5" SIDE PORT

3" SIDE PORT

II DETAIL
 1:2



1. Flexible piping should be used on permeate connection to manifold.
2. Side port misalignment can not exceed 0.7mm in any direction.
3. MPV is not designed for negative pressures.

BEARING PLATE 1200PSI	23120-10	SB-209,6061-T651	20435	ASME CODE PRODUCT
DESCRIPTION	DRAWING NO.	MATERIAL	COMPUTER CODE	REMARK

SIDE PORT O-RING	Ø80(I.D)*Ø2.65	3"	10392
	Ø70(I.D)*Ø2	2.5"	10425
	Ø55(I.D)*Ø2	2"	10424
	Ø42(I.D)*Ø2	1.5"	10423
CURVED SIDE PORT SEAL	23100-07-04	3"	10491
	23100-07-02	2.5"	10497
	23100-07-01	2"	10495
	23100-07-03	1.5"	10493
SIDE PORT SEAL GASKET	23100-33	2.5"	10498
	23100-37	2"	10496
	23100-29	1.5"	10494
SIDE PORT GASKET	23100-46-04	3"	20286
	23100-46-03	2.5"	20285
	23100-46-02	2"	20280
	23100-46-01	1.5"	20279
SIDE PORT NUT	23100-45-04	3"	20458
	23100-45-03	2.5"	20457
	23100-45-02	2"	20456
	23100-45-01	1.5"	20455
SIDE PORT	23120-02-04-03	U 3"	20384-1
	23120-02-02-04	T 2.5"	20628-1
	23120-02-01-04	S 2"	20627-1
	23120-02-03-04	R 1.5"	20629-1
DESCRIPTION	DRAWING NO.	CODE	SIZE

PERMEATE PORT 1200 PSI	23300-10-08	UF	VICTAULIC 1.5"	10605
	23300-10-09	N	NPT 1 1/2" MALE THREAD	10848
	23300-10-06	M	NPT 1 1/4" MALE THREAD	10604
	23300-10-05	S	MECHANICAL COUPLING 1"-SS	10602
	23300-10-05	V	MECHANICAL COUPLING 1"-ABS	10602
	23300-10-05	J	UNION ADAPTOR 1"(1.32")	10602
	23300-10-05	F	NPT 1" FEMALE THREAD	10602
	23300-10-05	G	Rp 1" FEMALE THREAD	10602
	23300-10-05	H	UNION ADAPTOR 1"(32mm)	10602
DESCRIPTION	DRAWING NO.	CODE	PERMEATE PORT SPECS	COMPUTER CODE

29	SIDE PORT WASHER	23100-26	2	304	20303
28	SIDE PORT GASKET	SEE "SIDE PORT CONFIGURATIONS"	2	SA-213, TP316L	SEE THE CHART
27	SIDE PORT BOLT		4	M4*16 STAINLESS STEEL, GRADE 8.8	20439
26	SIDE PORT O RING	SEE "SIDE PORT CONFIGURATIONS"	4	EPDM	SEE THE CHART
25	ALUMINUM PLATE LABEL		2	ADHESIVE LABEL	40846
24	LOGO LABEL		1	ADHESIVE LABEL	40255
23	SERIAL NO. LABEL		1	ARTPAPER 20*53	40223
22	RETAINING BLOCK	23300-36-01	8	316	20183-1
21	SCREW	GB819-85	16	M5*14 STAINLESS STEEL	20833
20	STRAP PROTECTIVE JACKET	(23300-19)EC30-08-19	2or3	SOFT PVC	10188
19	STRAP SCREW		4or6	M8*90 STAINLESS STEEL, GRADE 8.8	20129
18	STRAP NUT	(23300-18)EC30-08-18	4or6	HPb51-9	20123
17	STRAP	(23300-17)EC30-08-17	2or3	A666, 304	20123
16	SADDLE	(23300-16)EC30-08-16	2or3	TPU (S60D)	10141
15	EMBEDDED RING	23120-15-01	2	SA-312, TP316L	20433
14	ADAPTOR O RING	(23300-14)EC30-08-14	4	EPDM	10182
13	ADAPTOR	(23300-13)EC30-08-13	2	ABS CHIMEI 757K	10125
12	RETAINING RING	23120-11	2	SA-497.316	20434
11	HEAD SEAL	23300-26	2	EPDM	10175
10	PERMEATE PORT(1200PSI)	SEE "PERMEATE PORT CONFIGURATIONS"	2	PF062-3	SEE THE CHART
9	BEARING PLATE	SEE "BEARING PLATE CONFIGURATIONS"	2	SEE "BEARING PLATE CONFIGURATIONS"	SEE THE CHART
8	PERMEATE PORT O RING	(23300-08)EC30-08-08	2	EPDM	10181
7	THRUST CONE	(23300-07)EC30-08-07	1	PF062-3	10192
6	SIDE PORT NUT	SEE "SIDE PORT CONFIGURATIONS"	2	316L	SEE THE CHART
5	SIDE PORT SEAL GASKET	SEE "SIDE PORT CONFIGURATIONS"	2	EPDM	SEE THE CHART
4	CURVED SIDE PORT SEAL	SEE "SIDE PORT CONFIGURATIONS"	2	EPDM	SEE THE CHART
3	PERMEATE RETAINING RING	(23300-03)EC30-08-03	2	A580, 316	20107
2	SIDE PORT	SEE "SIDE PORT CONFIGURATIONS"	2	SA-789, S32750	SEE THE CHART
1	SHELL	23120-01-04	1	FIBER GLASS + EPOXY	
ITEM	DESCRIPTION	DRAWING NO.	QTY	MATERIAL	COMPUTER CODE

SHELL Length Code	L Inch (mm)	P Standard Inch (mm)	S Span Inch (mm)	WEIGHT Four Sideport lb (kg)
-1	63.31 (1608)	46 (1168)	1@12 (300)	194 (88.2)
-1.5	83.31 (2116)	66 (1676)	1@32 (810)	218 (98.8)
-2	103.31 (2624)	86 (2184)	1@50 (1280)	241 (109.3)
-3	143.31 (3640)	126 (3200)	1@80 (2032)	287 (130.4)
-4	183.31 (4656)	166 (4216)	2@64 (1626)	334 (151.5)
-5	223.31 (5672)	206 (5232)	2@78 (1981)	381 (172.7)
-6	263.31 (6688)	246 (6248)	2@92 (2337)	427 (193.8)
-7	303.31 (7704)	286 (7264)	2@106 (2692)	474 (215)
-7.5	323.31 (8212)	306 (7772)	2@114 (2896)	497 (225.6)
-8	343.31 (8720)	326 (8280)	2@120 (3048)	521 (236.2)

LENNTECH
 info@lennotech.com Tel. +31-152-610-900
 www.lennotech.com Fax. +31-152-616-289

TECHNICAL REQUIREMENT

1. MANUFACTURED IN CONFORMITY TO « ASME BOILER&PRESSURE VESSEL CODE» SECTION X: «FIBER REINFORCED PLASTIC PRESSURE VESSELS» -CLASS I VESSLES;
 2. MAX OPERATING PRESSURE: 1200Psi (8.2736MPa) , ALLOWABLE TEMPERATURE RANGE: 20°F(-7°C)~120°F(49°C), NOT APPLICABLE TO CORROSIVE LIQUID;
 3. LEAKAGE TEST: HYDRO TEST, TESTED AT 1.1 TIMES ITS OPERATING PRESSURE, I.E.: 1320Psi (9.1009MPa) , SAMPLE RATE: 100%;
- NOTE: DIMENSIONS IN PARENTHESIS ARE REFERENCE ONLY.

8	THE SIDE PORT MATERIAL HAVE CHANGED;		2014/09/09
7	ADD THE NOTES;		2013/02/05
6	HEAD SEAL CHANGED; RETAINING BLOCKS AND SCREW CHANGED;		2012/09/17
REVISION		SIGNATURE	DATA
REFERENTIAL PLASTIC SHRINKAGE (IF NECESSARY):	THE DIMENSIONS ARE FOR REFERENCE ONLY		
SIGNATURE		WAVE CYBER (SHANGHAI) CO., LTD.	
DESIGN	NAME	DATE	
INSPECTION			
APPROVAL			
THIS PRODUCT DRAWING CAN NOT BE COPIED AND/OR USED WITHOUT PRIOR WRITTEN APPROVAL OF WAVE CYBER.		SCALE 1:6	MODEL WAVE-1200P-8
PROJECTION	MATERIAL	SMOOTHNESS	DESCRIPTION 1200P-8 MEMBRANE HOUSING (Hi-Flo)
DO NOT MEASURE THE DIMENSIONS.	COMPUTER CODE	DRAWING NO. 23120-00-02	VERSION NO. 8
UNIT: MM	TOTAL PAGE: 1		