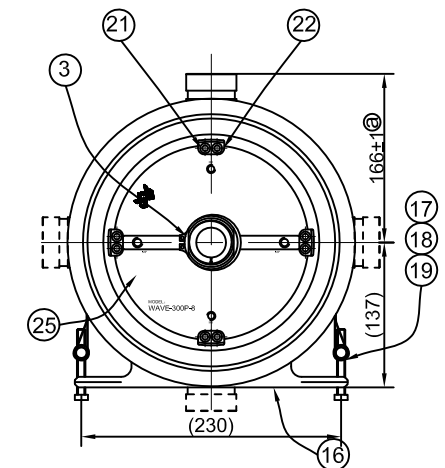
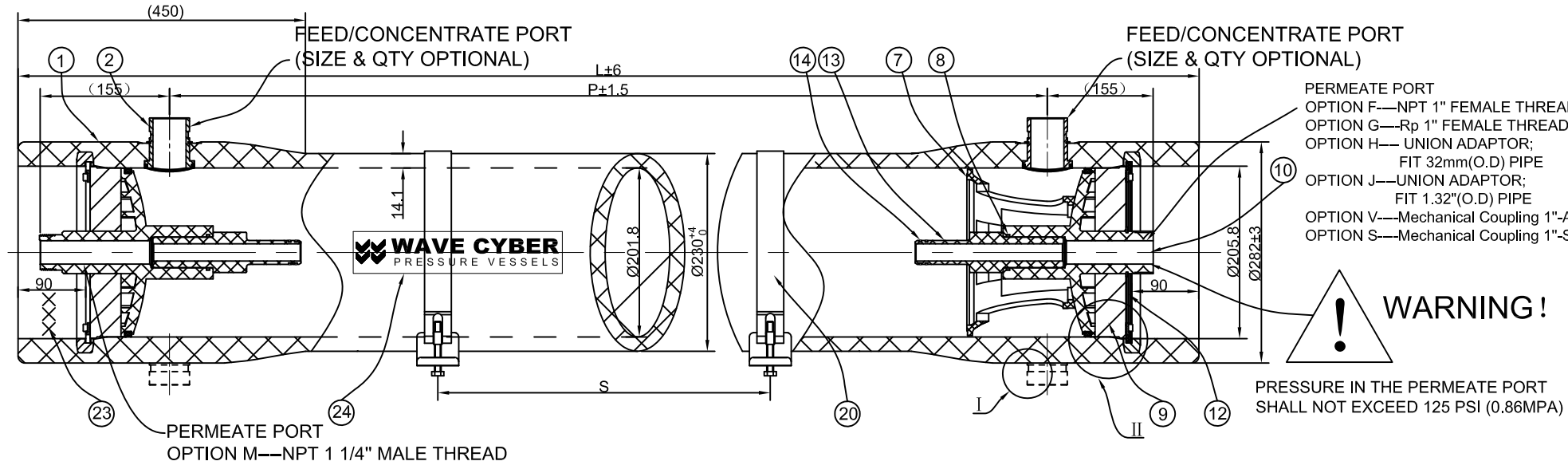
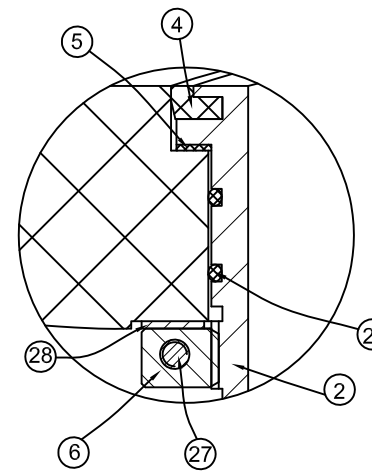


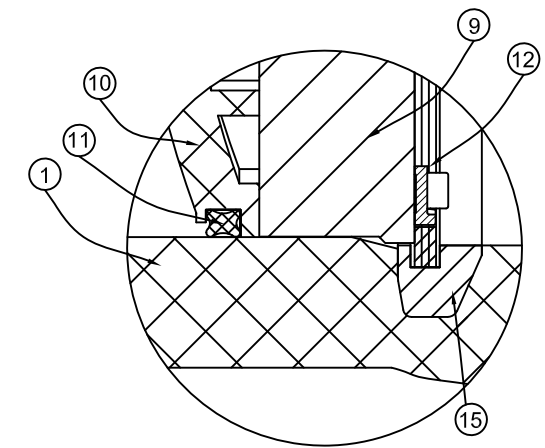
00-021EZ



I DETAIL  
1:2



II DETAIL  
1:2



**LENNTECH**

info@lennotech.com Tel. +31-152-610-900  
www.lennotech.com Fax. +31-152-616-289

1. Flexible piping should be used on permeate connection to manifold.
2. Side port misalignment can not exceed 0.7mm in any direction.
3. MPV is not designed for negative pressures.

SIDE PORT NUT	23100-45-03		2.5"	20457
	23100-45-02		2"	20456
	23100-45-01		1.5"	20455
SIDE PORT PACKING WASHER	23100-33		2.5"	10498
	23100-37		2"	10496
	23100-29		1.5"	10494
SHELL	23120-01-02		2.5"	
	23120-01-01		2"	
	23120-01-03		1.5"	
CURVED SIDEPORT SEAL	23100-07-02		2.5"	10497
	23100-07-01		2"	10495
	23100-07-03		1.5"	10493
SIDEPORT O RING	Ø70(I.D.)*Ø2		2.5"	10425
	Ø55(I.D.)*Ø2		2"	10424
SIDE PORT GASKET	Ø42(I.D.)*Ø2		1.5"	10423
	23100-46-03		2.5"	20285
SIDE PORT	23100-46-02		2"	20280
	23100-46-01		1.5"	20279
	23120-02-02-03	T	2.5"	20383-1
DESCRIPTION	23120-02-01-03	S	2"	20382-1
	23120-02-03-03	R	1.5"	20381-1
DESCRIPTION	DRAWING NO.	CODE	SIZE	COMPUTER CODE

BEARING PLATE 1200PSI	23120-10	SB-209.6061-T651	20435	ASME CODE PRODUCT
	23120-10-01	SB-211.6061-T6	20435-1	
DESCRIPTION	DRAWING NO.	MATERIAL	COMPUTER CODE	REMARK

PERMEATE PORT 1200 PSI	23300-10-08	UF	CONNECTED WITH VICTAULIC	10605
	23300-10-09	N	NPT 1 1/2" MALE THREAD	10648
	23300-10-06	M	NPT 1 1/4" MALE THREAD	10604
	23300-10-05	S	MECHANICAL COUPLING 1"-SS	10602
	23300-10-05	V	MECHANICAL COUPLING 1"-ABS	10602
	23300-10-05	J	UNION ADAPTOR(American Standard)	10602
	23300-10-05	F	NPT 1" FEMALE THREAD	10602
DESCRIPTION	23300-10-05	G	Rp 1" FEMALE THREAD	10602
	23300-10-05	H	UNION ADAPTOR(National Standard)	10602
	DESCRIPTION	DRAWING NO.	CODE	PERMEATE PORT SPECS

TECHNICAL REQUIREMENT

1. MANUFACTURED IN CONFORMITY TO « ASME BOILER&PRESSURE VESSEL CODE » SECTION X: « FIBER REINFORCED PLASTIC PRESSURE VESSELS » -CLASS I VESSELS;
  2. MAX OPERATING PRESSURE: 1200Psi ( 8.2736MPa ) , ALLOWABLE TEMPERATURE RANGE: 20°F(-7°C)~120°F(49°C), NOT APPLICABLE TO CORROSIVE LIQUID;
  3. LEAKAGE TEST: HYDRO TEST, TESTED AT 1.1 TIMES ITS OPERATING PRESSURE, I.E.: 1320Psi ( 9.1009MPa ) , SAMPLE RATE: 100%;
- NOTE: DIMENSIONS IN PARENTHESIS ARE REFERENCE ONLY.

SHELL Length Code	L Inch (mm)	P Standard Inch (mm)	S Span Inch (mm)	WEIGHT lb (kg)
-1	63.31 (1608)	47 (1194)	1@18 (450)	154.3 (70)
-1.5	83.31 (2116)	67 (1702)	1@38 (960)	174.2 (79)
-2	103.31 (2624)	87 (2210)	1@56 (1422)	194 (88)
-3	143.31 (3640)	127 (3226)	1@80 (2032)	233.7 (106)
-4	183.31 (4656)	167 (4242)	2@64 (1626)	273.4 (124)
-5	223.31 (5672)	207 (5258)	2@78 (1981)	313.1 (142)
-6	263.31 (6688)	247 (6274)	2@92 (2337)	352.8 (160)
-7	303.31 (7704)	287 (7290)	2@106 (2692)	392.5 (178)
-7.5	323.31 (8212)	307 (7798)	2@114 (2896)	412.3 (187)
-8	343.31 (8720)	327 (8306)	2@120 (3048)	432.1 (196)

28	SIDE PORT GASKET	SEE "SIDE PORT CONFIGURATIONS"	2	SA-213, TP316L	SEE THE CHART
27	SIDE PORT SCREW		2	M4*16 STAINLESS STEEL, GRADE 8.8	20439
26	SIDE PORT O RING	SEE "SIDE PORT CONFIGURATIONS"	4	EPDM	SEE THE CHART
25	ALUMINUM PLATE LABEL		2	ADHESIVE LABEL	40846
24	LOGO LABEL		1	ADHESIVE LABEL	40255
23	SERIAL NO. LABEL		1	ARTPAPER 20*53	40223
22	RETAINING BLOCK	23300-36-01	8	316	20183-1
21	SCREW	GB819-85	16	M5*14 STAINLESS STEEL	20833
20	STRAP PROTECTIVE JACKET	(23300-19)EC30-08-19	2or3	SOFT PVC	10188
19	STRAP SCREW		4or6	M8*90 STAINLESS STEEL, GRADE 8.8	20129
18	STRAP NUT	(23300-18)EC30-08-18	4or6	Hpb51-9	20123
17	STRAP	(23300-17)EC30-08-17	2or3	A666, 304	20123
16	SADDLE	(23300-16)EC30-08-16	2or3	TPU (S60D)	10141
15	EMBEDDED RING	23120-15-01	2	SA-312, TP316L	20433
14	ADAPTOR O RING	(23300-14)EC30-08-14	4	EPDM	10182
13	ADAPTOR	(23300-13)EC30-08-13	2	ABS CHIMEI 757K	10125
12	RETAINING RING	23120-11	2	SA-479, 316	20434
11	HEAD SEAL	23300-26	2	EPDM	10175
10	PERMEATE PORT(1200PSI)	SEE "PERMEATE PORT CONFIGURATIONS"	2	PF062-3	SEE THE CHART
9	BEARING PLATE	SEE "PERMEATE PORT CONFIGURATIONS"	2	SEE "PERMEATE PORT CONFIGURATIONS"	SEE THE CHART
8	PERMEATE PORT O RING	(23300-08)EC30-08-08	2	EPDM	10181
7	THRUST CONE	(23300-07)EC30-08-07	1	PF062-3	10192
6	SIDE PORT NUT	SEE "SIDE PORT CONFIGURATIONS"	2	316L	SEE THE CHART
5	SIDE PORT SEAL	SEE "SIDE PORT CONFIGURATIONS"	2	EPDM	SEE THE CHART
4	CURVED SIDE PORT SEAL	SEE "SIDE PORT CONFIGURATIONS"	2	EPDM	SEE THE CHART
3	PERMEATE RETAINING RING	(23300-03)EC30-08-03	2	A580, 316	20107
2	SIDE PORT	SEE "SIDE PORT CONFIGURATIONS"	2	SA-789, S32750	SEE THE CHART
1	SHELL	SEE "SIDE PORT CONFIGURATIONS"	1	FIBER GLASS + EPOXY	
ITEM	DESCRIPTION	DRAWING NO.	QTY	MATERIAL	COMPUTER CODE

14	THE SIDE PORT MATERIAL HAVE CHANGED;			2014/09/09
13	ADD THE NOTES;			2013/02/06
12	RETAINING BLOCK AND SCREW CHANGED; HEAD SEAL CHANGED;			2012/09/04
11	@ INCREASE TOLERANCE;			2011/07/04
10	HEAD SEAL CHANGED;			2011/02/11
REVISION	DESCRIPTION	SIGNATURE	DATE	
REFERENTIAL PLASTIC SHRINKAGE (IF NECESSARY):		THE DIMENSIONS ARE FOR REFERENCE ONLY		
SIGNATURE		WAVE CYBER (SHANGHAI) CO., LTD.		
DESIGN	NAME	DATE	SCALE	MODEL WAVE-1200P-8
INSPECTION			1:7	DESCRIPTION
APPROVAL			QUANTITY	1200P-8 MEMBRANE HOUSING
THIS PRODUCT DRAWING CAN NOT BE COPIED AND/OR USED WITHOUT PRIOR WRITTEN APPROVAL OF WAVE CYBER.		PROJECTION	COMPUTER CODE	DRAWING NO. 23120-00
		DO NOT MEASURE THE DIMENSIONS.	UNIT: MM	VERSION NO. 14
				TOTAL PAGE: 1