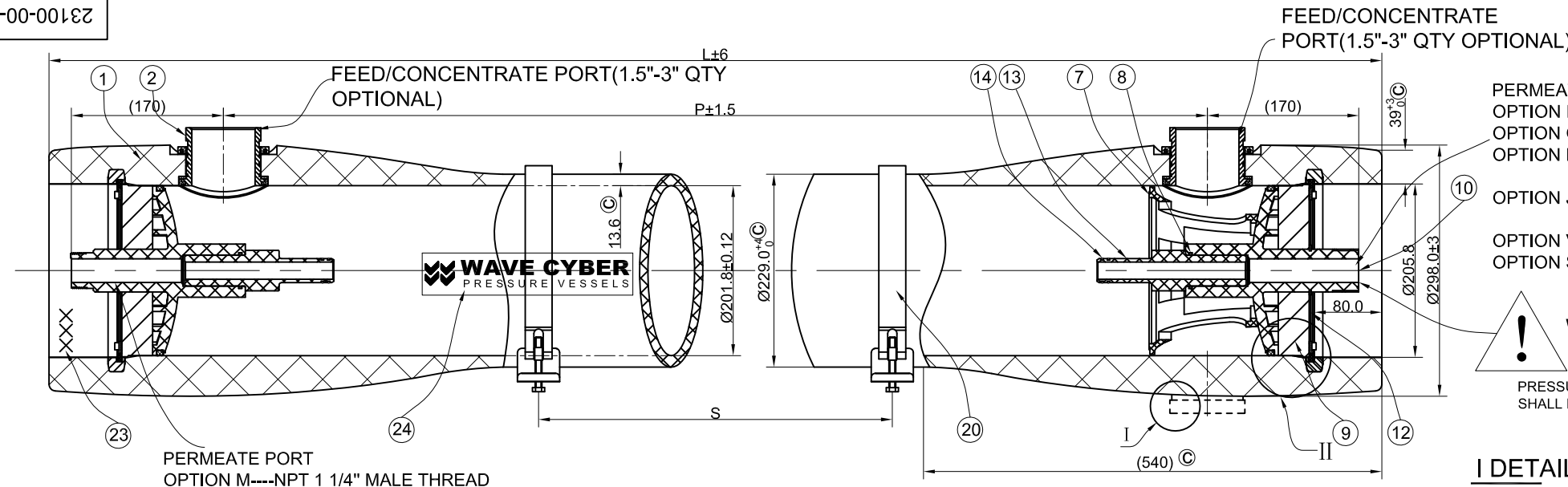
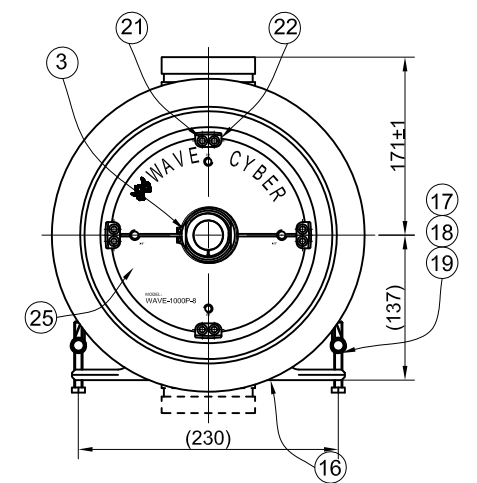


Z0-00-001EZ



- PERMEATE PORT  
 OPTION F—NPT 1" FEMALE THREAD;  
 OPTION G—Rp 1" FEMALE THREAD;  
 OPTION H— UNION ADAPTOR;  
 FIT 32mm(O.D) PIPE  
 OPTION J—UNION ADAPTOR;  
 FIT 1.32"(O.D) PIPE  
 OPTION V—Mechanical Coupling 1"-ABS;  
 OPTION S—Mechanical Coupling 1"-SS;

**WARNING!**  
 PRESSURE IN THE PERMEATE PORT  
 SHALL NOT EXCEED 125 PSI (0.86MPa)

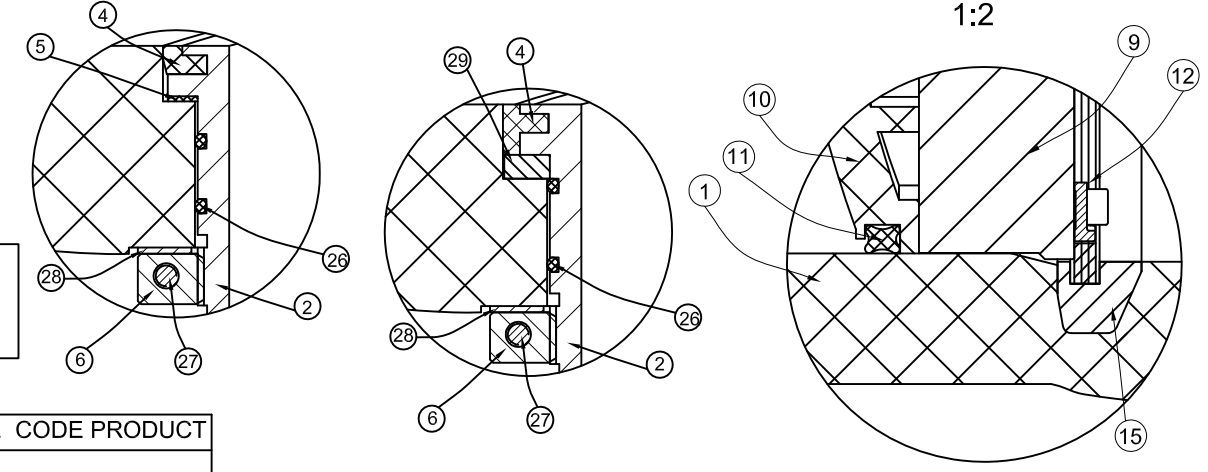


I DETAIL  
1:2

II DETAIL  
1:2

1.5"-2.5" SIDE PORT

3" SIDE PORT



**LENNTECH**  
 info@lennotech.com Tel. +31-152-610-900  
 www.lennotech.com Fax. +31-152-616-289

1. Flexible piping should be used on permeate connection to manifold.
2. Side port misalignment can not exceed 0.7mm in any direction.
3. MPV is not designed for negative pressures.

SIDE PORT O-RING	Ø80(I.D)*Ø2.65	3"	10392
	Ø70(I.D)*Ø2	2.5"	10425
CURVED SIDE PORT SEAL	Ø55(I.D)*Ø2	2"	10424
	Ø42(I.D)*Ø2	1.5"	10423
	23100-07-04	3"	10491
	23100-07-02	2.5"	10497
SIDE PORT SEAL GASKET	23100-07-01	2"	10495
	23100-07-03	1.5"	10493
	23100-33	2.5"	10498
SIDE PORT GASKET	23100-37	2"	10496
	23100-29	1.5"	10494
	23100-46-04	3"	20286
SIDE PORT NUT	23100-46-03	2.5"	20285
	23100-46-02	2"	20280
	23100-46-01	1.5"	20279
	23100-45-04	3"	20458
SIDE PORT	23100-45-03	2.5"	20457
	23100-45-02	2"	20456
	23100-45-01	1.5"	20455
	23100-02-07-04	U 3"	20389-1
DESCRIPTION	23100-02-02-05	T 2.5"	20625-1
	23100-02-01-05	S 2"	20624-1
	23100-02-03-05	R 1.5"	20626-1

BEARING PLATE 1000 PSI	23100-09-01	SB-209.6061-T651	20317	ASME CODE PRODUCT
DESCRIPTION	DRAWING NO.	MATERIAL	COMPUTER NO.	REMARK

PERMEATE PORT 1000 PSI	23300-10-08	UF	VICTAULIC 1.5"	10504
	23300-10-09	N	NPT 1 1/2" MALE THREAD	10847
	23300-10-06	M	NPT 1 1/4" MALE THREAD	10088
	23300-10-05	S	MECHANICAL COUPLING 1"-SS	10073
	23300-10-05	V	MECHANICAL COUPLING 1"-ABS	10073
	23300-10-05	J	UNION ADAPTOR 1"(1.32")	10073
	23300-10-05	F	NPT 1" FEMALE THREAD	10073
23300-10-05	G	Rp 1" FEMALE THREAD	10073	
23300-10-05	H	UNION ADAPTOR 1"(32mm)	10073	
DESCRIPTION	DRAWING NO.	CODE	PERMEATE PORT SPECS	COMPUTER CODE

**TECHNICAL REQUIREMENT**

1. MANUFACTURED IN CONFORMITY TO « ASME BOILER&PRESSURE VESSEL CODE » SECTION X: « FIBER REINFORCED PLASTIC PRESSURE VESSELS » -CLASS I VESSELS;
  2. MAX OPERATING PRESSURE: 1000Psi (6.8947MPa) , ALLOWABLE TEMPERATURE RANGE: 20°F(-7°C)~120°F(49°C), NOT APPLICABLE TO CORROSIVE LIQUID;
  3. LEAKAGE TEST: HYDRO TEST, TESTED AT 1.1 TIMES ITS OPERATING PRESSURE, I.E.: 1100Psi (7.5841MPa) , SAMPLE RATE: 100%;
- NOTE: DIMENSIONS IN PARENTHESIS ARE REFERENCE ONLY.

SHELL Length Code	L Inch (mm)	P Standard Inch (mm)	S Span Inch (mm)	Weight Four Sideports lb (kg)
-1	62.3 (1582)	46 (1168)	1@16 (420)	166 (75.4)
-1.5	82.3 (2090)	66 (1676)	1@36 (910)	185 (84.1)
-2	102.3 (2598)	86 (2184)	1@55 (1400)	205 (92.8)
-3	142.3 (3614)	126 (3200)	1@80 (2032)	243 (110.2)
-4	182.3 (4630)	166 (4216)	2@64 (1626)	281 (127.6)
-5	222.3 (5646)	206 (5232)	2@78 (1981)	320 (145)
-6	262.3 (6662)	246 (6248)	2@92 (2337)	358 (162.5)
-7	302.3 (7678)	286 (7264)	2@106 (2692)	397 (179.9)
-7.5	322.3 (8186)	306 (7772)	2@114 (2896)	416 (188.6)
-8	342.3 (8694)	326 (8280)	2@120 (3048)	435 (197.3)

29	SIDE PORT WASHER	23100-26	2	304	20303
28	SIDE PORT GASKET	SEE "SIDE PORT CONFIGURATIONS"	2	SA-213.TP316L	SEE THE CHART
27	SIDE PORT BOLT		4	M4*16 STAINLESS STEEL, GRADE 8.8	20439
26	SIDE PORT O RING	SEE "SIDE PORT CONFIGURATIONS"	4	EPDM	SEE THE CHART
25	ALUMINUM PLATE LABEL		2	ADHESIVE LABEL	40845
24	LOGO LABEL		1	ADHESIVE LABEL	40255
23	SERIAL NO LABEL		1	ARTPAPER 20*53	40425
22	RETAINING BLOCK	23300-36-01	8	316	20183-1
21	SCREW	GB819-85	16	M5*14 STAINLESS STEEL	20833
20	STRAP PROTECTIVE JACKET	(23300-19)EC30-08-19	2or3	SOFT PVC	10188
19	STRAP SCREW		4or6	M8*90 STAINLESS STEEL, GRADE 8.8	20129
18	STRAP NUT	(23300-18)EC30-08-18	4or6	Hpb51-9	20123
17	STRAP	(23300-17)EC30-08-17	2or3	A666.304	20123
16	SADDLE	(23300-16)EC30-08-16	2or3	TPU(S60D)	10141
15	EMBEDDED RING	23100-10	2	SA-312.TP316L	20190
14	ADAPTOR O RING	(23300-14)EC30-08-14	4	EPDM	10182
13	ADAPTOR	(23300-13)EC30-08-13	2	ABS.CHIMEI757K	10125
12	RETAINING RING	(23100-12)EC10-08-12	2	A580.316	20024
11	HEAD SEAL	23300-26	2	EPDM	10175
10	PERMEATE PORT(1000PSI)	SEE "PERMEATE PORT CONFIGURATIONS"	2	PF062-3	SEE THE CHART
9	BEARING PLATE	SEE "BEARING PLATE CONFIGURATIONS"	2	SEE THE CONFIGURATIONS	SEE THE CHART
8	PERMEATE PORT O RING	(23300-08)EC-30-08-08	2	EPDM	10181
7	THRUST CONE	(23300-07)EC-30-08-07	1	PF062-3	10192
6	SIDE PORT NUT	SEE "SIDE PORT CONFIGURATIONS"	2	316L	SEE THE CHART
5	SIDE PORT SEAL GASKET	SEE "SIDE PORT CONFIGURATIONS"	2	EPDM	SEE THE CHART
4	CURVED SIDE PORT SEAL	SEE "SIDE PORT CONFIGURATIONS"	2	EPDM	SEE THE CHART
3	PERMEATE RETAINING RING	(23300-03)EC30-08-03	2	A580.316	20107
2	SIDE PORT	SEE "SIDE PORT CONFIGURATIONS"	2	SA-789. S32750	SEE THE CHART
1	SHELL	23100-01-04	1	FIBER GLASS + EPOXY	SEE THE CHART
ITEM	DESCRIPTION	DRAWING NO.	QTY	MATERIAL	COMPUTER CODE

9	THE SIDE PORT MATERIAL HAVE CHANGED;		2014/09/09
8	ADD THE NOTES;		2013/02/05
7	RETAINING BLOCKS AND SCREW CHANGED; HEAD SEAL CHANGED;		2012/09/14
6	SIZE CHANGED; INCREASE TWO RETAINING BLOCKS AND DELETE 3 INCH SIDE PORT SEAL GASKET;		2011/07/18
5	HEAD SEAL CHANGED;		2011/01/28
4	1S SHELL SADDLE DISTANCE CHANGED; @ INCREASE OR CHANGE SIZE		2010/04/15
3	ADD 1.5"-2" SIDE PORT CONFIGURATION		2010/01/28
REVISION		SIGNATURE	DATA
REFERENTIAL PLASTIC SHRINKAGE (IF NECESSARY):		THE DIMENSIONS ARE FOR REFERENCE ONLY	
SIGNATURE		WAVE CYBER (SHANGHAI) CO., LTD.	
DESIGN	NAME	DATE	
INSPECTION			
APPROVAL			
THIS PRODUCT DRAWING CAN NOT BE COPIED AND/OR USED WITHOUT PRIOR WRITTEN APPROVAL OF WAVE CYBER.		SCALE 1:6	MODEL WAVE-1000P-8
PROJECTION	QUANTITY	MATERIAL SMOOTHNESS	DESCRIPTION 1000P-8 MEMBRANE HOUSING (Hi-Flo)
	COMPUTER CODE	DRAWING NO. 23100-00-02	VERSION NO. 9
DO NOT MEASURE THE DIMENSIONS.		UNIT: MM	TOTAL PAGE: 1