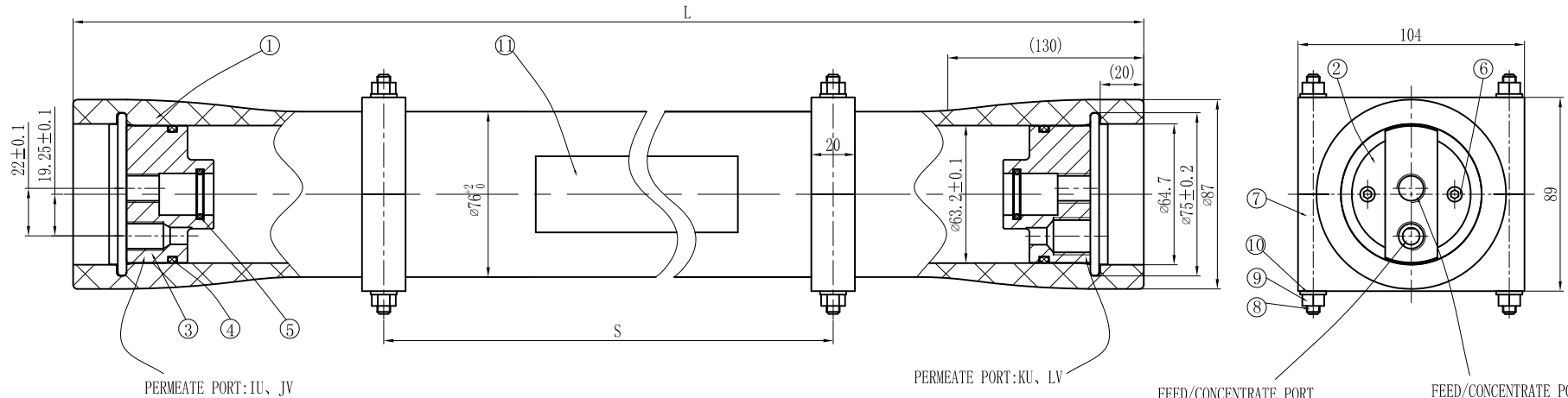


00-00197



"SADDLE CONNECTING-ROD" HAS DIFFERENT LENGTH WITH DIFFERENT SYSTEM, SEE THE CHART BELOW:

System Layer	1	2	3	4	5	6	7	8
Length/mm	113	202	291	380	469	558	647	736
COMPUTER CODE.	20562	20563	20564	20565	20566	20567	20568	20569

PERMEATE PORT	DRAWING NO.	CODE	MATERIAL	SPECS	COMPUTER CODE
	26100-03-04	KU	SA-789, S31803	NPT 3/8" NPT 1/4"	20593
	26100-03-03	LV	SA-789, S31803	G 3/8" G 1/4"	20592
	26100-03-02	IU	SA-789, S31803	NPT 1/4" NPT 1/4"	20591
	26100-03-01	JV	SA-789, S31803	G 1/4" G 1/4"	20590

FEED/CONCENTRATE PORT
 OPTION I--1/4"NPT FEMALE THREAD;
 OPTION J--1/4"BSPP FEMALE THREAD;
 OPTION K--3/8"NPT FEMALE THREAD;
 OPTION L--3/8"BSPP FEMALE THREAD;

FEED/CONCENTRATE PORT
 OPTION U--1/4"NPT FEMALE;
 OPTION V--1/4"BSPP FEMALE;

TECHNICAL REQUIREMENT:
 MAX OPERATING PRESSURE:1000PSI (6.8966MPa);
 ALLOWBLE TEMPERATURE RANGE:1°C-49°C;
 NOT APPLICABLE TO CORROSIVE LIQUID;
 NOTE:DIMESIONS IN PARENTHESIS ARE REFERENCE ONLY;

LENNTECH

info@lenntech.com Tel. +31-152-610-900
 www.lenntech.com Fax. +31-152-616-289

SHELL Length Code	L inch (mm)	S inch (mm)	EMPTY WEIGHT lb (kg)
2	83.19 (2113±1)	2@25.6 (2@650)	6.9
1	43.19 (1097±1)	1@28 (1@711)	4.1
B	24.17 (614±1)	1@7.8 (1@200)	2.6
A	17.2 (437±1)	1@6 (1@150)	2.1

11	LABE		1	ADHESIVE LABE	41110
10	NUT GASKET		8	M6 GRADE 8.8	20561
9	HEXAGON NUT		8	M6 GRADE 8.8	20560
8	SADDLE CONNECTING-ROD	26300-11	4	304	SEE THE CHART
7	SADDLE	26300-05	4	EPDM	10812
6	ALLEN SCREW		4	M4*12 GRADE 8.8	20443
5	SHELL SEAL	22300-06	2	EPDM	10178
4	HEAD SEAL	26300-04	2	EPDM	10450
3	PERMEATE PORT	SEE"PERMEATE PORT CONFIGURATIONS"	2	SA-789, S31803	SEE THE CHART
2	BAFFLES	26100-02	4	SA-213, 304	20518
1	2.5" SHELL (1000P)	26100-01	1	FIBER GLASS+EPOXY	
ITEM	DESCRIPTION	DRAWING NO.	QTY	MATERIAL	COMPUTER CODE

REVISION NO.	ADD THE I.D TOLERANCE OF SHELL	DISCRPTION OF CHANGE	SIGNATURE	13/01/11
5				DATE
REFERENTIAL PLASTIC SHRINKAGE (IF NECESSARY)				
SIGNATURE		WAVE CYBER (SHANGHAI) CO.LTD		
DESIGN	NAME	DATE	SCALE: 1 : 2	MATERIAL:
REVIEW			MODEL: WAVE-1000E-2.5	SMOOTHNESS:
APPROVAL			QUANTITY:	DESCRIPTION: 1000E-2.5 MEMBRANE HOUSING
THIS PRODUCT DRAWING CAN NOT BE COPIED AND/OR USED WITHOUT PRIOR WRITTEN APPROVAL OF WAVE CYBER		PROJECTION:	COMPUTER CODE:	DRAWING NO.: 26100-00
		UNIT:MM	TOTAL PAGE:1	REVISION NO. 5