

Submersible drainage pump J 205

Specification

Electric submersible pump.
Maximum submergence: 20 m. Protection class IP 68.
Max temperature of pumped medium at max power input and continuous duty 40 °C.
Max medium density 1100 kg/m³. pH of the pumped medium 5-8.
Strainer hole: 8 x 34 mm. Max number of starts 30/hour.

J 205 ND Medium head, 3-phase

J 205 HD High head, 3-phase

Electric motor

3-phase squirrel-cage induction motor, 50 Hz.
Service factor 1.1. Class F insulation.
Motor rating P₂: 21.0 kW. Speed: 2910 rpm.

Voltage, V	230	400	500-550	690	1000
Nominal current, A	68	39	31.2	23	16

Starting method and motor protection

D.O.L. start with built-in contactor (1000 V with terminal block).
D.O.L. start with built-in SoftDrive (400-460 V).
Star-Delta start with built-in terminal block.
When used with VFD, pump must be equipped with terminal block instead of contactor.

Power cable

20 m type H07RN8-F (standard cable):
4 x 4 sq.mm. (690 V DOL-start)
4 x 10 sq.mm. (400-550 V DOL-start)
4 x 16 sq.mm. (230 V DOL-start)
10 x 2.5 sq.mm. (690 V star-delta start)
2-4 x 6 sq.mm. + 4 x 1.5 sq.mm. (400-550 V star-delta start)
2-4 x 10 sq.mm. + 4 x 1.5 sq.mm. (230 V star-delta start)

20 m type NSSHÖU.../3E (heavy duty cable):
3x6+3x6/3E+3x1.5 (3 control cables incl.) (690-1000 V DOL-start)
3x10+3x10/3E+3x2.5 (3 control cables incl.) (400-550 V DOL-start)

Motor protection

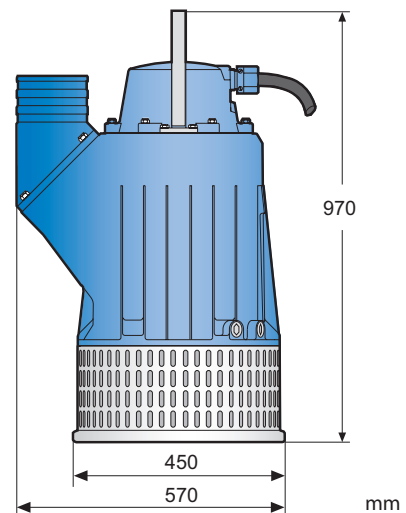
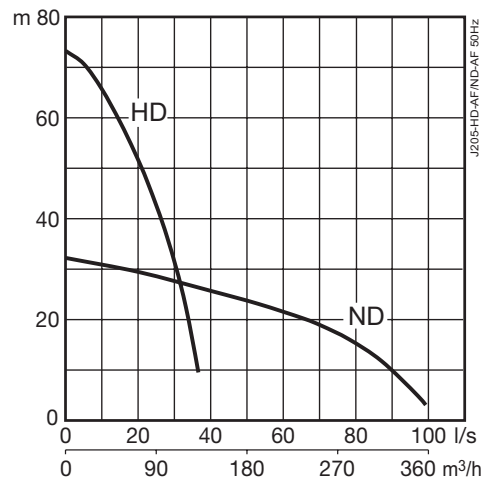
Built-in thermal switches in the stator windings (140°C, ±5), connected to built-in contactor, SoftDrive or to separate control box.
DI leakage sensor (not in combination with built-in contactor or SoftDrive).

Shaft seal

Double mechanical seal in oil bath, mounted in seal cartridge for easy service.
Primary seal: Silicon carbide on silicon carbide.
Secondary seal: Silicon carbide on antimony treated carbon.

Bearings

Upper bearing: Single-row deep groove ball bearing.
Lower bearing: Double angular contact ball bearing.



Discharge connections

4" (standard HD), 6" (standard ND), 8" hose connections.
4", 6", 8" G/B.S.P. threaded connections.

Weight

155 kg (without cable)

Options and accessories

Zinc anodes. Surface protection coating.
Wear plate in polyurethane. Electronic motor supervision.
Series connection. Starter and control units.
Automatic level control unit. Floatation system. Repair kit.
Discharge connection accessories and hose.

Materials

Description	Material	EN	ASTM
Casing and castings	Aluminium	EN 1706:AC-43100	ASTM AISi10mg
Strainer / Handle / Fasteners	Stainless steel	10088:X5CrNi18-10 (1.4301)	AISI 304
Shaft	Stainless steel	10088:X20Cr13 (1.4021)	AISI 420
Impeller	White cast iron	EN-GJN-HV600(XCr23)	ASTM A 532: Alloy III A
Wear parts / O-rings	Nitrile rubber		

LENNTECH
WATER TREATMENT SOLUTIONS

info@lenntech.com Tel. +31-152-610-900

www.lenntech.com Fax. +31-152-616-289