

ZeeWeed* ultrafiltration (UF)

model: ZW700B-4150/UF10/7B/S/0.9/9

description and use

As a pioneer of membrane technology, SUEZ lever-ages decades of research, development, and operational experience to offer the most advanced ultrafiltration technology in the market.

The ZeeWeed 700B-4150 (Figure 1) contains our SevenBore* fiber technology with an inside-out flow orientation. The SevenBore fiber is regarded as the most robust polyether sulfone (PES) product on the market.

product specifications element data

Description	ZW700B-4150
Material housing & connector	PVC
Housing length	1500 +/- 2.0 mm (59.06 inch +/- 0.08 inch)
Element length**	1642 +/- 3.0 mm (64.65 +/- 0.12 inch)
Element length	1700 +/- 3.0 mm (66.93 +/- 0.12 inch)
Distance permeate connector to feed connector**	236 +/- 2.0 mm (9.29 +/- 0.08 inch)
Distance permeate connector to feed connector	265 +/- 2.0 mm (10.43 +/- 0.08 inch)
Distance permeate connector to element center	90 +/- 2.0 mm (3.54 +/- 0.08 inch)
Permeate connection male OD	1 inch
Feed connection male OD	1 inch
Housing OD	110 mm (4.33 inch)

Element OD	125 mm (4.92 inch)
Endcaps ID**	32 mm (1.26 inch)
Weight	6.3 kg (14 lbs.)

**Without screw ends (provided separately)



Figure 1: ZW700B-4150

typical process conditions

Description	Measurement
Maximum operating temperature	40°C (104°F)
Maximum operating pressure	5 bars (72.5 psi)
Trans Membrane Pressure (TMP) operation	<1.0 bar (<14.5 psi)
TMP maximum	2.5 bar (36 psi)
Backwash/forward flush	250 l/m ² h (150 gfd)
Permeate flow at 100 l/m ² h	900 l/h (4 gpm)
pH range during operation	2 to 11

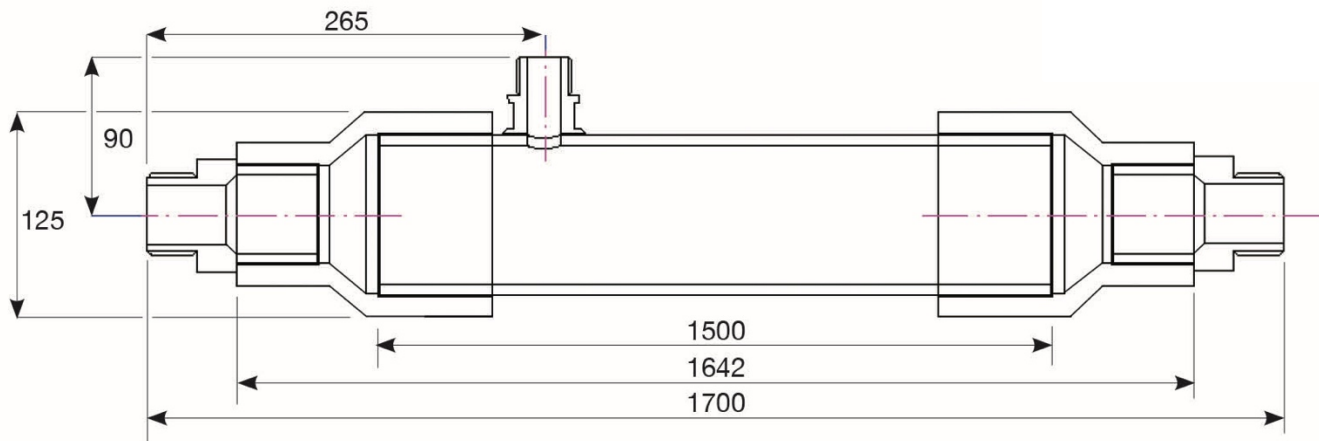


Figure 2: ZW700B-4150 Dimensions

membrane type

Description	Measurement
Material	PES
Type	SevenBore
Diameter bores ID	0.9 mm (0.04 inch)
Diameter fiber OD	4.0 mm (0.16 inch)
Area	9 m ² (97 ft ²)

cleaning

Description	Measurement
Soaking time during cleaning	5 minutes
Cleaning pH range	1.0-13.0
Disinfecting Chemical:	
Hypochlorite (NaOCl)	50 to 200 ppm
Hydrogen Peroxide (H ₂ O ₂)	100 to 200 ppm

general properties

- UF membrane - for optimal removal of particulates, bacteria, and viruses
- PES membrane fibers with 7 bores - provides high mechanical strength (>10x that of single fibers) and chemical resistance
- Inside-Out filtration - eliminates air scouring step and additional related equipment

storage and handling

All elements are filled with glycerin when new, which is part of the fiber manufacturing and preservation process. Elements must be stored in a dry and normal ventilated location, away from any sources of heat, ignition and direct sunlight in the original packing. The storage temperature must be between 5°C and 35°C (45°F to 91°F).

contact us

If you would like more information about SUEZ's UF products, please contact your SUEZ account representative or visit www.suezwatertechnologies.com.

LENNTECH
WATER TREATMENT SOLUTIONS

info@lennotech.com Tel. +31-152-610-900
www.lennotech.com Fax. +31-152-616-289