

## ZeeWeed\* Ultrafiltration (UF)

model: ZW700B-225/UF10/7B/S/0.9/0.25

### description and use

As a pioneer of membrane technology, SUEZ lever-ages decades of research, development, and operational experience to offer the most advanced ultrafiltration technology in the market.

The ZeeWeed 700B-225 (Figure 1) contains our SevenBore\* fiber technology with an inside-out flow orientation. The SevenBore fiber is regarded as the most robust polyether sulfone (PES) product on the market.

### product specifications element data

Description	ZW700B-225
Material housing & connector	PVC
Element length - socket	328 +/- 3.0 mm (12.91 +/- 0.12 inch)
Element length – BSP threaded adaptors	376 +/- 3.0 mm (14.37 +/- 0.12 inch)
Distance permeate connector to feed connector**	118 +/- 2.0 mm (4.64 +/- 0.08 inch)
Distance permeate connector to feed connector	144 +/-2.0 mm 5.66 +/- 0.08 inch)
Distance permeate connector to element center	55 +/-2.0 mm (2.16 +/- 0.08 inch)
Permeate connection	½ inch BSP thread
Feed connection	½ inch socket or BSP thread
Housing OD	50 mm (2 inch)
Element OD	50 mm (2 inch)
Endcaps ID**	25 mm (1 inch)
Weight	0.4 kg (1 lb.)

\*\*Without screw ends provided separately



Figure 1: ZW700B-225

### typical process conditions

Description	Measurement
Maximum operating temperature	40°C (104°F)
Maximum system pressure	5 bars (72.5 psi)
Trans Membrane Pressure (TMP) at operation	<1.0 bar (<14.5 psi)
TMP maximum	2.5 bar (36 psi)
Backwash/forward flush	250 l/m <sup>2</sup> h (150 gfd)
Permeate flow at 100 l/m <sup>2</sup> h	25 l/h (0.11 gpm)
pH range during operation	2 to 11

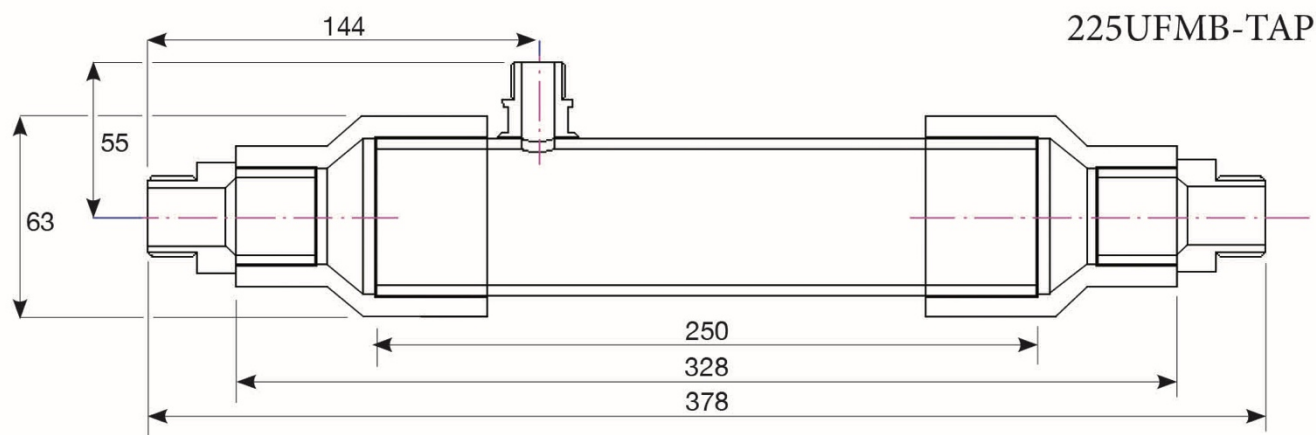


Figure 2: ZW700B-225 Dimensions

### membrane type

Description	Measurement
Material	PES
Type	SevenBore
Diameter bores ID	0.9 mm (0.04 inch)
Diameter fiber OD	4.0 mm (0.16 inch)
Area	0.25 m <sup>2</sup> (3 ft <sup>2</sup> )

### storage and handling

All elements are filled with glycerin when new, which is part of the fiber manufacturing, and preservation process. Elements must be stored in a dry and normal ventilated location, away from any sources of heat, ignition, and direct sunlight in the original packing. The storage temperature must be between 5°C and 35°C (45°F to 91°F).

### cleaning

Description	Measurement
Soaking time during cleaning	5 minutes
Cleaning pH range	1.0-13.0
Disinfecting Chemical:	
Hypochlorite (NaOCl)	50 to 200 ppm
Hydrogen Peroxide (H <sub>2</sub> O <sub>2</sub> )	100 to 200 ppm

### contact us

If you would like more information about SUEZ's UF products, please contact your SUEZ account representative or visit [suezwatertechnologies.com](http://suezwatertechnologies.com).

### general properties

- UF membrane - for optimal removal of particulates, bacteria, and viruses
- PES membrane fibers with 7 bores - provides high mechanical strength (>10x that of single fibers) and chemical resistance

**LENNTECH**  
WATER TREATMENT SOLUTIONS

info@lenntech.com Tel. +31-152-610-900  
www.lenntech.com Fax. +31-152-616-289