

LENNTECH

info@lenntech.com

www.lenntech.com

Tel. +31-15-261.09.00

Fax. +31-15-261.62.89



## ST SERIES STAINLESS STEEL FILTER HOUSINGS

- Heavy duty units for smaller filtration systems and point-of-use applications
- Brushed 304 stainless steel sump with a cast brass/nickel plated head
- Ideal for high-pressure/hot water applications
- Accepts complete range of standard double open end (DOE) cartridges

ST Series stainless steel filter housings effectively provide heavy-duty filtration for smaller filtration systems and point-of-use applications. Supplying flow rates of up to 20 gpm (76 Lpm), at a maximum water temperature of 300°F (149°C), ST Series housings are ideal for hot water and high-pressure applications not suited for plastic housings.

The brushed 304 stainless steel sumps are available with either a pipe plug or pet-cock in the bottom for draining. Heads are manufactured from nickel-plated cast-brass.

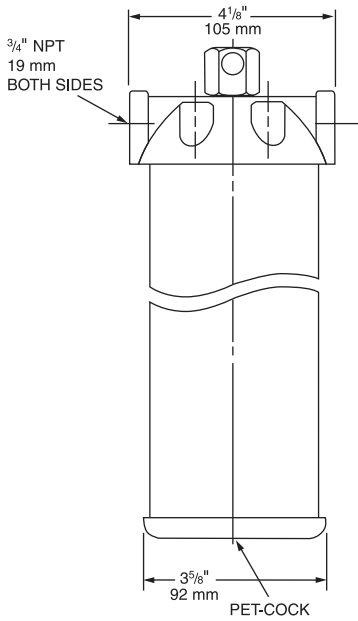
ST Series housings are easy to install and maintain. They are compatible with a complete range of filter cartridges, adding to their versatility.



**PENTEK**  
Pentair Water

# ST SERIES

## Stainless Steel Filter Housings



### Housing Specifications and Performance Data

Model	Maximum Dimensions	Flow Rate (gpm)	Maximum Pressure
ST-1	12 7/8" x 4 1/8" (327 mm x 105 mm)	10 gpm (38 Lpm)	250 psi (17.2 bar)
ST-2	22 3/4" x 4 1/8" (578 mm x 105 mm)	15 gpm (57 Lpm)	250 psi (17.2 bar)
ST-3	32 3/8" x 4 1/8" (822 mm x 105 mm)	20 gpm (76 Lpm)	250 psi (17.2 bar)

- Maximum cartridge diameter 3" (76 mm).
- Will not accept GAC, CC, CGAC, TSGAC, WS, PCF or PCC Series Cartridges.

### Materials of Construction

Housing	Brushed 304 Stainless Steel
Head	Brass/Nickel Plated
Maximum Temperature	300°F (149°C)
Pipe Size	3/4" NPT
Sealing Gaskets	Buna-N, Cellulose Fiber

WARNING: For drinking water applications, do not use with water that microbiologically unsafe or of unknown quality without adequate disinfection before or after the system.

CAUTION: Protect against freezing to prevent cracking of the filter and water leakage.

NOTE: Not recommended for applications with TDS or chlorides >1000 ppm and/or pH <5.0. Use of this product in these conditions will void the limited warranty. Consult factory for product modifications for these conditions.

# LENNTECH bv

Rotterdamseweg 402m  
 2629HH Delft  
 The Netherlands  
 info@lennotech.com  
 www.lennotech.com  
 Tel. +31-15-261.09.00  
 Fax. +31-15-261.62.89

