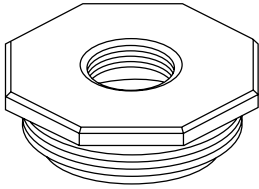
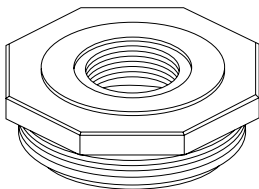


Threaded Adapters – 2.5" - 8 NPSM



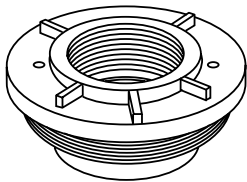
Part No.	Reduced to	Material	Max. Temp.	Max. Pressure
2751-3	0.75" NPT	PVC	120° F	150 PSI
2751-5	1" NPT	PVC	120° F	150 PSI
2751-8	1.25" NPT	PVC	120° F	150 PSI
2751-4	1.5" NPT	PVC	120° F	150 PSI
2751-6	2.25" - 16	PVC	120° F	150 PSI

Threaded Adapters – 4" - 8 UN



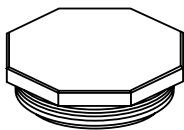
Part No.	Reduced to	Material	Max. Temp.	Max. Pressure
4821-6	1" NPT	CPVC	150° F	150 PSI
4821-12	1.25" NPT	CPVC	150° F	150 PSI
4821-7	1.5" NPT	CPVC	150° F	150 PSI
4821-8	2" NPT	CPVC	150° F	150 PSI
4821-17	2" - 11.5 NPSM	CPVC	150° F	150 PSI
4821-2	2.5" - 8 NPSM	CPVC	150° F	150 PSI
4821-4	3" - 8 UN	CPVC	150° F	150 PSI
4821-11	2.375" Bored	CPVC	150° F	150 PSI

Threaded Adapters – 6" - 8 UN



Part No.	Reduced to	Material	Max. Temp.	Max. Pressure
4125-003	3" FPT	NORYL	150° F	150 PSI

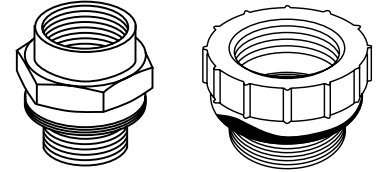
Threaded Closures



Part No.	Opening	Material	Max. Temp.	Max. Pressure
2751-1	2.5" - 8 NPSM	PVC	120° F	150 PSI
4821-1	4" - 8 UN	CPVC	150° F	150 PSI
2695-1	6" - 8 UN	CPVC	150° F	150 PSI

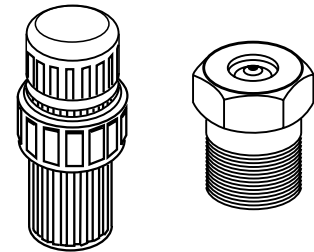
Brass Side Adapters

Part No.	Reduced to	Max. Temp.	Max. Pressure
1661	0.75" NPT to 0.75" FNPT	150° F	150 PSI
2829	1.5" NPT to 1.5" FNPT	150° F	150 PSI

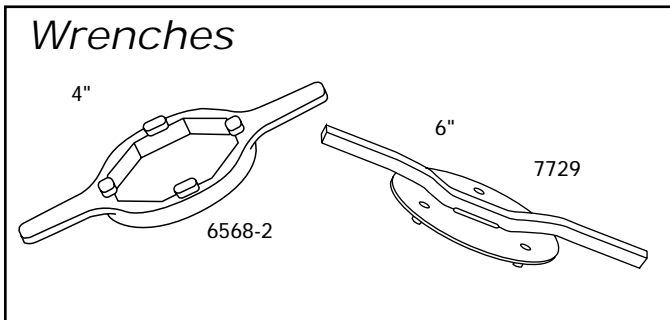


Vacuum Breakers

Part No.	Max. Temp.	Max. Pressure	Connection
10725	150° F	150 PSI	1" FNPT
10724	120° F	125 PSI	1.5" MNPT



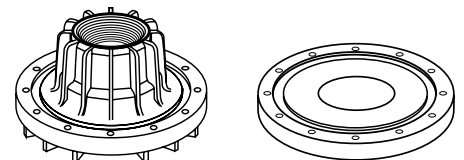
Replacement O-rings



Opening	Standard (EPDM)	Chemical (Viton)
2" Elbow	2694-120	2694-36
2.5" Thread	2694-112	2694-20
4" Thread	2694-114	2694-21
4" ANSI Flange	2694-136	2694-139
6" Thread	2694-68	2694-148
6" SNA Flange	2694-69	2694-45
10" ANSI Flange	2694-132	2694-133
16" MWY Flange	2694-131	2694-130

SNA Flanged Adapters

Part No.	Flange Size	Material	Adapt to	Drain
10659	6" SNA	CPVC	1" NPT	No
10660	6" SNA	CPVC	1.5" NPT	No
10661	6" SNA	CPVC	2" NPT	No
10662	6" SNA	CPVC	3" NPT	No
10663	6" SNA	CPVC	4" NPT	No
5292	6" SNA	NORYL	3" NPT to 3" NPT	Yes
5267	6" SNA	NORYL	3" NPT to 3" NPT	No
5295	6" SNA	NORYL	3" NPT to 4"- 8 UN	No
10566	6" SNA	NORYL	4"- 8 UN	No

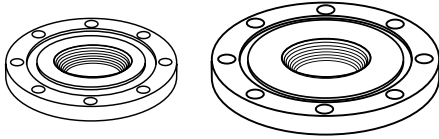


150 PSI / 150° F

Kits come complete with standard o-ring and hardware.

Replacement hardware:
CPVC – 5310
Noryl – 4750

ANSI Flanged Adapters

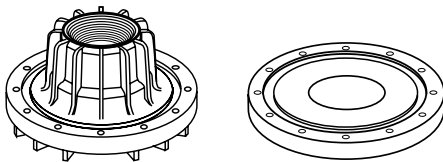


Kits come complete with standard o-ring and hardware.

Replacement hardware:
4" - 5257 10" - 5754

Part No.	Flange Size	Material	Adapt to
5276	4" ANSI	CPVC	3" NPSM
10673	4" ANSI	CPVC	2" NPT
10674	4" ANSI	CPVC	3" NPT
11929	10" ANSI	CPVC	4" NPT
11930	10" ANSI	CPVC	6" NPT

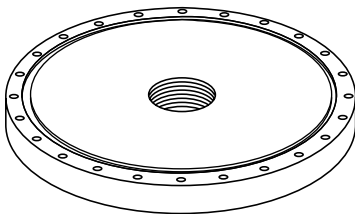
Closures



Kits come complete with standard o-ring and hardware.

Part No.	Flange Size	Material
5296	6" SNA	NORYL
10658	6" SNA	CPVC
5259	4" ANSI	CPVC
10472	4" ANSI	Acrylic
10139	10" ANSI	CPVC

Manway Closures/Adapters

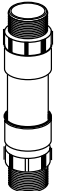
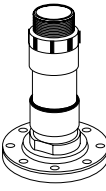

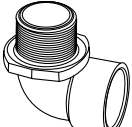


Kits come complete with standard o-ring and hardware.

Replacement hardware: 10107

Part No.	Opening	Reduced to	Material	Max. Temp.	Max. Pressure
10108	16" MWY	2" NPT	Vinylester	150° F	150 PSI
14644	16" MWY	3" NPT to 3" NPT	Vinylester	150° F	150 PSI
10582	16" MWY	2" NPT	CPVC	150° F	100 PSI
10583	16" MWY	3" NPT	CPVC	150° F	100 PSI
10584	16" MWY	4" NPT	CPVC	150° F	100 PSI
11294	16" MWY	3" NPT to 3" NPT	CPVC	150° F	100 PSI
11295	16" MWY	4" NPT to 4" NPT	CPVC	150° F	100 PSI
5294	16" MWY	2" NPT	Stainless	150° F	150 PSI

Connector Accessories

	<table border="1" style="width: 100%; border-collapse: collapse;"> <thead> <tr> <th colspan="2">Flexible Assembly (NPT - NPT)</th> </tr> </thead> <tbody> <tr> <td style="text-align: center;">5285</td> <td style="text-align: center;">2" NPT x 2" NPT</td> </tr> <tr> <td style="text-align: center;">5286</td> <td style="text-align: center;">3" NPT x 3" NPT</td> </tr> </tbody> </table>	Flexible Assembly (NPT - NPT)		5285	2" NPT x 2" NPT	5286	3" NPT x 3" NPT		<table border="1" style="width: 100%; border-collapse: collapse;"> <thead> <tr> <th colspan="2">Flexible Assembly (Flanged)</th> </tr> </thead> <tbody> <tr> <td style="text-align: center;">5239</td> <td style="text-align: center;">4" Flanged to 3" NPT (CPVC) 150 psi/150° F</td> </tr> </tbody> </table>	Flexible Assembly (Flanged)		5239	4" Flanged to 3" NPT (CPVC) 150 psi/150° F
Flexible Assembly (NPT - NPT)													
5285	2" NPT x 2" NPT												
5286	3" NPT x 3" NPT												
Flexible Assembly (Flanged)													
5239	4" Flanged to 3" NPT (CPVC) 150 psi/150° F												
	<table border="1" style="width: 100%; border-collapse: collapse;"> <thead> <tr> <th colspan="2">Connector</th> </tr> </thead> <tbody> <tr> <td style="text-align: center;">5045</td> <td style="text-align: center;">3" NPSM x 3" NPT (CPVC)</td> </tr> </tbody> </table>	Connector		5045	3" NPSM x 3" NPT (CPVC)		<table border="1" style="width: 100%; border-collapse: collapse;"> <thead> <tr> <th colspan="2">Elbow</th> </tr> </thead> <tbody> <tr> <td style="text-align: center;">5201</td> <td style="text-align: center;">2" NPSM to 2" Slip (CPVC) 150 psi/150° F</td> </tr> </tbody> </table>	Elbow		5201	2" NPSM to 2" Slip (CPVC) 150 psi/150° F		
Connector													
5045	3" NPSM x 3" NPT (CPVC)												
Elbow													
5201	2" NPSM to 2" Slip (CPVC) 150 psi/150° F												

Kits come complete with standard o-ring and hardware (if required).