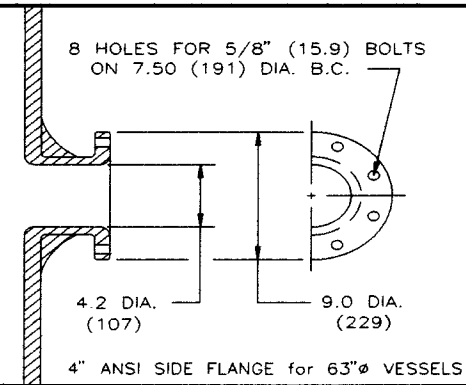
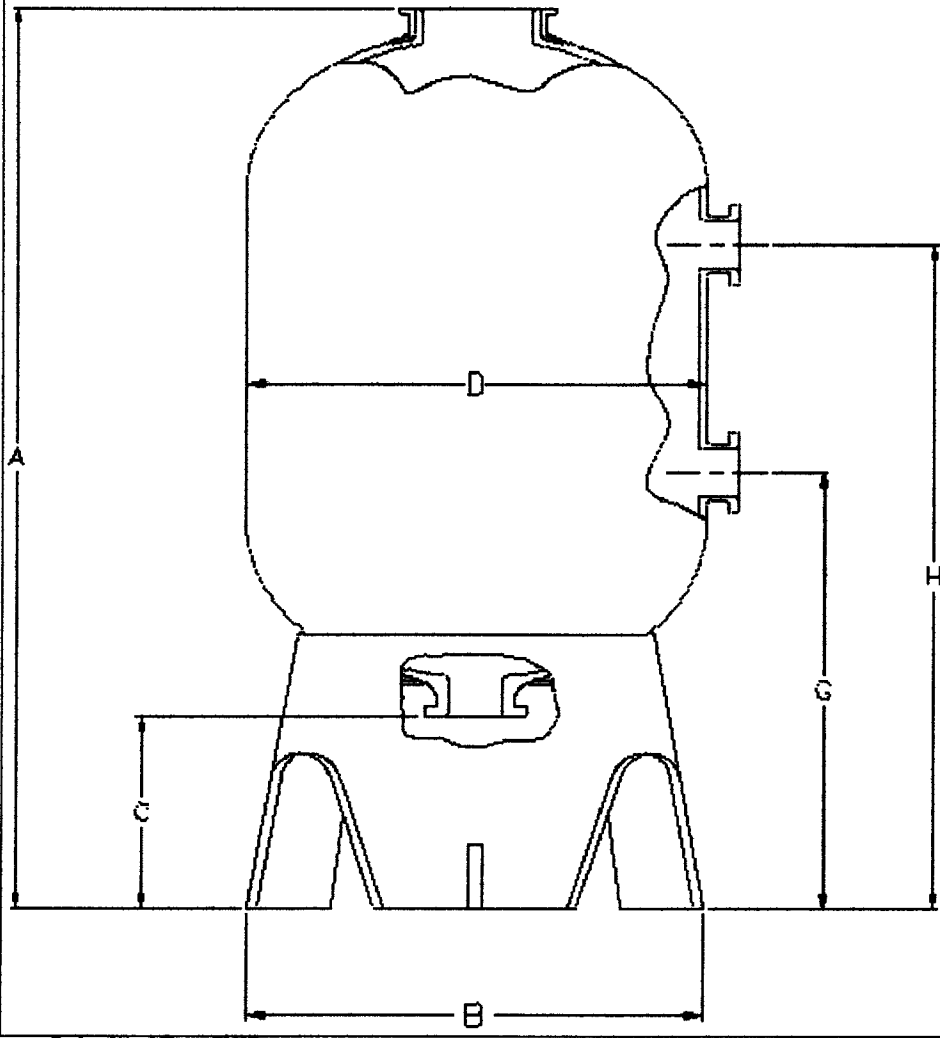
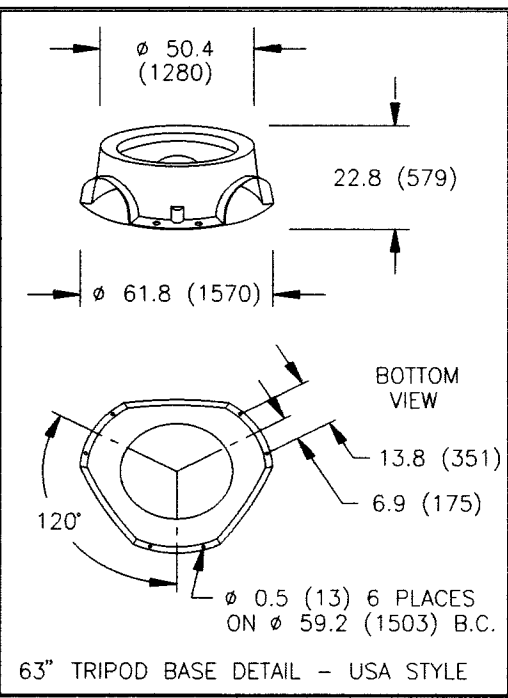
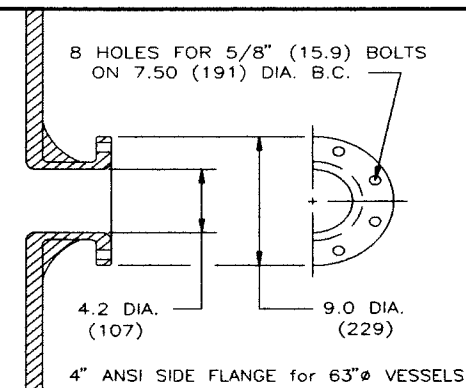
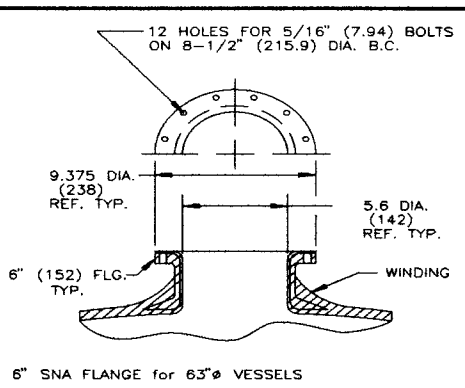
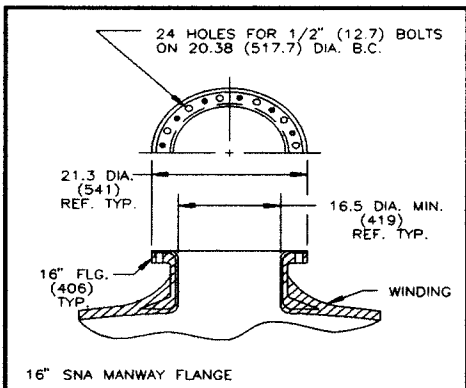


The descriptions and dimensions contained in this drawing are intended for sales quotation purposes.



SLR NUMBER = 18676
A [IN] = 97
B [IN] = 61.8
C [IN] = 12.5
D [IN] = 64
G [IN] = 44.5
H [IN] = 63.9
MAX PSI = 150
MAX TEMP (F) = 150/210
DOME VOL (GAL) = 168
TANK VOL (GAL) = 850
TANK SIZE = 63 x 86

Submitted By: CWG



Oct 20, 2004

Ver3.5R