

Polyval™

Pleated Polypropylene Cartridges

Pentair Polyval™ pleated polypropylene cartridges meet the increasing needs for particle free water across a broad range of industries. The wide range of available filtration efficiencies allows industrial sites to address their varying application needs from raw water clean up to membrane filter protection with a single product line.

Specifications

- All polypropylene construction
- 0.2 to 40 micron rating
- Up to 99.99% efficient
- Gradient density micro-fibre media
- High Surface area
- No fibre migration
- Manufactured in clean room conditions. Process and product quality control to ISO 9001:2000 quality accreditation
- In-house manufacture of components parts ensuring high quality materials used and complete product traceability

Benefits

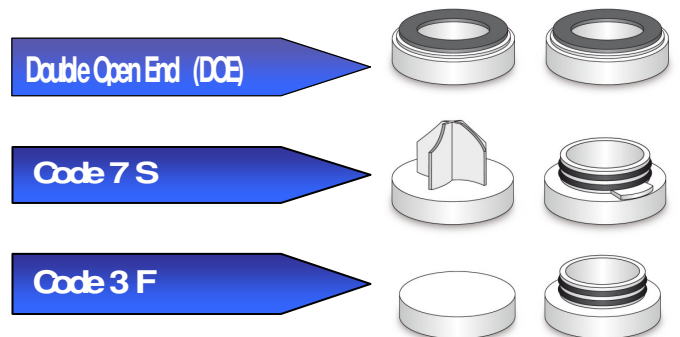
- Consistent filtration performance
- Optimised pleated structure to ensure 100% area utilisation
- Fit into most existing filtration housings
- Simple to install and remove cartridges

End Cap Styles

A range of alternate end cap fittings are available for our range of pleated cartridges to fit our housings and most competitor's housings. Gaskets and O-rings are available in a range of materials.

Applications

- Municipal or bore hole water filtration
- Process water filtration to protect sensitive production equipment and products
- Boiler feed water filtration
- Re-use water filtration
- Chemical filtration



LENNTECH

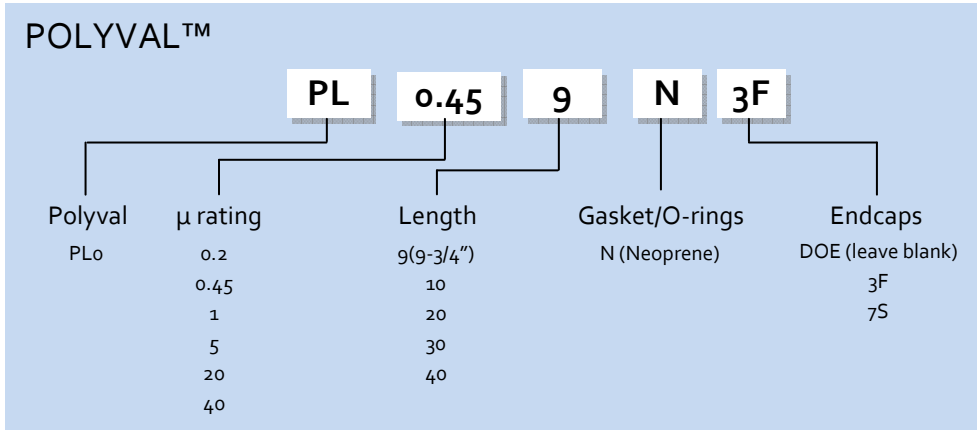
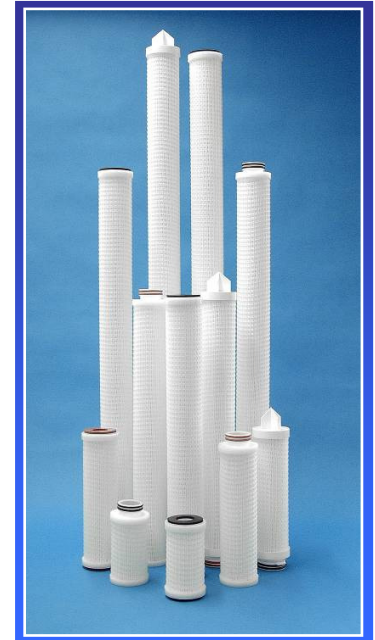
info@lennotech.com Tel. +31-152-610-900
www.lennotech.com Fax. +31-152-616-289

Pleated Cartridges



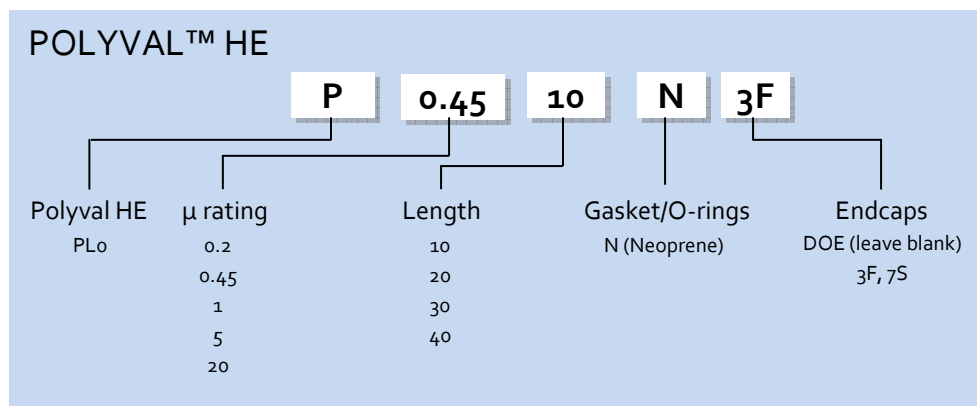
Polyval™ Standard Pleated Cartridges (90% efficiency)

Built with a continuous length pleat structure and supporting outer cage, Polyval™ is a cost effective way to address both coarse and fine filtration challenges



Polyval™ HE High Efficiency (98% efficiency)

The pleated Polypropylene High Efficiency filters use superior gradient density micro fiber media technology to provide an excellent combination of highly efficient filtration with high flow rates and high contaminant holding capacity. The outer cage is constructed of 10" elements, for improved solidity.



LENNTECH

info@lennotech.com Tel. +31-152-610-900
www.lennotech.com Fax. +31-152-616-289

