

## INDUSTRIAL E SERIES CARTRIDGE HOUSINGS



The E Series Multi-Cartridge Housings offer outstanding durability and corrosion resistance across a wide variety of industrial and commercial applications. Constructed from 304 or 316L stainless steel, these housings accept a wide variety of cartridge types. This gives the user flexibility to choose the number, type, and size of cartridges needed for chemical compatibility and particle retention.

Quality workmanship and design assure clean effluent and consistent, reliable performance. Simple to install and maintain, the E Series Multi-Cartridge Housings feature a band clamp closure that makes cartridge change-outs quick and easy.

### FEATURES/BENEFITS

Flow rates up to 150 gpm (568 Lpm)	304 or 316L construction
Accepts 20", 30" or 40" (508, 762 or 1016 mm) double open end (DOE) cartridges, depending on model	Each housing is factory hydro-tested
100 psi (6.9 bar) pressure rating	Band clamp closure
	Polished external finish

### APPLICATIONS

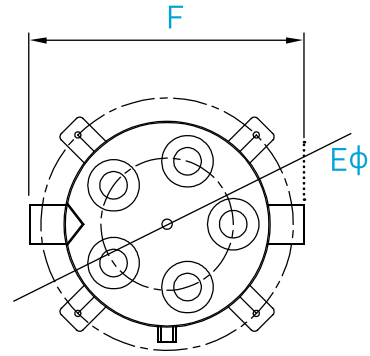
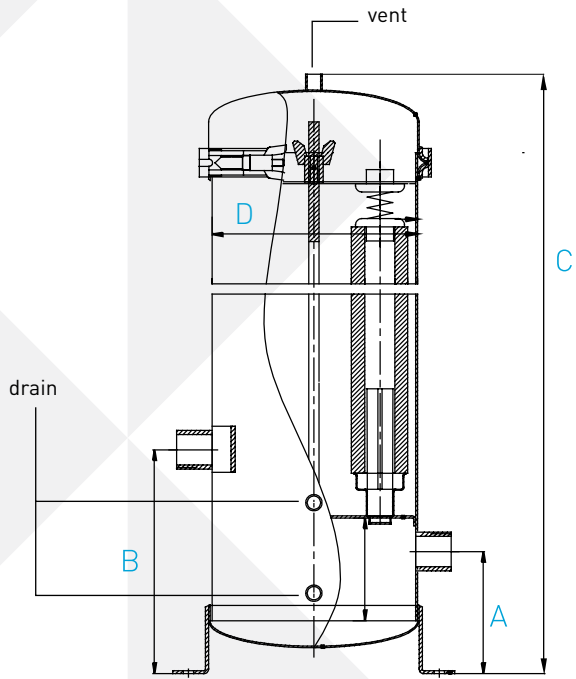
Water	Oil and Gas
General Industrial	Food & Beverage
Chemical	Commercial

## SPECIFICATIONS

Pressure Rating	100 psi @ 300°F (6.9 bar @ 148.9°C)
Construction	304 or 316L Stainless Steel, polished finish on outside
Connections	2" NPT
Housing Lid	Band clamp closure
Lid Seal	EPDM

## DIMENSIONS

MODEL	NUMBER OF CARTRIDGES	CARTRIDGE LENGTH	DIMENSIONS									WEIGHT	
				A	B	C	D	E φ	F	VENT	DRAIN		
ESC3	3	20	IN	4.7	8.7	33.5	6.7	8.5	9.1	0.25	0.5	LBS	70
			MM	120	220	850	170	216	230	6	13	KG	32
		30	IN	4.7	8.7	43.3	6.7	8.5	9.1	0.25	0.5	LBS	75
			MM	120	220	1100	170	216	230	6	13	KG	34
		40	IN	4.7	8.7	53.1	6.7	8.5	9.1	0.25	0.5	LBS	79
			MM	120	220	1350	170	216	230	6	13	KG	36
ESC5	5	20	IN	4.7	8.7	33.9	7.9	9.8	10.2	0.25	0.5	LBS	81
			MM	120	220	860	200	248	260	6	13	KG	37
		30	IN	4.7	8.7	43.7	7.9	9.8	10.2	0.25	0.5	LBS	86
			MM	120	220	1110	200	248	260	6	13	KG	39
		40	IN	4.7	8.7	53.5	7.9	9.8	10.2	0.25	0.5	LBS	90
			MM	120	220	1360	200	248	260	6	13	KG	41
ESC7	7	20	IN	4.7	8.7	34.3	9.8	12.2	12.2	0.25	1	LBS	88
			MM	120	220	870	250	310	310	6	25	KG	40
		30	IN	4.7	8.7	44.1	9.8	12.2	12.2	0.25	1	LBS	92
			MM	120	220	1120	250	310	310	6	25	KG	42
		40	IN	4.7	8.7	53.9	9.8	12.2	12.2	0.25	1	LBS	99
			MM	120	220	1370	250	310	310	6	25	KG	45



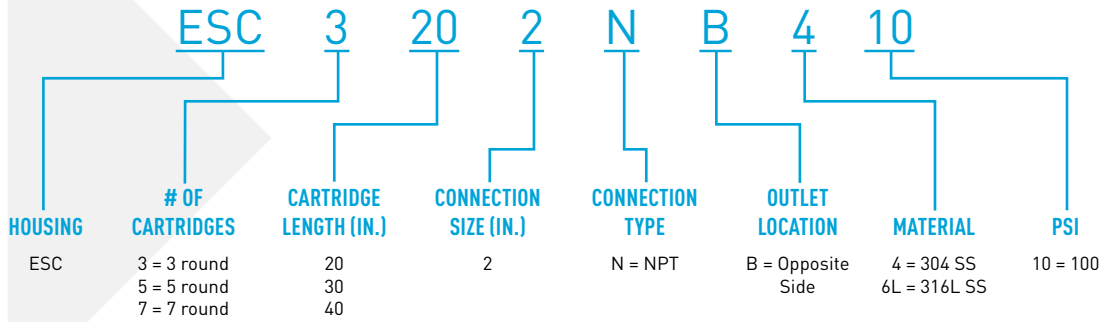
(ESC5 shown here)

## ORDERING INFORMATION

To create your ordering part number, use the part number configurator below.  
 Custom configurations available. Please contact customer service.

### HOUSING EXAMPLE: ESC3202NB410

E Series Cartridge Housing (ESC), holds three (3) 20" cartridges (20), 2" connection (2)  
 NPT connection (N), Opposite side outlet (B), 304 SS (4), 100 psi (10)





FILTRATION & PROCESS

*LENNTECH*

info@lenntech.com Tel. +31-152-610-900

www.lenntech.com Fax. +31-152-616-289

All Pentair trademarks and logos are owned by Pentair, Inc. or its affiliates. All other registered and unregistered trademarks and logos are the property of their respective owners. Because we are continuously improving our products and services, Pentair reserves the right to change specifications without prior notice. Pentair is an equal opportunity employer.

4003311 Rev B DE14 © 2014 Pentair Residential Filtration, LLC. All rights reserved.