

INDUSTRIAL MULTI-ROUND SERIES CARTRIDGE HOUSINGS



Multi-Round Liquid Cartridge Housings offer the versatility of choosing the correct cartridges for the needed flow rates, chemical compatibility and particle retention.

FEATURES/BENEFITS

Flow rates from 120 to 4100 gpm (454.2 to 15,518.5 Lpm)

Carbon or Stainless Steel construction

Bearing assisted davit assemblies

Buna-N lid seals

316 Stainless Steel cup and spring assemblies

150 PSI (10.3 bar) pressure rating

Differential, drain and vent ports

Heavy-duty support legs

Two-part epoxy finish inside and outside on carbon steel housings

316 Stainless Steel center guide posts

Zinc-plated swing bolts and eye nuts

11-round to 205-round capacity

Made to accept double open end cartridges (DOE) or 222 style with closed top cap*

APPLICATIONS

Commercial

General Industrial

OPTIONS

Duplexing for continual flow during maintenance

Hydraulic lid lift

Higher pressure rating

226 style cartridge compatibility

ASME Code U

Various connection sizes and types

** Note: Type of element top which will be used must be noted at the time of the housing order.*

DIMENSIONS

MODEL	# OF ELEMENTS	CARTRIDGE LENGTH	CONNECTION SIZE		DIMENSIONS														WEIGHT	
					A	B	C	D	E	F	G	H	I	J	K	L	M	LBS	KG	
C1212	11	20"	2	IN	12.0	2.0	42.3	59.8	8.0	11.0	9.4	8.7	20.5	40.4	57.9	11.0	6.0	LBS	400	
				MM	305	51	1,075	1,519	203	279	238	221	521	1,027	1,472	279	152	KG	181	
			3	IN	12.0	3.0	44.3	61.8	10.0	11.0	9.4	8.7	20.5	41.6	59.1	11.0	6.0	LBS	410	
				MM	305	76	1,125	1,570	254	279	238	221	521	1,056	1,500	279	152	KG	186	
			4	IN	12.0	4.0	46.8	64.3	12.5	11.0	9.4	8.7	20.5	42.6	60.1	11.0	6.0	LBS	420	
				MM	305	102	1,189	1,633	318	279	238	221	521	1,081	1,526	279	152	KG	190	
		30"	2	IN	12.0	2.0	52.3	69.8	8.0	11.0	9.4	8.7	20.5	50.4	67.9	11.0	6.0	LBS	400	
				MM	305	51	1,329	1,773	203	279	238	221	521	1,281	1,726	279	152	KG	181	
			3	IN	12.0	3.0	54.3	71.8	10.0	11.0	9.4	8.7	20.5	51.6	69.1	11.0	6.0	LBS	410	
				MM	305	76	1,379	1,824	254	279	238	221	521	1,310	1,754	279	152	KG	186	
			4	IN	12.0	4.0	56.8	74.3	12.5	11.0	9.4	8.7	20.5	52.6	70.1	11.0	6.0	LBS	420	
				MM	305	102	1,443	1,887	318	279	238	221	521	1,335	1,780	279	152	KG	190	
	40"	2	IN	12.0	2.0	62.3	79.8	8.0	11.0	9.4	8.7	20.5	60.4	77.9	11.0	6.0	LBS	400		
			MM	305	51	1,583	2,027	203	279	238	221	521	1,535	1,980	279	152	KG	181		
		3	IN	12.0	3.0	64.3	81.8	10.0	11.0	9.4	8.7	20.5	61.6	79.1	11.0	6.0	LBS	410		
			MM	305	76	1,633	2,078	254	279	238	221	521	1,564	2,008	279	152	KG	186		
		4	IN	12.0	4.0	66.8	84.3	12.5	11.0	9.4	8.7	20.5	62.6	80.1	11.0	6.0	LBS	420		
			MM	305	102	1,697	2,141	318	279	238	221	521	1,589	2,034	279	152	KG	190		
	C1616	20	20"	2	IN	16.0	2.0	40.4	61.8	8.0	13.0	11.1	11.1	20.5	38.5	59.9	11.0	6.0	LBS	400
					MM	406	51	1,026	1,570	203	330	281	281	521	978	1,522	279	152	KG	181
				3	IN	16.0	3.0	42.4	63.9	10.0	13.0	11.1	11.1	20.5	39.6	61.1	11.0	6.0	LBS	410
					MM	406	76	1,077	1,623	254	330	281	281	521	1,007	1,551	279	152	KG	186
				4	IN	16.0	4.0	46.1	66.3	12.5	13.0	11.1	11.1	20.5	40.7	62.1	11.0	6.0	LBS	420
					MM	406	102	1,170	1,684	318	330	281	281	521	1,034	1,576	279	152	KG	190
30"			2	IN	16.0	2.0	50.4	71.8	8.0	13.0	11.1	11.1	20.5	48.5	69.9	11.0	6.0	LBS	400	
				MM	406	51	1,280	1,824	203	330	281	281	521	1,232	1,776	279	152	KG	181	
			3	IN	16.0	3.0	52.4	73.9	10.0	13.0	11.1	11.1	20.5	49.6	71.1	11.0	6.0	LBS	410	
				MM	406	76	1,331	1,877	254	330	281	281	521	1,261	1,805	279	152	KG	186	
			4	IN	16.0	4.0	56.1	76.3	12.5	13.0	11.1	11.1	20.5	50.7	72.1	11.0	6.0	LBS	420	
				MM	406	102	1,424	1,938	318	330	281	281	521	1,288	1,830	279	152	KG	190	
40"		2	IN	16.0	2.0	60.4	81.8	8.0	13.0	11.1	11.1	20.5	58.5	79.9	11.0	6.0	LBS	400		
			MM	406	51	1,534	2,078	203	330	281	281	521	1,486	2,030	279	152	KG	181		
		3	IN	16.0	3.0	62.4	83.9	10.0	13.0	11.1	11.1	20.5	59.6	81.1	11.0	6.0	LBS	410		
			MM	406	76	1,585	2,131	254	330	281	281	521	1,515	2,059	279	152	KG	186		
		4	IN	16.0	4.0	66.1	86.3	12.5	13.0	11.1	11.1	20.5	60.7	82.1	11.0	6.0	LBS	420		
			MM	406	102	1,678	2,192	318	330	281	281	521	1,542	2,084	279	152	KG	190		

All dimensions are approximate.

DIMENSIONS (CONTINUED)

MODEL	# OF ELEMENTS	CARTRIDGE LENGTH	CONNECTION SIZE	DIMENSIONS														WEIGHT		
				A	B	C	D	E	F	G	H	I	J	K	L	M	LBS	KG		
C1818	26	20"	2	IN	18.0	2.0	40.6	59.5	8.0	14.0	12.1	12.4	20.5	38.8	57.8	11.0	6.0	LBS	525	
				MM	457	51	1,032	1,511	203	356	308	314	521	986	1,467	279	152	KG	238	
			3	IN	18.0	3.0	42.7	61.6	10.0	14.0	12.1	12.4	20.5	39.9	58.9	11.0	6.0	LBS	535	
				MM	457	76	1,084	1,565	254	356	308	314	521	1,014	1,496	279	152	KG	243	
			4	IN	18.0	4.0	45.1	64.1	12.5	14.0	12.1	12.4	20.5	40.9	59.9	11.0	6.0	LBS	545	
				MM	457	102	1,146	1,627	318	356	308	314	521	1,040	1,521	279	152	KG	247	
		30"	2	IN	18.0	2.0	50.6	69.5	8.0	14.0	12.1	12.4	20.5	48.8	67.8	11.0	6.0	LBS	525	
				MM	457	51	1,286	1,765	203	356	308	314	521	1,240	1,721	279	152	KG	238	
			3	IN	18.0	3.0	52.7	71.6	10.0	14.0	12.1	12.4	20.5	49.9	68.9	11.0	6.0	LBS	535	
				MM	457	76	1,338	1,819	254	356	308	314	521	1,268	1,750	279	152	KG	243	
			4	IN	18.0	4.0	55.1	74.1	12.5	14.0	12.1	12.4	20.5	50.9	69.9	11.0	6.0	LBS	545	
				MM	457	102	1,400	1,881	318	356	308	314	521	1,294	1,775	279	152	KG	247	
	40"	2	IN	18.0	2.0	60.6	79.5	8.0	14.0	12.1	12.4	20.5	58.8	77.8	11.0	6.0	LBS	525		
			MM	457	51	1,540	2,019	203	356	308	314	521	1,494	1,975	279	152	KG	238		
		3	IN	18.0	3.0	62.7	81.6	10.0	14.0	12.1	12.4	20.5	59.9	78.9	11.0	6.0	LBS	535		
			MM	457	76	1,592	2,073	254	356	308	314	521	1,522	2,004	279	152	KG	243		
		4	IN	18.0	4.0	65.1	84.1	12.5	14.0	12.1	12.4	20.5	60.9	79.9	11.0	6.0	LBS	545		
			MM	457	102	1,654	2,135	318	356	308	314	521	1,548	2,029	279	152	KG	247		
	C2424	50	20"	3	IN	24.0	3.0	43.9	64.3	10.0	17.0	15.2	16.7	20.5	41.2	61.6	13.0	6.0	LBS	625
					MM	610	76	1,116	1,633	254	432	386	424	521	1,046	1,564	330	152	KG	283
				4	IN	24.0	4.0	46.4	66.8	12.5	17.0	15.2	16.7	20.5	42.2	62.6	13.0	6.0	LBS	635
					MM	610	102	1,178	1,695	318	432	386	424	521	1,072	1,589	330	152	KG	288
				6	IN	24.0	6.0	50.3	70.6	16.5	17.0	15.2	16.7	20.5	44.3	64.6	13.0	6.0	LBS	645
					MM	610	152	1,276	1,794	419	432	386	424	521	1,124	1,642	330	152	KG	293
30"			3	IN	24.0	3.0	53.9	74.3	10.0	17.0	15.2	16.7	20.5	51.2	71.6	13.0	6.0	LBS	625	
				MM	610	76	1,370	1,887	254	432	386	424	521	1,300	1,818	330	152	KG	283	
			4	IN	24.0	4.0	56.4	76.8	12.5	17.0	15.2	16.7	20.5	52.2	72.6	13.0	6.0	LBS	635	
				MM	610	102	1,432	1,949	318	432	386	424	521	1,326	1,843	330	152	KG	288	
			6	IN	24.0	6.0	60.3	80.6	16.5	17.0	15.2	16.7	20.5	54.3	74.6	13.0	6.0	LBS	645	
				MM	610	152	1,530	2,048	419	432	386	424	521	1,378	1,896	330	152	KG	293	
40"		3	IN	24.0	3.0	63.9	84.3	10.0	17.0	15.2	16.7	20.5	61.2	81.6	13.0	6.0	LBS	625		
			MM	610	76	1,624	2,141	254	432	386	424	521	1,554	2,072	330	152	KG	283		
		4	IN	24.0	4.0	66.4	86.8	12.5	17.0	15.2	16.7	20.5	62.2	82.6	13.0	6.0	LBS	635		
			MM	610	102	1,686	2,203	318	432	386	424	521	1,580	2,097	330	152	KG	288		
		6	IN	24.0	6.0	70.3	90.6	16.5	17.0	15.2	16.7	20.5	64.3	84.6	13.0	6.0	LBS	645		
			MM	610	152	1,784	2,302	419	432	386	424	521	1,632	2,150	330	152	KG	293		

All dimensions are approximate.

DIMENSIONS (CONTINUED)

MODEL	# OF ELEMENTS	CARTRIDGE LENGTH	CONNECTION SIZE		DIMENSIONS													WEIGHT	
					A	B	C	D	E	F	G	H	I	J	K	L	M	LBS	KG
C3030	78	20"	3	IN	30.0	3.0	48.9	70.8	10.0	20.0	18.2	20.9	20.5	46.1	68.0	13.0	6.0	LBS	665
				MM	762	76	1,242	1,797	254	508	462	531	521	1,172	1,727	330	152	KG	302
			4	IN	30.0	4.0	51.3	73.2	12.5	20.0	18.2	20.9	20.5	47.1	69.0	13.0	6.0	LBS	705
				MM	762	102	1,303	1,859	318	508	462	531	521	1,197	1,753	330	152	KG	320
			6	IN	30.0	6.0	55.3	77.1	16.5	20.0	18.2	20.9	20.5	49.2	71.1	13.0	6.0	LBS	850
				MM	762	152	1,403	1,959	419	508	462	531	521	1,249	1,805	330	152	KG	385
		30"	3	IN	30.0	3.0	58.9	80.8	10.0	20.0	18.2	20.9	20.5	56.1	78.0	13.0	6.0	LBS	665
				MM	762	76	1,496	2,051	254	508	462	531	521	1,426	1,981	330	152	KG	302
			4	IN	30.0	4.0	61.3	83.2	12.5	20.0	18.2	20.9	20.5	57.1	79.0	13.0	6.0	LBS	705
				MM	762	102	1,557	2,113	318	508	462	531	521	1,451	2,007	330	152	KG	320
			6	IN	30.0	6.0	65.3	87.1	16.5	20.0	18.2	20.9	20.5	59.2	81.1	13.0	6.0	LBS	850
				MM	762	152	1,657	2,213	419	508	462	531	521	1,503	2,059	330	152	KG	385
40"	3	IN	30.0	3.0	68.9	90.8	10.0	20.0	18.2	20.9	20.5	66.1	88.0	13.0	6.0	LBS	665		
		MM	762	76	1,750	2,305	254	508	462	531	521	1,680	2,235	330	152	KG	302		
	4	IN	30.0	4.0	71.3	93.2	12.5	20.0	18.2	20.9	20.5	67.1	89.0	13.0	6.0	LBS	705		
		MM	762	102	1,811	2,367	318	508	462	531	521	1,705	2,261	330	152	KG	320		
	6	IN	30.0	6.0	75.3	97.1	16.5	20.0	18.2	20.9	20.5	69.2	91.1	13.0	6.0	LBS	850		
		MM	762	152	1,911	2,467	419	508	462	531	521	1,757	2,313	330	152	KG	385		
C3636	112	20"	4	IN	36.0	4.0	48.9	70.8	12.5	25.0	24.6	25.3	30.5	46.1	68.0	15.0	6.0	LBS	870
				MM	914	102	1,242	1,797	318	635	624	643	775	1,172	1,727	381	152	KG	395
			6	IN	36.0	6.0	51.3	73.2	16.5	25.0	24.6	25.3	30.5	47.1	69.0	15.0	6.0	LBS	1,010
				MM	914	152	1,303	1,859	419	635	624	643	775	1,197	1,753	381	152	KG	458
			8	IN	36.0	8.0	55.3	77.1	20.8	25.0	24.6	25.3	30.5	49.2	71.1	15.0	6.0	LBS	1,150
				MM	914	203	1,403	1,959	528	635	624	643	775	1,249	1,805	381	152	KG	522
		30"	4	IN	36.0	4.0	58.9	80.8	10.0	20.0	18.2	20.9	20.5	56.1	78.0	13.0	6.0	LBS	870
				MM	914	102	1,496	2,051	254	508	462	531	521	1,426	1,981	330	152	KG	395
			6	IN	36.0	6.0	61.3	83.2	12.5	20.0	18.2	20.9	20.5	57.1	79.0	13.0	6.0	LBS	1,010
				MM	914	152	1,557	2,113	318	508	462	531	521	1,451	2,007	330	152	KG	458
			8	IN	36.0	8.0	65.3	87.1	16.5	20.0	18.2	20.9	20.5	59.2	81.1	13.0	6.0	LBS	1,150
				MM	914	203	1,657	2,213	419	508	462	531	521	1,503	2,059	330	152	KG	522
40"	4	IN	36.0	4.0	74.7	99.6	12.5	25.0	24.6	25.3	30.5	68.2	93.1	15.0	6.0	LBS	870		
		MM	914	102	1,897	2,531	318	635	623.8	643	775	1,732	2,366	381	152	KG	395		
	6	IN	36.0	6.0	78.9	103.8	16.5	25.0	24.6	25.3	30.5	70.3	95.3	15.0	6.0	LBS	1,010		
		MM	914	152	2,004	2,637	419	635	624	643	775	1,786	2,419	381	152	KG	458		
	8	IN	36.0	8.0	83.1	108.1	20.8	25.0	24.6	25.3	30.5	72.3	97.3	15.0	6.0	LBS	1,150		
		MM	914	203	2,112	2,747	528	635	624	643	775	1,837	2,470	381	152	KG	522		

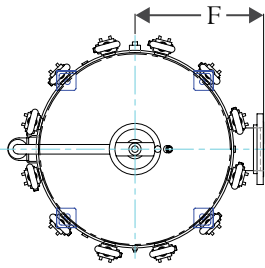
All dimensions are approximate.

DIMENSIONS (CONTINUED)

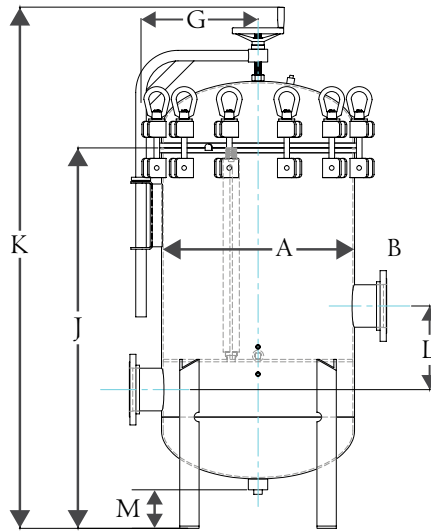
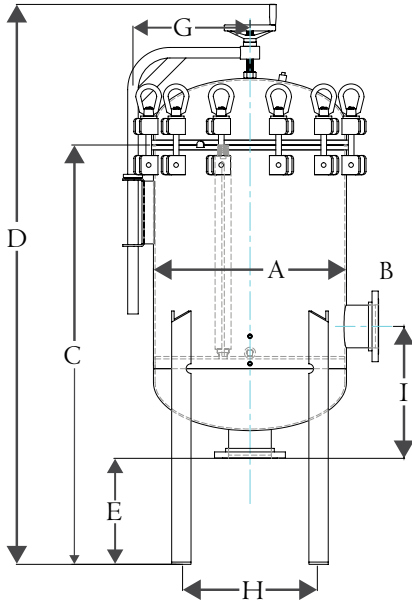
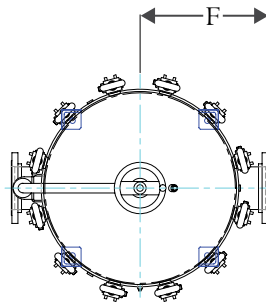
MODEL	# OF ELEMENTS	CARTRIDGE LENGTH	CONNECTION SIZE	DIMENSIONS														WEIGHT			
				A	B	C	D	E	F	G	H	I	J	K	L	M	LBS	KG			
C4242	155	20"	6	IN	42.0	6.0	60.8	87.7	16.5	28.0	27.6	29.5	30.5	52.2	79.2	15.0	6.0	LBS	1,960		
				MM	1,067	152	1,543	2,227	419	711	702	749	775	1,326	2,011	381	152	KG	889		
			8	IN	42.0	8.0	65.0	91.9	20.8	28.0	27.6	29.5	30.5	54.2	81.1	15.0	6.0	LBS	2,070		
				MM	1,067	203	1,651	2,335	528	711	701	749	775	1,376	2,061	381	152	KG	939		
			10	IN	42.0	10.0	69.0	95.9	25.0	28.0	27.6	29.5	30.5	56.3	83.3	15.0	6.0	LBS	2,200		
				MM	1,067	254	1,753	2,437	635	711	701	749	775	1,430	2,115	381	152	KG	998		
		30"	6	IN	42.0	6.0	70.8	97.7	16.5	28.0	27.6	29.5	30.5	62.2	89.2	15.0	6.0	LBS	1,960		
				MM	1,067	152	1,797	2,481	419	711	702	749	775	1,580	2,265	381	152	KG	889		
			8	IN	42.0	8.0	75.0	101.9	20.8	28.0	27.6	29.5	30.5	64.2	91.1	15.0	6.0	LBS	2,070		
				MM	1,067	203	1,905	2,589	528	711	701	749	775	1,630	2,315	381	152	KG	939		
			10	IN	42.0	10.0	79.0	105.9	25.0	28.0	27.6	29.5	30.5	66.3	93.3	15.0	6.0	LBS	2,200		
				MM	1,067	254	2,007	2,691	635	711	701	749	775	1,684	2,369	381	152	KG	998		
		40"	6	IN	42.0	6.0	80.8	107.7	16.5	28.0	27.6	29.5	30.5	72.2	99.2	15.0	6.0	LBS	1,960		
				MM	1,067	152	2,051	2,735	419	711	702	749	775	1,834	2,519	381	152	KG	889		
			8	IN	42.0	8.0	85.0	111.9	20.8	28.0	27.6	29.5	30.5	74.2	101.1	15.0	6.0	LBS	2,070		
				MM	1,067	203	2,159	2,843	528	711	701	749	775	1,884	2,569	381	152	KG	939		
			10	IN	42.0	10.0	89.0	115.9	25.0	28.0	27.6	29.5	30.5	76.3	103.3	15.0	6.0	LBS	2,200		
				MM	1,067	254	2,261	2,945	635	711	701	749	775	1,938	2,623	381	152	KG	998		
		C4848	205	20"	8	IN	48.0	8.0	66.6	95.1	20.8	31.0	30.6	33.2	30.5	55.8	84.2	17.0	6.0	LBS	2,200
						MM	1,219	203	1,692	2,415	528	787	776	843	775	1,416	2,138	432	152	KG	998
					10	IN	48.0	10.0	70.6	99.1	25.0	31.0	30.6	33.2	30.5	57.9	86.3	17.0	6.0	LBS	2,350
						MM	1,219	254	1,794	2,516	635	787	776	843	775	1,470	2,192	432	152	KG	1,066
					12	IN	48.0	12.0	75.0	103.4	29.5	31.0	30.6	33.2	30.5	59.9	88.3	17.0	6.0	LBS	2,530
						MM	1,219	305	1,905	2,627	749	787	776	843	775	1,521	2,243	432	152	KG	1,147
30"	8			IN	48.0	8.0	76.6	105.1	20.8	31.0	30.6	33.2	30.5	65.8	94.2	17.0	6.0	LBS	2,200		
				MM	1,219	203	1,946	2,669	528	787	776	843	775	1,670	2,392	432	152	KG	998		
	10			IN	48.0	10.0	80.6	109.1	25.0	31.0	30.6	33.2	30.5	67.9	96.3	17.0	6.0	LBS	2,350		
				MM	1,219	254	2,048	2,770	635	787	776	843	775	1,724	2,446	432	152	KG	1,066		
	12			IN	48.0	12.0	85.0	113.4	29.5	31.0	30.6	33.2	30.5	69.9	98.3	17.0	6.0	LBS	2,530		
				MM	1,219	305	2,159	2,881	749	787	776	843	775	1,775	2,497	432	152	KG	1,147		
40"	8			IN	48.0	8.0	86.6	115.1	20.8	31.0	30.6	33.2	30.5	75.8	104.2	17.0	6.0	LBS	2,200		
				MM	1,219	203	2,200	2,923	528	787	776	843	775	1,924	2,646	432	152	KG	998		
	10			IN	48.0	10.0	90.6	119.1	25.0	31.0	30.6	33.2	30.5	77.9	106.3	17.0	6.0	LBS	2,350		
				MM	1,219	254	2,302	3,024	635	787	776	843	775	1,978	2,700	432	152	KG	1,066		
	12			IN	48.0	12.0	95.0	123.4	29.5	31.0	30.6	33.2	30.5	79.9	108.3	17.0	6.0	LBS	2,530		
				MM	1,219	305	2,413	3,135	749	787	776	843	775	2,029	2,751	432	152	KG	1,147		

All dimensions are approximate.

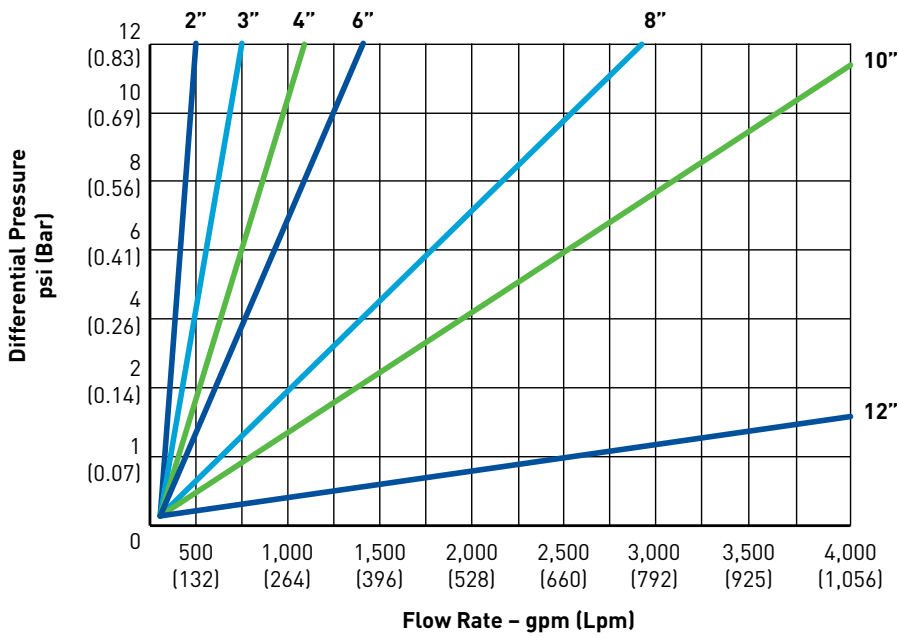
STYLE A - BOTTOM OUTLET



STYLE B - SIDE OUTLET



PRESSURE DROP VS FLOW RATE

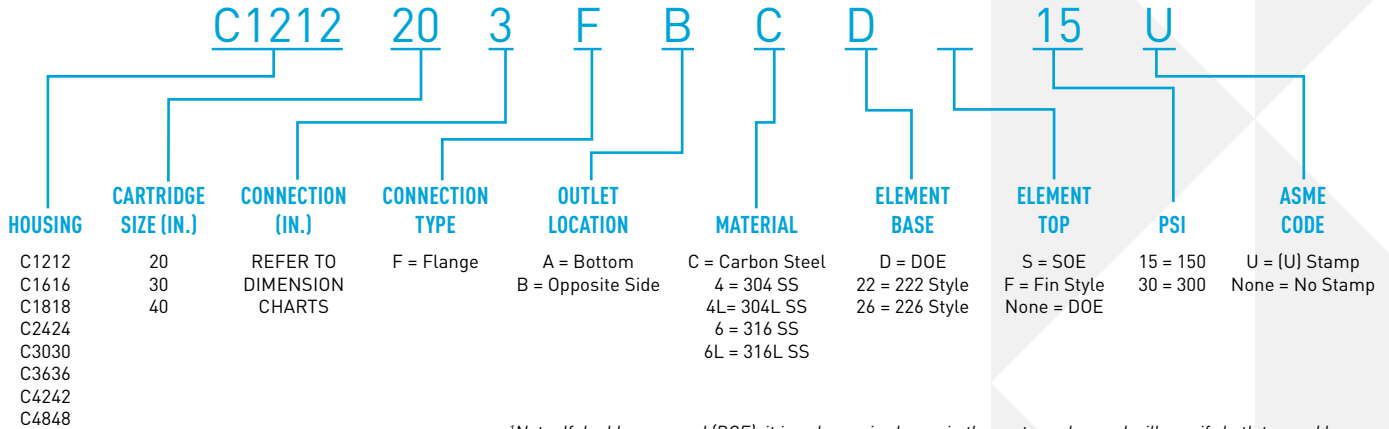


ORDERING INFORMATION

To create your ordering part number, use the part number configurator below.
 Custom configurations available. Please contact customer service.

HOUSING EXAMPLE: C1212203FBCD15U

C1212 Housing (C1212), 20" cartridge (20), 3" (3)
 Flange connection (F), Outlet connection located on opposite sides (B), Carbon steel (C)
 Double open ended element (D), 150 psi (15), ASME Code (U) Stamp (U)



**Note: If double open end (DOE), it is only required once in the part number and will specify both top and base.
 Cartridges are not included but must be specified as to the type using when ordering the housing.
 Carbon steel not recommended for water use as the epoxy coating is not designed as a corrosion inhibitor.*



FILTRATION & PROCESS

LENNTECH

info@lennotech.com Tel. +31-152-610-900
 www.lennotech.com Fax. +31-152-616-289