

INDUSTRIAL C88

6-ROUND LIQUID CARTRIDGE HOUSINGS



C88 6-Round Liquid Cartridge Housings give the versatility of choosing cartridges for the needed flow rates, chemical compatibility and particle retention.

FEATURES/BENEFITS

Accommodates 6 elements in 20", 30" or 40" (254, 508, 762, 1016 mm) lengths
 Flow rates to 120 gpm (454.2 Lpm)
 150 PSI (10.3 bar) and 300 PSI (20.7 bar) pressure ratings
 Carbon or Stainless Steel construction
 Zinc-plated quick-swing closure with eye nuts
 300 PSI (20.7 bar) housing has a slip and blind flange lid

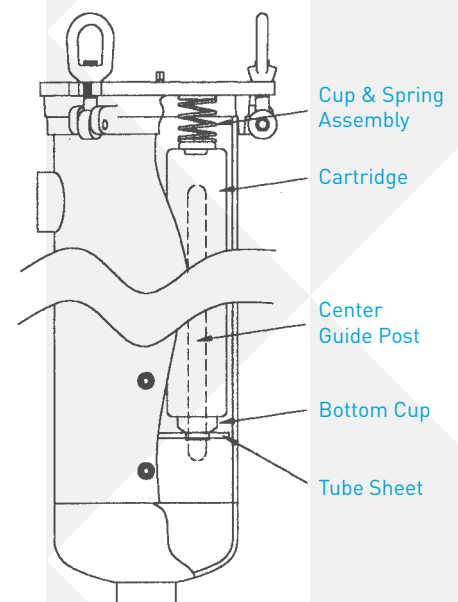
Buna-N lid seal
 316 Stainless Steel cup and spring assemblies
 Differential, drain, and vent ports
 Adjustable support legs
 Two-part epoxy paint inside and outside on carbon steel housings
 316 Stainless Steel center guide post
 Made to accept double open end cartridges (DOE) or 222 style with closed top cap*

APPLICATIONS

Commercial
 General Industrial

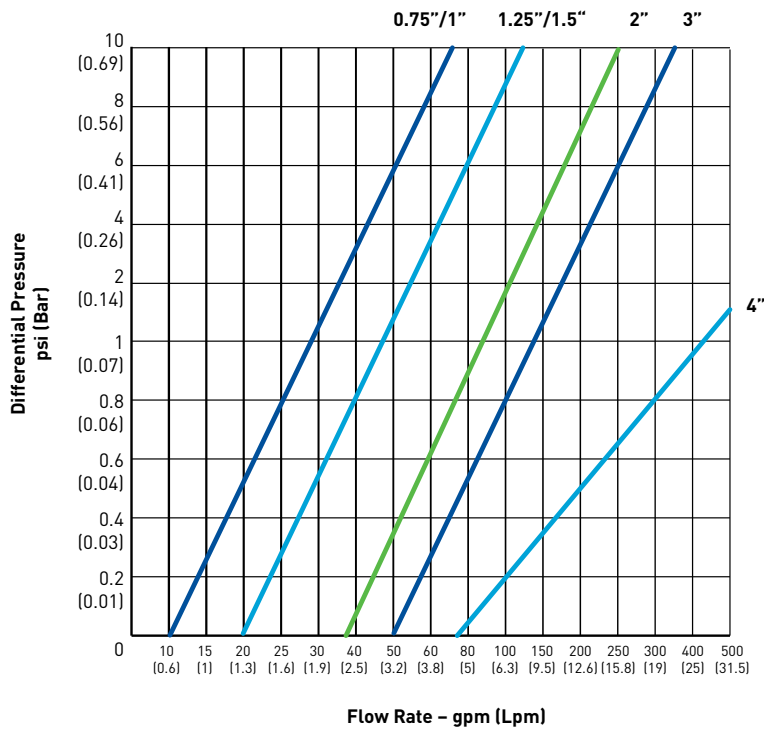
OPTIONS

Duplexing for continual flow during maintenance
 Higher pressure rating
 226 style cartridge compatibility
 Fin style top
 ASME Code U or UM



* Note: Type of element top which will be used must be noted at the time of the housing order.

PRESSURE DROP VS FLOW RATE



DIMENSIONS

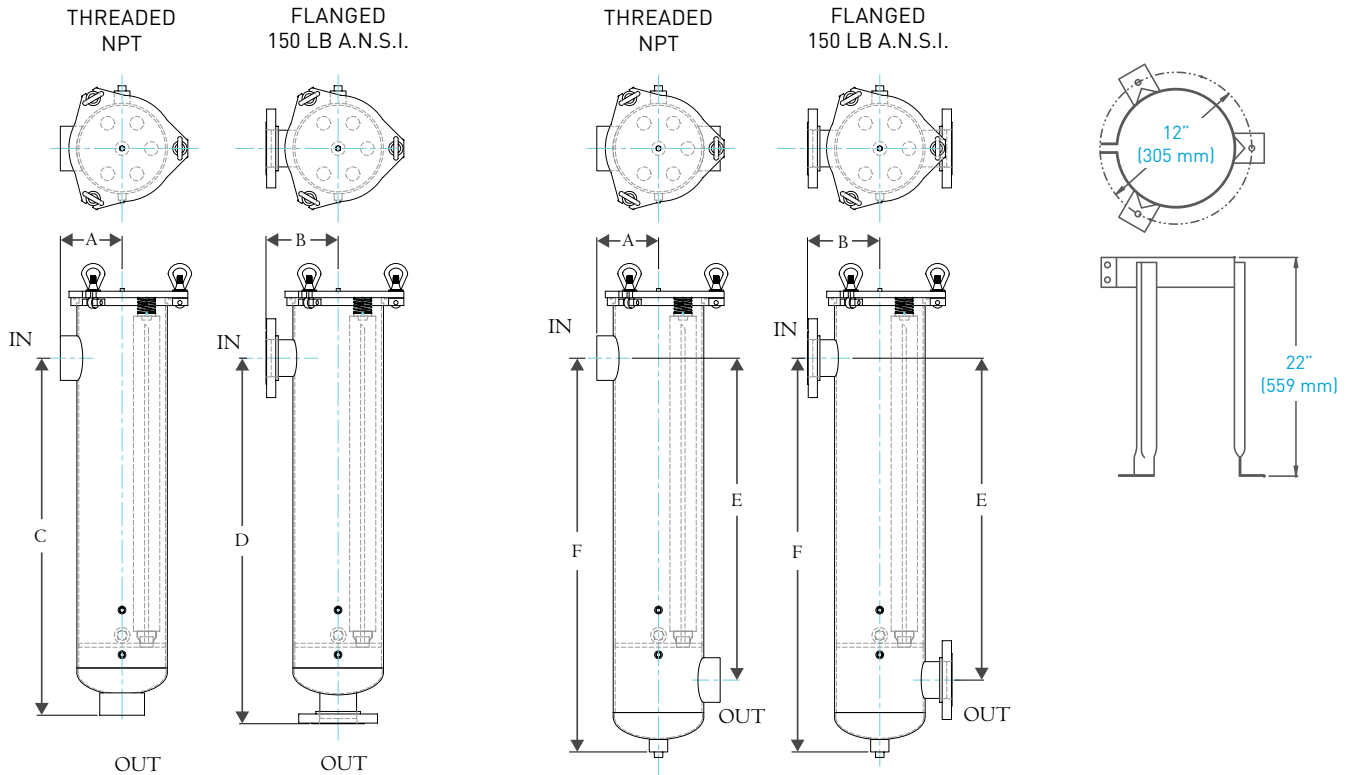
HOUSING	CARTRIDGE QUANTITY	CARTRIDGE LENGTH	CONNECTION SIZE (IN.)	METRIC	DIMENSIONS					
					A	B	C	D	E	F
C88	6	20"	2	IN	5.8	6.8	23.7	24.6	20.0	26.3
				MM	146	171	602	624	508	667
			3	IN	5.9	6.9	24.0	24.8	20.6	27.5
				MM	149	175	610	630	524	699
			4	IN	5.7	6.9	24.1	24.9	21.3	28.8
				MM	145	175	613	633	540	730
		30"	2	IN	5.8	6.8	33.7	34.6	30.0	36.3
				MM	146	171	856	878	762	921
			3	IN	5.9	6.9	34.0	34.8	30.6	37.5
				MM	149	175	864	884	778	953
			4	IN	5.7	6.9	34.1	34.9	31.3	38.8
				MM	145	175	867	887	794	984
40"	2	IN	5.8	6.8	43.7	44.6	41.3	48.8		
		MM	146	171	1,110	1,132	1,048	1,238		
	3	IN	5.9	6.9	44.0	44.8	51.3	58.8		
		MM	149	175	1,118	1,138	1,302	1,492		
	4	IN	5.7	6.9	44.1	44.9	61.3	68.8		
		MM	145	175	1,121	1,141	1,556	1,746		

All dimensions are approximate.

STYLE A - BOTTOM OUTLET

STYLE B - SIDE OUTLET

ADJUSTABLE LEGS

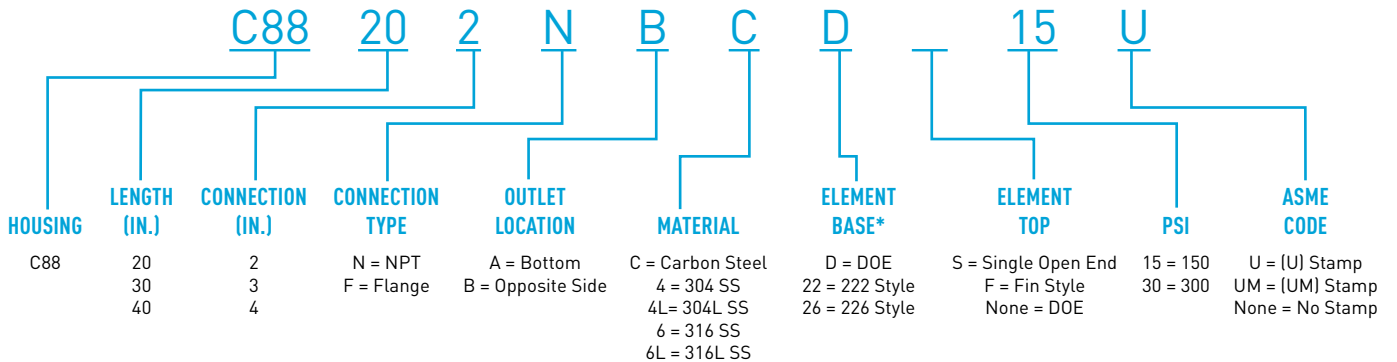


ORDERING INFORMATION

To create your ordering part number, use the part number configurator below.
 Custom configurations available. Please contact customer service.

HOUSING EXAMPLE: C88202NBCD15U

C88 housing (C88), 20" length (20), 2" (2), NPT connection (N)
 Outlet location on opposite side (B), Carbon steel (C), Double open ended element (D)
 150 psi (15), ASME Code (U) Stamp (U)



Note: If DOE, it is only required once in the part number and will specify both top and base. Cartridges are not included but must be specified as to the type using when ordering the housing. Carbon steel not recommended for water use as the epoxy coating is not designed as a corrosion inhibitor.



FILTRATION & PROCESS

LENNTECH

info@lennotech.com Tel. +31-152-610-900

www.lennotech.com Fax. +31-152-616-289

All Pentair trademarks and logos are owned by Pentair, Inc. or its affiliates. All other registered and unregistered trademarks and logos are the property of their respective owners. Because we are continuously improving our products and services, Pentair reserves the right to change specifications without prior notice. Pentair is an equal opportunity employer.

4003024 Rev D DE14 © 2014 Pentair Residential Filtration, LLC. All rights reserved.