

## INDUSTRIAL C66

### 3-ROUND LIQUID CARTRIDGE HOUSINGS



C66 3-Round Liquid Cartridge Housings give the versatility of choosing cartridges for the needed flow rates, chemical compatibility and particle retention. The C66 accommodates three elements in 20", 30" or 40" (508, 762, 1,016 mm) lengths.

#### FEATURES/BENEFITS

Flow rates to 60 gpm (227.1 Lpm)  
 150 (10.3 bar) and 300 PSI (20.7 bar)  
 pressure rating  
 Carbon or Stainless Steel construction  
 Zinc-plated quick-swing closure  
 with eye nuts  
 300 PSI (20.7 bar) housing has a slip  
 and blind flange lid  
 Buna-N lid seal  
 316 Stainless Steel cup and spring  
 assemblies

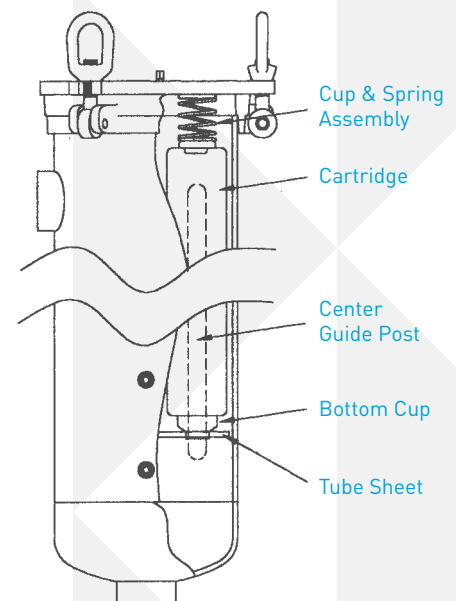
Differential, drain, and vent ports  
 Adjustable support legs  
 Two-part epoxy paint inside and outside  
 on carbon steel housings  
 316 Stainless Steel center guide post  
 Made to accept double open end  
 cartridges (DOE) or 222 style with closed  
 top cap\*

#### APPLICATIONS

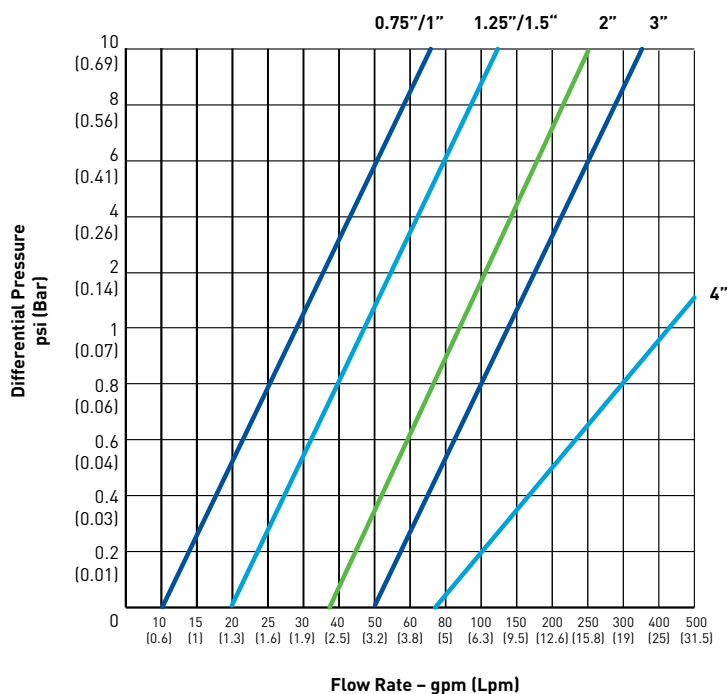
Commercial  
 General Industrial

#### OPTIONS

Duplexing for continual flow during maintenance  
 Higher pressure rating  
 226 style cartridge compatibility  
 Fin style top  
 ASME Code U or UM



## PRESSURE DROP VS FLOW RATE



## DIMENSIONS

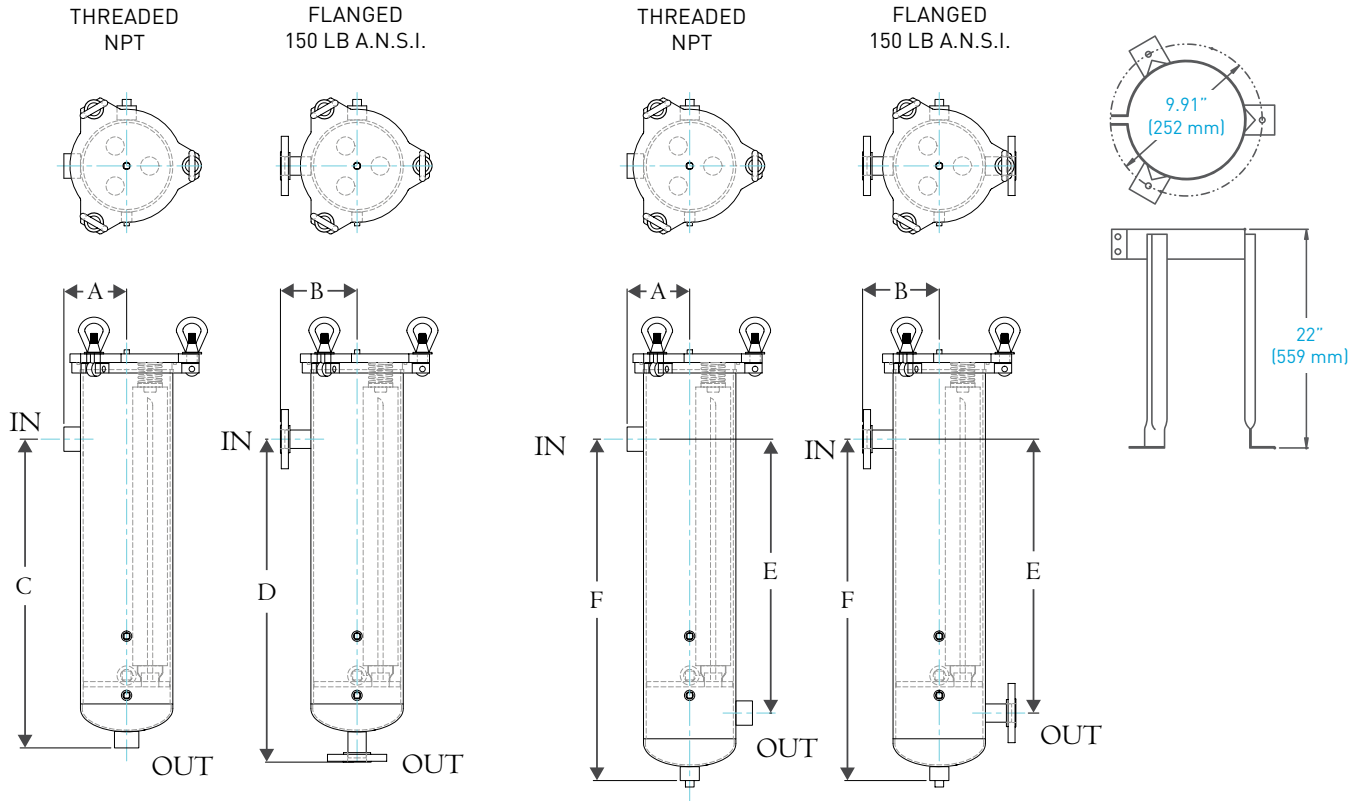
HOUSING	CARTRIDGE QUANTITY	CARTRIDGE LENGTH	CONNECTION SIZE (IN.)	METRIC	DIMENSIONS					
					A	B	C	D	E	F
C66	3	20"	1	IN	4.5	5.5	22.1	23.2	19.6	24.5
				MM	114	140	562	589	499	622
			1.25	IN	4.6	5.6	22.3	23.4	19.9	25.0
				MM	118	143	565	594	505	635
			1.5	IN	4.7	5.7	22.5	23.4	20.0	25.3
				MM	119	145	572	595	508	641
		2	IN	4.7	5.7	22.6	23.4	20.3	25.8	
			MM	119	145	573	595	514	654	
		3	IN	4.8	5.8	22.9	23.8	20.9	27.0	
			MM	122	148	581	603	530	686	
		30"	1	IN	4.5	15.5	32.1	33.2	29.6	34.5
				MM	114	394	816	843	753	876
			1.25	IN	4.6	15.6	32.3	33.4	29.9	35.0
				MM	118	397	819	848	759	889
			1.5	IN	4.7	15.7	32.5	33.4	30.0	35.3
				MM	119	399	826	849	762	895
		2	IN	4.7	15.7	32.6	33.4	30.3	35.8	
			MM	119	399	827	849	768	908	
		3	IN	4.8	15.8	32.9	33.8	30.9	37.0	
			MM	122	402	835	857	784	940	
		40"	1	IN	4.5	25.5	42.1	43.2	39.6	44.5
				MM	114	648	1,070	1,097	1,007	1,130
			1.25	IN	4.6	25.6	42.3	43.4	39.9	45.0
				MM	118	651	1,073	1,102	1,013	1,143
1.5	IN		4.7	25.7	42.5	43.4	40.0	45.3		
	MM		119	653	1,080	1,103	1,016	1,149		
2	IN		4.7	25.7	42.6	43.4	40.3	45.8		
	MM		119	653	1,081	1,103	1,022	1,162		
3	IN		4.8	25.8	42.9	43.8	40.9	47.0		
	MM		122	656	1,089	1,111	1,038	1,194		

All dimensions are approximate.

**STYLE A - BOTTOM OUTLET**

**STYLE B - SIDE OUTLET**

**ADJUSTABLE LEGS**

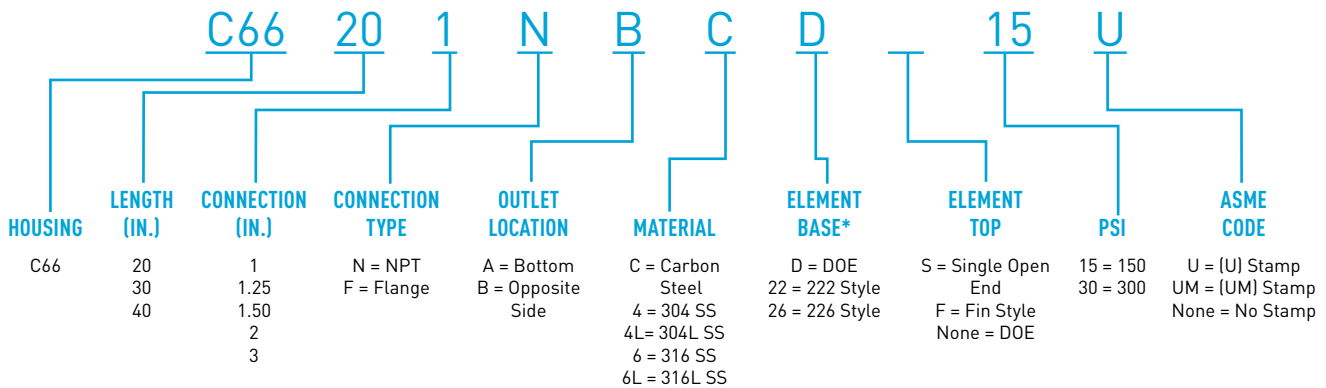


**ORDERING INFORMATION**

To create your ordering part number, use the part number configurator below. Custom configurations available. Please contact customer service.

**HOUSING EXAMPLE: C66201NBCD15U**

C66 housing (C66), 20" length (20), 1" (1), NPT connection (N)  
 Outlet location on opposite side (B), Carbon steel (C), Double open ended element (D)  
 150 psi (15), ASME Code (U) Stamp (U)



Note: If DOE, it is only required once in the part number and will specify both top and base. Cartridges are not included but must be specified as to the type using when ordering the housing. Carbon steel not recommended for water use as the epoxy coating is not designed as a corrosion inhibitor.



FILTRATION & PROCESS

*LENNTECH*

info@lennotech.com Tel. +31-152-610-900

www.lennotech.com Fax. +31-152-616-289

All Pentair trademarks and logos are owned by Pentair, Inc. or its affiliates. All other registered and unregistered trademarks and logos are the property of their respective owners. Because we are continuously improving our products and services, Pentair reserves the right to change specifications without prior notice. Pentair is an equal opportunity employer.

4003023 Rev D DE14 © 2014 Pentair Residential Filtration, LLC. All rights reserved.