



Fulflo® TruBind™ 300 Cartridges

Effective and Economical Hydrocarbon Removal with Enhanced Polymeric Absorbent Cartridges

Parker Fulflo® TruBind™ absorbent cartridges utilize a modified polymeric absorbent that economically and effectively reduces trace hydrocarbon contamination in aqueous fluids. The enhanced polymer, configured in a radial-flow-design cartridge, provides maximum utilization of available surface area. This product can be used alone or as an enhancement to other systems. Whether process fluid reclamation or meeting disposal requirements is the goal, TruBind can solve many demanding hydrocarbon-contaminated aqueous fluid problems.

Benefits

- Increases machine tool life when installed at point-of-use
- Increases working life of valuable process fluids
- Reduces hydrocarbon levels to meet EPA discharge regulations
- Absorbed hydrocarbon is chemically bound by polymer and is not leachable
- Absorbent polymer is enhanced to maximize utilization of surface area
- Radial flow design of cartridge allows maximum flow with minimal pressure drop
- High integrity construction withstands harsh process environment
- A variety of cartridge sizes and end cap options increase housing selection
- TruBind cartridges are completely incinerable
- Parker's TQM system assures consistent and reliable performance



Applications

- Water Soluble Machine
- Alkaline Parts Washing
- Industrial Discharge Water
- Produced Water Disposal
- E-Coat Paint
- Post Oil/Water Separator
- Compressor Condensate
- Car & Truck Wash Water
- Plating Bath
- Gas & Oil Facility Wastewater
- Surface Water Runoff (Truck stops, airports, auto service stations)
- Bilge Water
- Pre Carbon Bed
- Aerosol Mists Cooling Water
- Tanker Ballast Water
- Pre R.O. Membrane Polishing



Fulflo® TruBind™ 300 Cartridges

Specifications

Materials of Construction:

Absorbent: Proprietary modified polymer
 Support Construction: 100% polyolefin
 Seal Material: Gasket (Polyethylene Foam); 222 O-Ring (Buna-N)

Maximum Recommended Operating Conditions:

Temperature:
 150°F (65°C) @ 20 psid (1.4 bar);
 180°F (82°C) @ 10 psid (0.7 bar)
 Pressure:
 40 psid (2.8 bar) @ 75°F (24°C)
 Flow Rate:
 1.0 gpm per 10-inch cartridge
 Changeout Pressure Drop (net):
 10 psi (0.7 bar)
 Flow Factor:
 0.03 psid per 1 gpm at 1 cks viscosity per 10 in cartridge
 pH Range: 2 - 12

Lengths: 10-40 in (249mm-1016mm)
 Outside Diameter: 2-1/2 in (63.5 mm)
 Inside Diameter: 1-1/16 in (27 mm)

BioSafety:

The TruBind cartridge is classified as non-hazardous and incinerable. Disposal must be dictated by local regulations pertaining to the absorbed contaminant.

Recommended Vessels:

All standard Fulflo vessels designed for 2-1/2 in OD cartridges.

Technology

Unlike competitive technologies in which hydrocarbons are removed through surface adsorption onto the medium, TruBind cartridges utilize a proprietary modified polymer that both absorbs and chemically binds the hydrocarbon molecules into its interior matrices. The affinity of the polymeric absorbent for hydrocarbon contaminant is so great that accelerated testing by the Toxic Characteristics Leachate Procedure (TCLP) indicated the effluent hydrocarbon level in water to be below current and proposed EPA limits. The modified polymer was formulated to control the speed of hydrocarbon absorption by eliminating the potential for skin formation at the polymer/hydrocarbon interface. Consequently this polymer, when incorporated into a radial-flow-design cartridge, insures maximum utilization of surface area. The nature of the polymer makes it an effective absorbent for free, emulsified and dissolved oils, synthetic lubricants, grease and a multitude of organic solvents.

Performance

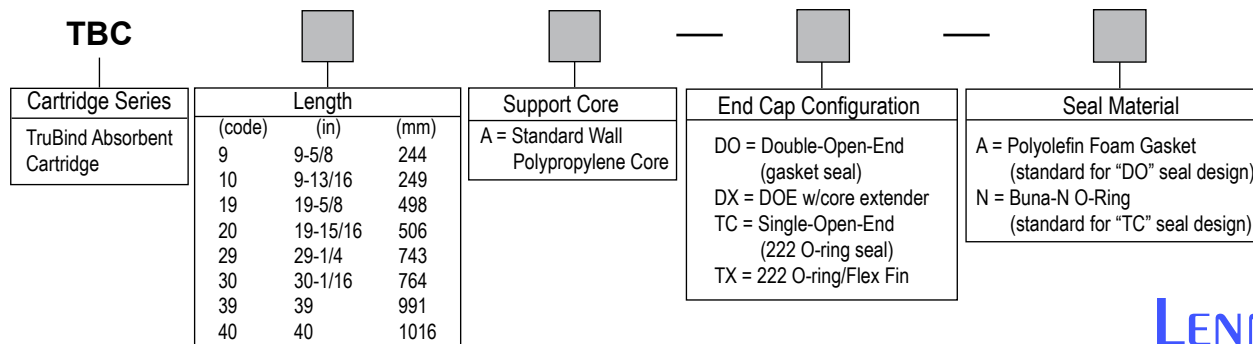
TruBind absorbent cartridge efficiency depends upon the residence time of the fluid within the cartridge, which is a function of the volumetric flow rate.

- Hydrocarbon Removal Efficiency:** At an equivalent flow rate of 1.0 gpm per 10-inch cartridge the TruBind cartridge typically reduces trace hydrocarbon contaminant in excess of 95% in single pass mode. This efficiency level can be maintained only to a net differential pressure of 10 psi. Series or multipass filtration can virtually eliminate hydrocarbon contamination.
- Hydrocarbon Absorbent Capacity:** The TruBind cartridge medium has the potential to remove up to 250 grams (approximately one-half pint) of low density hydrocarbon contaminant. On this basis, the table below provides expected life data in hours or gallons at several trace contaminant levels based on a 1.0 gpm flow rate per 10-inch cartridge. Absorbent capacity will decrease as density of hydrocarbon increases.
- Flow Rate Capability:** A maximum flow rate of 1.0 gpm per 10-inch length cartridge is recommended for the most effective removal of trace hydrocarbon contaminant.

Hydrocarbon (ppm)	Concentration (% by weight)	Hydrocarbon Removal per Minute (grams)	Estimated Life in Hours	Gallons Fluid Treated	Estimated Cost per Gallon of Treated Fluid
10	.001	0.04	106.0	6,330	\$.003
100	.01	0.40	10.6	633	\$.03
1,000	.1	4.00	1.1	63	\$.30

Note: Cost per gallon decreases significantly with longer cartridges.

Ordering Information



LENNTECH

info@lenntech.com

www.lenntech.com

Tel. +31-15-261.09.00

Fax. +31-15-261.62.89

ENGINEERING **YOUR** SUCCESS.