

## NOCCHI WATERPRESS SUPERINOX PRESSURE UNITS WITH 24-LITER HORIZONTAL EXPANSION TANK

The WATERPRESS SUPERINOX pressure boosters are designed with self-priming centrifugal pump models JETINOX or MAX. They are supplied pre-wired and complete with stainless steel expansion tank.

### APPLICATIONS

- Lifting and distribution of water in domestic systems.
- Pressure booster systems.
- Washing and irrigation.

### DESIGN SPECIFICATIONS

- Pressure switch (max 6 bar) set to: min 2 - max 3 bar.
- Pressure gauge (6 bar).
- 5-way connector in chrome-plated molded brass.
- 24-liter expansion tank in stainless steel with interchangeable foodgrade rubber diaphragm.
- Hydraulic connection tuboflex hose.
- 1.5 m H05 RN-F power cable with plug.

### APPLICATION DATA

- Type of liquid: clean water without suspended solid bodies or abrasive material.
- Maximum liquid temperature: 50°C.
- Maximum recommended suction height with foot valve: 8 m WP Superinox 60/50 ; 7 m WP Superinox 120/60
- Maximum operating pressure: 6 bar WP Superinox 60/50 ; 7 bar WP Superinox 120/60

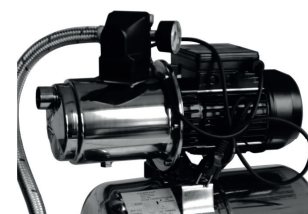
### MOTOR

- Closed, ventilated from exterior.
- Protection rating IP 44.
- Insulation class F.
- Single phase power supply with permanently activated capacitor.
- Thermal cutout protection incorporated in motor winding.
- Rotation speed 2850 rpm.
- Continuous duty.



### TABLE OF MATERIALS

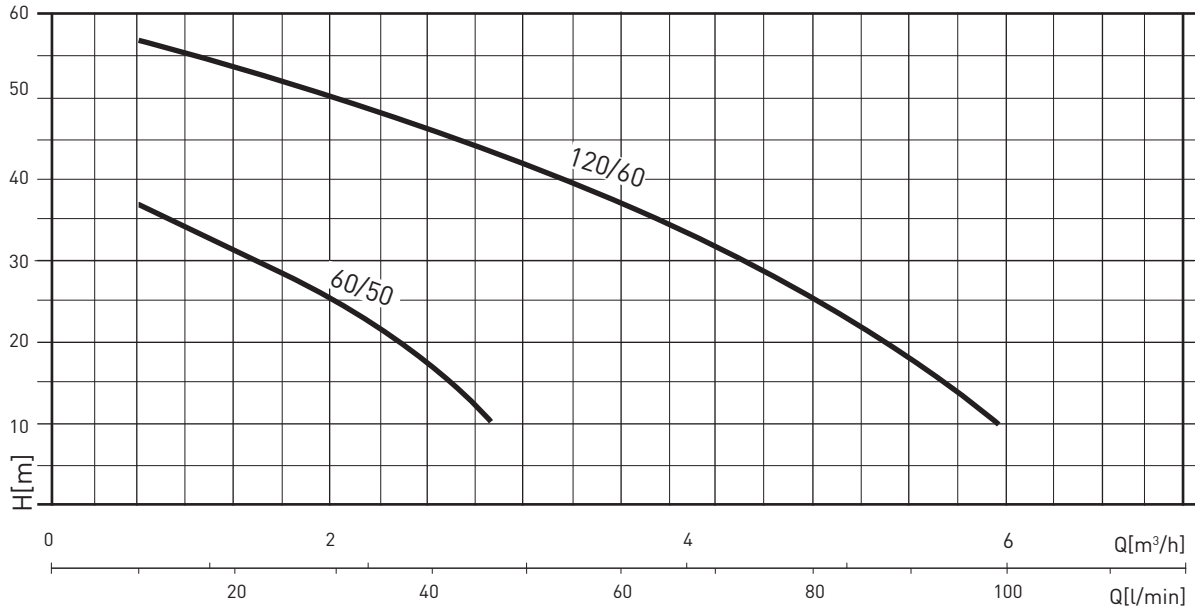
Component	Material	
	WP SUPERINOX 60/50	WP SUPERINOX 120/60
Pump body	Stainless steel X5 CrNi 1810 (AISI 304)	Stainless steel X5 CrNi 1810 (AISI 304)
Motor bracket	Die cast aluminum	Die cast aluminum
Impellers	Technopolymer with shim ring in stainless steel	Technopolymer with shim ring in stainless steel
Diffuser-Venturi pipe nozzle	Technopolymer	-
Shaft	Stainless steel X 12 CrNiS 1809 (AISI 416)	hydraulic section Stainless steel X5 CrNi 1810 (AISI 304)
Mechanical gasket	Graphite	Graphite
Counterface	Ceramic	Ceramic
Gasket backing plate	Technopolymer	Technopolymer
Seals	NBR 70 shore	NBR 70 shore



# NOCCHI WATERPRESS SUPERINOX

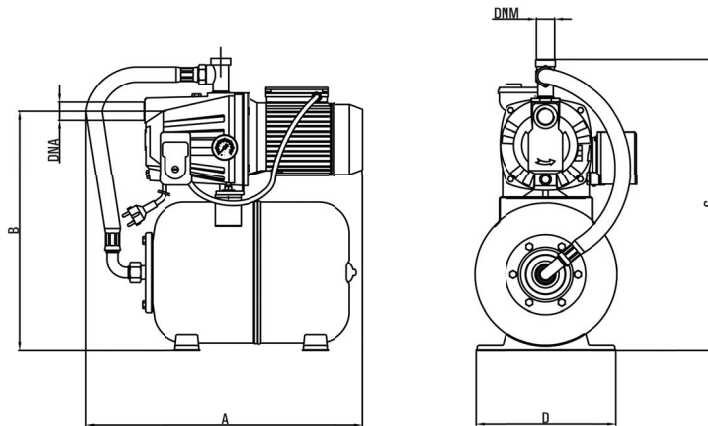
## PRESSURE UNITS WITH 24-LITER HORIZONTAL EXPANSION TANK

### HYDRAULIC PERFORMANCE



### PERFORMANCE TABLE

MODEL	Motor output (P2)		Motor output (P1)		VOLT	In (A)	μF	Q	L/min				
	HP	kW	HP	kW					0	20	40	60	80
								m.c.a. / m.w.c.	0	1.2	2.4	3.6	4.8
WP SUPERINOX 60/50 C	0.75	0.55	1.1	0.80	1 - 220 - 240 V	4	12.5		46	31	28	6	1
WP SUPERINOX 120/60 C	1.2	0.9	1.7	1.25	1 - 220 - 240 V	5.8	20		60	55	48	36	26



### OVERALL DIMENSIONS AND WEIGHTS

MODEL	Dimensions (mm)						Weight (kg)
	A	B	C	D	DNA	DNM	
WP SUPERINOX 60/50 C	530	425	550	280	1" F	1" F	11.2
WP SUPERINOX 120/60 C	530	425	550	280	1" F	1" F	14.2