

NOCCHI WATERPRESS INOX 50 L PRESSURE UNITS WITH 50-LITER HORIZONTAL EXPANSION TANK

WATERPRESS INOX 50L pressure boosters are designed with electric self-priming multi-cell centrifugal pump models MAX.

They are supplied pre-wired, complete with 50-liter expansion tank and ready for installation and use.

APPLICATIONS

- Lifting and distribution of water in domestic systems.
- Pressure booster systems, washing and irrigation.

DESIGN SPECIFICATIONS

- WP INOX 80/48 - 50 L: electro-mechanical pressure switch (max 6 bar) set to min 2 - max 3 bar.
- WP INOX 120/60 - 50 L: electronic control and safety pressure switch AQUA TROL.
- Pump start-up pressure settable from 1.5 to 3 bar
- Pressure gauge (6 bar).
- 5-way connector in chrome-plated molded brass.
- 50-liter expansion tank in painted steel with interchangeable foodgrade rubber diaphragm.
- Hydraulic connection tuboflex hose.
- 1.5 m H05 RN-F power cable with plug.

APPLICATION DATA

- Type of liquid: clean water without suspended solid bodies or abrasive material.
- Maximum liquid temperature: 50°C.
- Maximum recommended suction height: 7 m with foot valve.
- Maximum operating pressure: 7 bar.

MOTOR

- Closed, ventilated from exterior.
- Protection rating IP 44.
- Insulation class F.
- Single phase power supply with permanently activated capacitor.
- Thermal cutout protection incorporated in motor winding.
- Rotation speed 2850 rpm.
- Continuous duty.



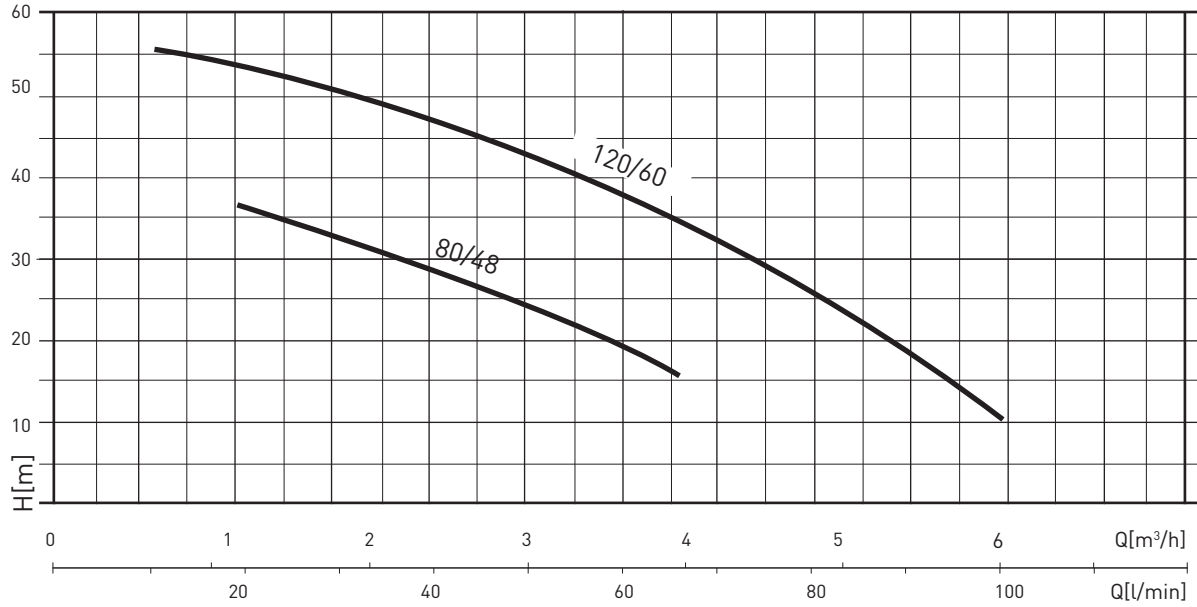
TABLE OF MATERIALS

Component	Material
Pump body	Stainless steel X5 CrNi 1810 (AISI304)
Motor bracket	Die cast aluminum
Impellers	Technopolymer with shim ring in stainless steel
Diffusers	Technopolymer
Shaft (hydraulic section)	Stainless steel X5 CrNi 1810 (AISI 304)
Mechanical gasket	Graphite
Gasket backing plate	Technopolymer
Seals	NBR 70 Shore
O-rings	NBR 70 Shore

NOCCHI WATERPRESS INOX 50 L

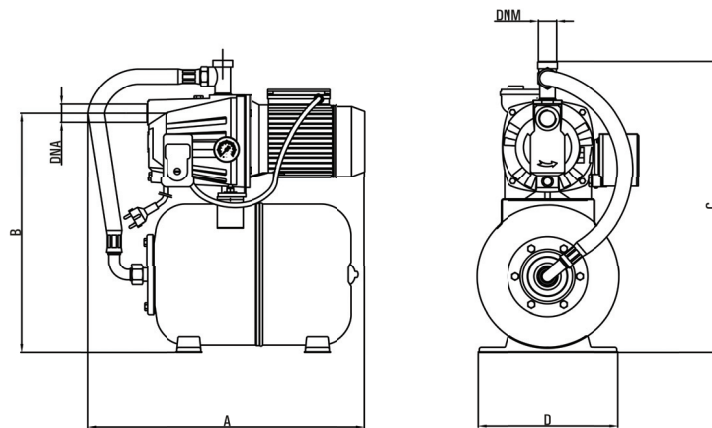
PRESSURE UNITS WITH 50-LITER HORIZONTAL EXPANSION TANK

HYDRAULIC PERFORMANCE



PERFORMANCE TABLE

MODEL	Motor output (P2)		Motor output (P1)		VOLT	In (A)	μF	Q	L/min				
	HP	kW	HP	kW					0	20	40	60	80
WP INOX 80/48 - 50 L	0.75	0.55	1.1	0.80	1 ~ 230 V	4	12.5	m.c.a./ m.w.c.	45	36	28	17	1
WP INOX 120/60 - 50 L	1.2	0.9	1.7	1.25	1 ~ 230 - 240 V	5.8	20		60	55	48	36	26



OVERALL DIMENSIONS AND WEIGHTS

MODEL	Dimensions (mm)						Weight (kg)
	A	B	C	D	DNA	DNM	
WATERPRESS 80/48	640	520	640	370	1" F	1" F	18
WATERPRESS 120/60	640	520	640	370	1" F	1" F	21