

## NOCCHI VACUSYSTEM

### COLLECTION STATIONS AND WASTE WATER LIFTING

VACUSYSTEM 200 is an automatic pumping station, pre-assembled and ready to use. The ideal solution when waste water is collected at a lower level than the main sewage manifold. Assembled with PRIOX series electric submersible pumps.

#### MOTOR

- Dry motor.
- Protection rating IP 68.
- Insulation class F.
- Single phase power supply with permanently activated capacitor and thermal cutout protection incorporated in the motor winding.
- Fully insulated cable connection chamber.
- Self-lubricating ball bearings.
- Rotation speed 2850 rpm.

#### APPLICATION DATA

- Type of liquid: waste water with suspended solid bodies of maximum size 40 mm.
- Maximum liquid temperature: 40°C.
- Minimum drainage level: 60 mm.
- Walkover cover.

#### DESIGN SPECIFICATIONS

- The standard pumping station comprises:
- Tank: polyethylene with capacity of 175 L, with cover complete with seal to ensure watertight protection from liquid and the risk of gas formation.
- Inlet manifolds DN 110, outlet in PVC 2" and bleed tube connector DN 50.
- Submersible pump PRIOX 300/9 M AUT, PRIOX 460/13 M AUT.



#### TABLE OF MATERIALS

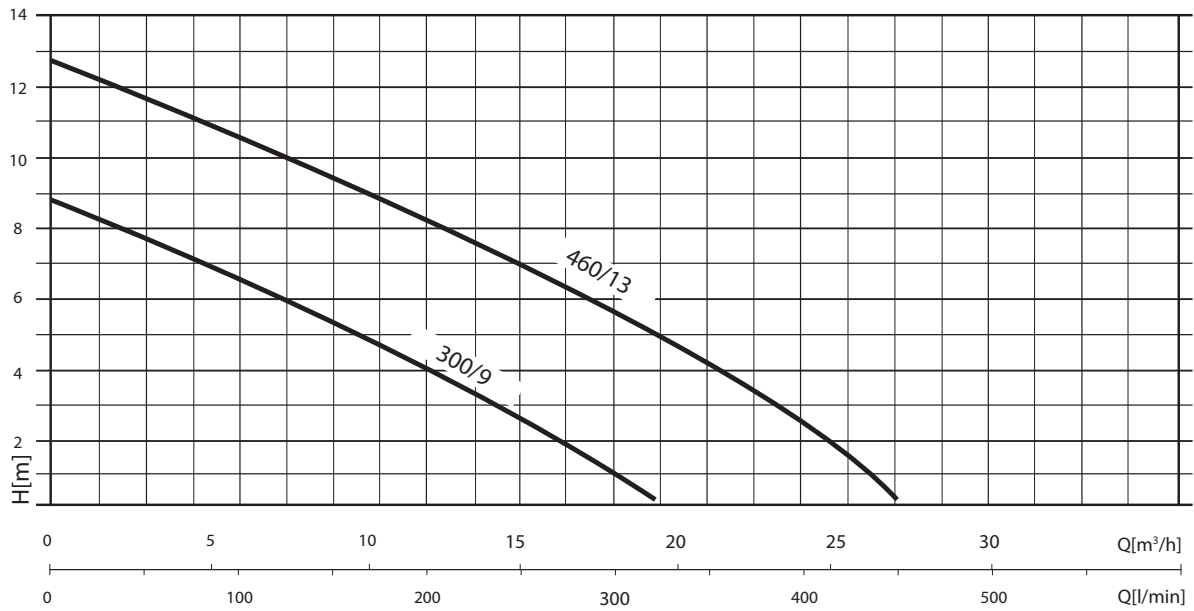
Component		Material
1	Pump body	Stainless steel X5 CrNi 1810 (AISI 304)
2	suction base	Stainless steel X5 CrNi 1810 (AISI 304)
3	Impeller	Cast stainless steel X5 CrNi 1810 (AISI 304)
4	Power cable	10 m H07 RN-F
5	Motor shaft	Stainless steel X 12 CrNi 1809 (AISI 416)
6	Mechanical gasket	Graphite
7	Counterface	Ceramic
8	Secondary seal	Lip seal in rubber NBR
9	V-ring sand guard	Rubber NBR

Lubricated in oil chamber

# NOCCHI VACUSYSTEM

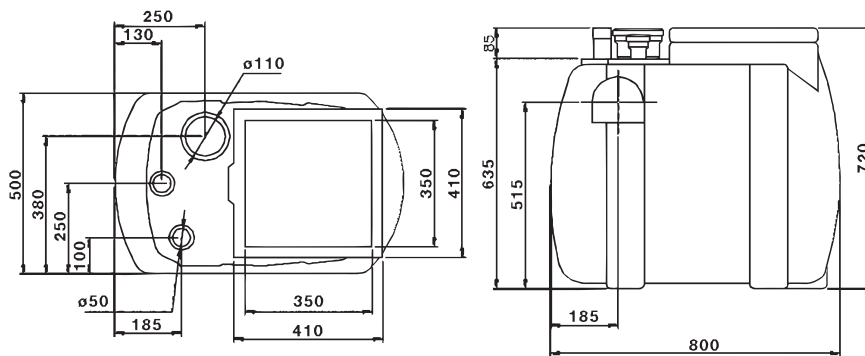
## COLLECTION STATIONS AND WASTE WATER LIFTING

### HYDRAULIC PERFORMANCE



### PERFORMANCE TABLE

MODEL	Power Motor (P2)		Power Motor (P1)		VOLT	In (A)	μF	Q	L/ min m3/h	50	100	150	200	150	300	400
	HP	kW	HP	kW						3	6	9	12	15	18	24
VS 200-P 300	0.8	0.6	1.2	0.9	1 - 230 V	4.1	12.5	m.c.a. / m.w.c.	7.7	6.4	5	3.8	2.3	1		
VS 200-P 460	1.4	1	2.2	1.6	1 - 230 V	7.2	20		11.8	10.8	9.8	8.5	7	5.5	2	



### OVERALL DIMENSIONS AND WEIGHTS

MODEL	Dimensions (mm)																	Weight (kg)
	A	B	C	D	E	F	G	H	I	L	M	N	O	P	Q	R	S	
VS 200 - P 300 M	500	380	250	100	185	250	130	410	350	800	410	350	635	515	720	185	85	27
VS 200 - P 460 M	500	380	250	100	185	250	130	410	350	800	410	350	635	515	720	185	85	29.2

## NOCCHI VACUSYSTEM COLLECTION STATIONS AND WASTE WATER LIFTING

### DESCENT DEVICE

VACUSYSTEM 200 S is an automatic pumping station, pre-assembled and ready to use. The ideal solution when waste water is collected at a lower level than the main sewage manifold. Assembled with PRIOX series electric submersible pumps.

#### MOTOR

- Dry motor.
- Protection rating IP 68.
- Insulation class F.
- Single phase power supply with permanently activated capacitor and thermal cutout protection incorporated in the motor winding.
- Fully insulated cable connection chamber.
- Self-lubricating ball bearings.
- Rotation speed 2850 rpm.

#### APPLICATION DATA

- Type of liquid: waste water with suspended solid bodies of maximum size 40 mm.
- Maximum liquid temperature: 40°C.
- Minimum drainage level: 60 mm.
- Walkover cover.

#### DESIGN SPECIFICATIONS

- Tank:
- polyethylene with capacity of 175 L, with cover complete with seal to ensure watertight protection from liquid and the risk of gas formation.
- Inlet manifolds DN 110, outlet 2" and bleed tube connector DN 50
- Descent device
- Electrical control and protection panel (for three phase electric pumps)
- Float with 10 m cable 2x1 H07 RN-F (for three phase electric pumps)
- Submersible pump: PRIOX 300/9 M AUT, PRIOX 460/13 M AUT, PRIOX 300/9 T, PRIOX 460/13 T



#### TABLE OF MATERIALS

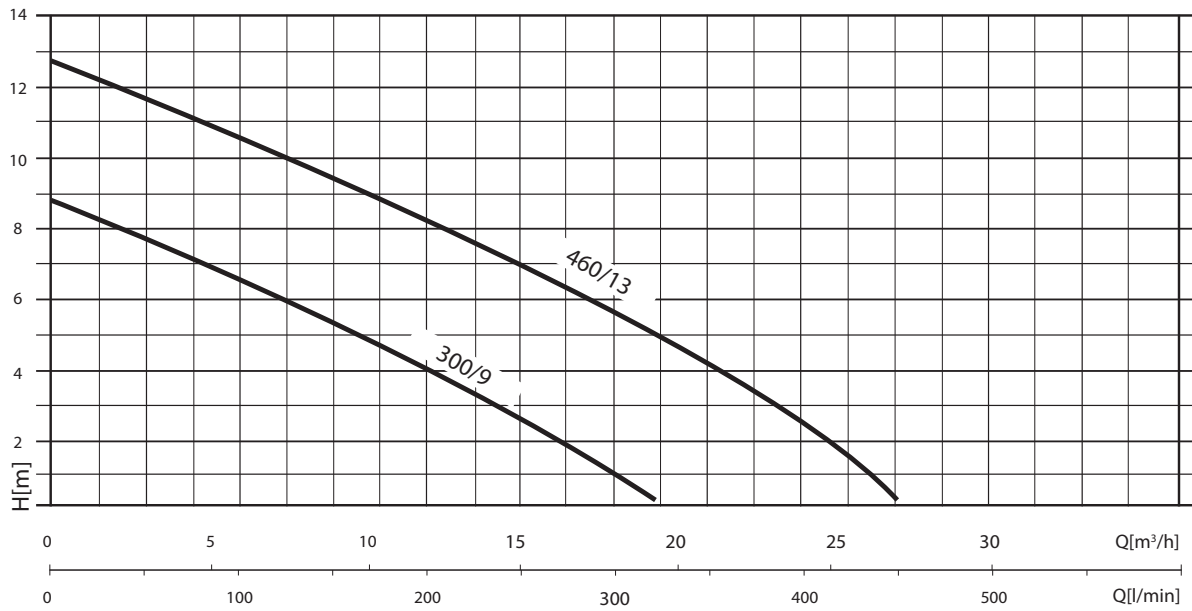
Component		Material
1	Pump body	Stainless steel X5 CrNi 1810 (AISI 304)
2	Suction base	Stainless steel X5 CrNi 1810 (AISI 304)
3	Impeller	Cast stainless steel X5 CrNi 1810 (AISI 304)
4	Power cable	10 m H07 RN-F
5	Motor shaft	Stainless steel X 12 CrNi 1809 (AISI 416)
6	Mechanical gasket	Silicon carbide
7	Counterface	Silicon carbide
8	Secondary seal	Lip seal in rubber NBR
9	V-ring sand guard	Rubber NBR

 Lubricated in  
oil chamber

# NOCCHI VACUSYSTEM

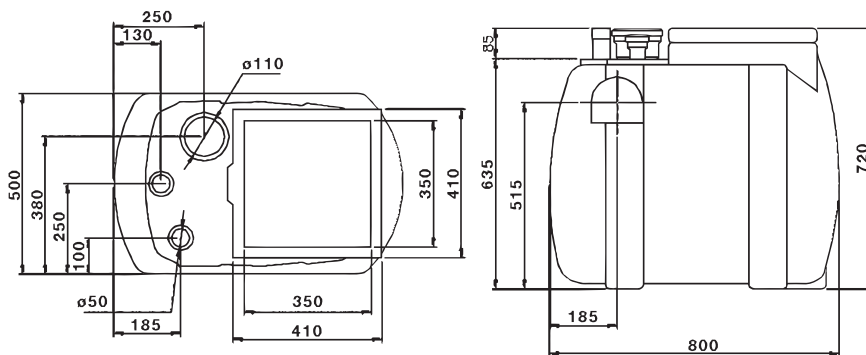
## COLLECTION STATIONS AND WASTE WATER LIFTING

### HYDRAULIC PERFORMANCE



### PERFORMANCE TABLE

MODEL	Power Motor (P2)		Power Motor (P1)		VOLT	I <sub>n</sub> (A)	μF	Q	L/ min m3/h	50	100	150	200	250	300	400
	HP	kW	HP	kW						3	6	9	12	15	18	24
VS 200 S-P 300 M	0.8	0.6	1.2	0.9	1 - 230 V	4.1	12.5	m.c.a. / m.w.c.	7.7	6.4	5	3.8	2.3	1		
VS 200 S-P 300 T	0.8	0.6	1.2	0.9	3 - 400 V	1.55			7.7	6.4	5	3.8	2.3	1		
VS 200 S-P 460 M	1.4	1	2.2	1.6	1 - 230 V	7.2	20		11.8	10.8	9.8	8.5	7	5.5	2	
VS 200 S-P 460 T	1.4	1	2	1.45	3 - 400 V	2.4			11.8	10.8	9.8	8.5	7	5.5	2	



### OVERALL DIMENSIONS AND WEIGHTS

MODEL	Dimensions (mm)																	Weight (kg)
	A	B	C	D	E	F	G	H	I	L	M	N	O	P	Q	R	S	
VS 200 S - P 300 M	500	380	250	100	185	250	130	410	350	800	410	350	635	515	720	185	85	37
VS 200 S - P 300 T	500	380	250	100	185	250	130	410	350	800	410	350	635	515	720	185	85	39
VS 200 S - P 460 M	500	380	250	100	185	250	130	410	350	800	410	350	635	515	720	185	85	38.8
VS 200 S - P 460 T	500	380	250	100	185	250	130	410	350	800	410	350	635	515	720	185	85	40.6

## NOCCHI VACUSYSTEM COLLECTION STATIONS AND WASTE WATER LIFTING

2 ELECTRIC PUMPS, 2 DESCENT DEVICES, ELECTRICAL CONTROL AND PROTECTION PANEL

VACUSYSTEM 500 is an automatic pumping station, pre-assembled and ready to use. The ideal solution when waste water is collected at a lower level than the main sewage manifold. Assembled with PRIOX series electric submersible pumps.

### MOTOR

- Dry motor.
- Protection rating IP 68.
- Insulation class F.
- Single phase power supply with permanently activated capacitor and thermal cutout protection incorporated in the motor winding.
- Fully insulated cable connection chamber.
- Self-lubricating ball bearings.
- Rotation speed 2850 rpm.

### APPLICATION DATA

- Type of liquid: waste water with suspended solid bodies of maximum size 40 mm.
- Maximum liquid temperature: 40°C.
- Minimum drainage level: 60 mm.
- Walkover cover.



### DESIGN SPECIFICATIONS

- Tank:
  - polyethylene with capacity of 175 L, with cover complete with seal to ensure watertight protection from liquid and the risk of gas formation.
- Inlet manifolds DN 110, outlet 2" and bleed tube connector DN 50.
- Descent device.
- Electrical control and protection panel (for three phase electric pumps).
- Float with 10 m cable 2x1 H07 RN-F (for three phase electric pumps).
- Submersible pump: PRIOX 300/9 M, PRIOX 460/13 M, PRIOX 300/9 T, PRIOX 460/13 T.



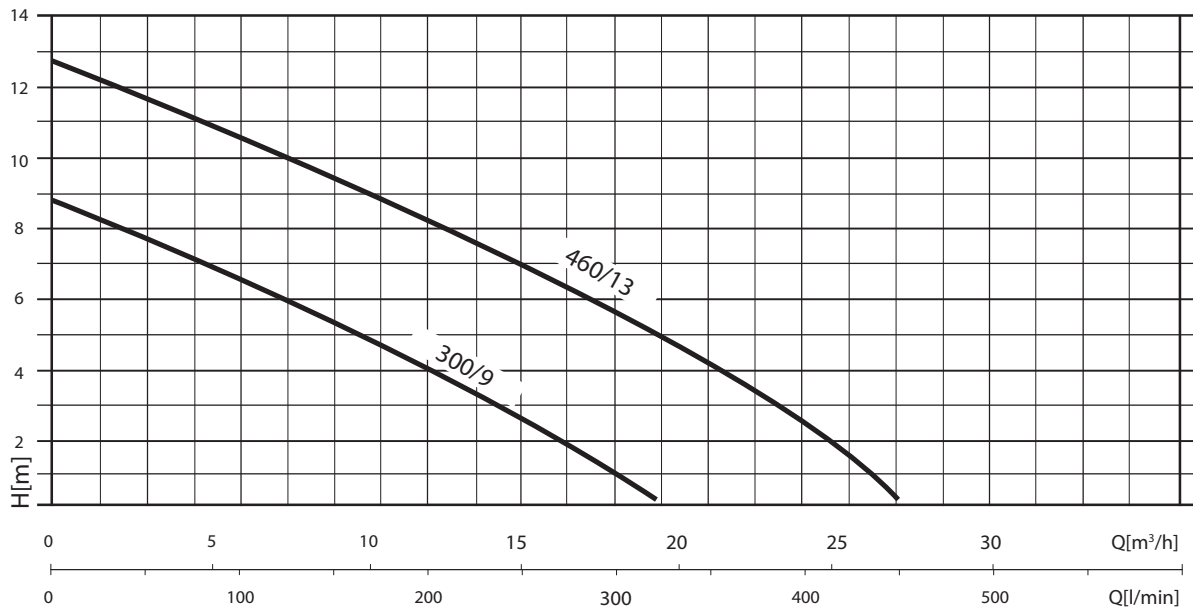
### TABLE OF MATERIALS

Component		Material
1	Pump body	Stainless steel X5 CrNi 1810 (AISI 304)
2	Suction base	Stainless steel X5 CrNi 1810 (AISI 304)
3	Impeller	Cast stainless steel X5 CrNi 1810 (AISI 304)
4	Power cable	10 m H07 RN-F
5	Motor shaft	Stainless steel X 12 CrNi 1809 (AISI 416)
6	Mechanical gasket	Silicon carbide
7	Counterface	Silicon carbide
8	Secondary seal	Lip seal in rubber NBR
9	V-ring sand guard	Rubber NBR

# NOCCHI VACUSYSTEM

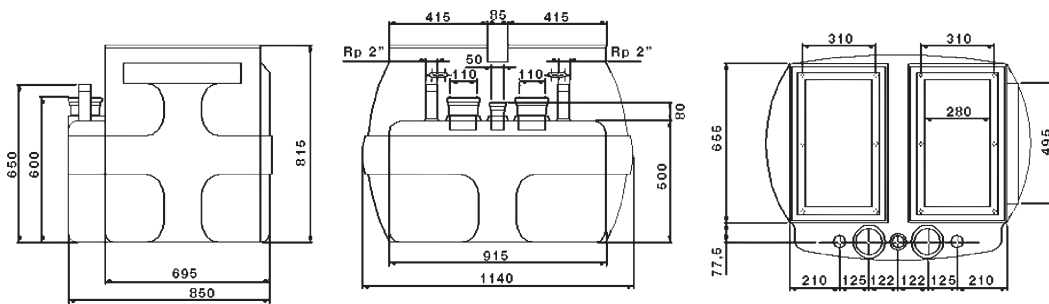
## COLLECTION STATIONS AND WASTE WATER LIFTING

### HYDRAULIC PERFORMANCE



### PERFORMANCE TABLE

MODEL	Power Motor (P2)		Power Motor (P1)		VOLT	In (A)	μF	Q	L/min	50	100	150	200	250	300	400
	HP	kW	HP	kW						3	6	9	12	15	18	24
VS 500 TWIN-P 300 M	0.8	0.6	1.2	0.9	1 ~ 230 V	4.1	12.5	m.c.a./m.w.c.	7.7	6.4	5	3.8	2.3	1		
VS 500 TWIN-P 300 T	0.8	0.6	1.2	0.9	3 ~ 400 V	1.55	7.7		6.4	5	3.8	2.3	1			
VS 500 TWIN-P 460 M	1.4	1	2.2	1.6	1 ~ 230 V	7.2	20		11.8	10.8	9.8	8.5	7	5.5	2	
VS 500 TWIN-P 460 T	1.4	1	2	1.45	3 ~ 400 V	2.4	11.8		10.8	9.8	8.5	7	5.5	2		



### OVERALL DIMENSIONS AND WEIGHTS

MODEL	Dimensions (mm)															Weight (kg)
	A	B	C	D	E	F	G	H	I	L	M	N	O	P	Q	
VS 500 TWIN - P 300 M	650	600	695	850	915	500	80	815	415	1140	655	77.5	310	495	280	89.4
VS 500 TWIN - P 300 T	650	600	695	850	915	500	80	815	415	1140	655	77.5	310	495	280	89.4
VS 500 TWIN - P 460 M	650	600	695	850	915	500	80	815	415	1140	655	77.5	310	495	280	93.8
VS 500 TWIN - P 460 T	650	600	695	850	915	500	80	815	415	1140	655	77.5	310	495	280	93.8