

NOCCHI MCX MULTI-CELL CENTRIFUGAL PUMPS

TOP HYDRAULIC PRESSURE AND FLOW PERFORMANCE, MINIMAL ELECTRICAL CONSUMPTION, ULTRA-SILENT OPERATION

MCX series horizontal multi-cell centrifugal pumps

MOTOR

- Closed, ventilated from exterior.
- Protection rating IP 44.
- Insulation class F.
- Single phase power supply with permanently activated capacitor and thermal cutout protection incorporated in the motor winding.
- Three phase power supply with external protection to be fitted by the user.
- Rotation speed 2850 rpm.
- Continuous duty.

APPLICATIONS

- Lifting and distribution of water in domestic systems.
- Pressure booster systems.
- Fire fighting systems.
- Washing, irrigation.

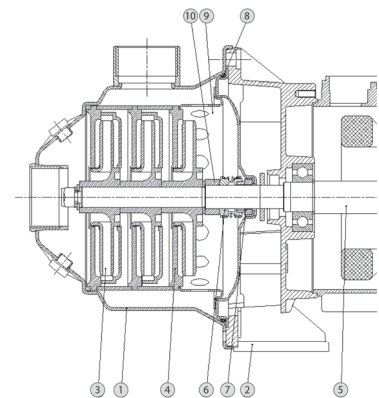
APPLICATION DATA

- Type of liquid: clean water without suspended solid bodies or abrasive material.
- Maximum liquid temperature: 50°C.
- Maximum recommended suction height: 6 m with foot valve.
- Maximum operating pressure: 7 bar.



TABLE OF MATERIALS

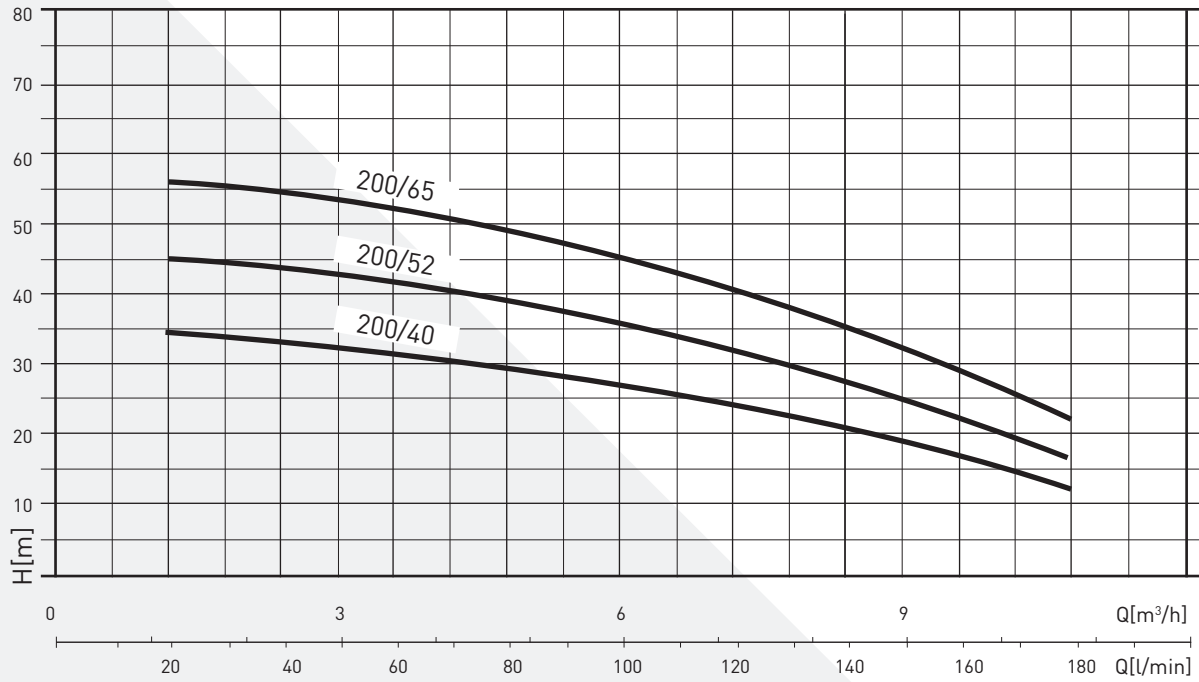
Component		Material
1	Pump body	Stainless steel X5 CrNi 1810 (AISI 304)
2	Motor bracket	Die cast aluminum
3	Impellers	Technopolymer with shim ring in stainless steel X5 CrNi 1810 (AISI 304)
4	Diffusers	Technopolymer
5	Shaft (hydraulic section)	Stainless steel X5 CrNi 1810 (AISI 304)
6	Mechanical gasket	Graphite
7	Counterface	Ceramic
8	Seals	NBR 70 Shore
9	Seal holder base	Noryl GNF 2V (stainless steel on 200-liter version)
10	Spacer	Stainless steel X 10 CrNiS 1809 (AISI 303)



NOCCHI MCX

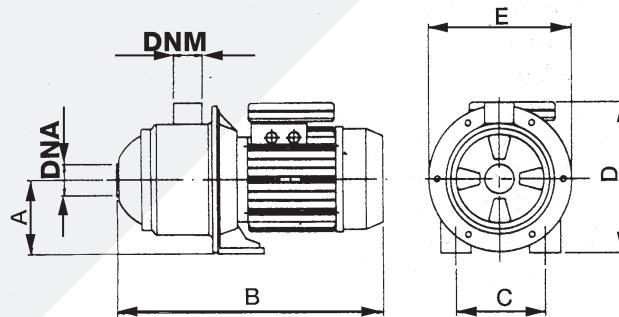
MULTI-CELL CENTRIFUGAL PUMPS

HYDRAULIC PERFORMANCE



PERFORMANCE TABLE

MODEL	Motor output (P2)		Motor output (P1)		VOLT	In (A)	μF	Q	L/min m³/h	20	60	100	140	180
	HP	kW	HP	kW						1.2	3.6	6	8.4	10.8
MCX 200/40 M MCX 200/40 T	1.4	1	1.9 1.7	1.4 1.3	1 ~ 230 V 3 ~ 230 - 400 V	6.3 4-2.3	20	m.c.a./m.w.c.	33.7	32.1	27.6	21.5	13.1	
MCX 200/52 M MCX 200/52 T	1.6	1.2	2.4 2.3	1.8 1.7	1 ~ 230 V 3 ~ 230 - 400 V	8.5 5.7-3.3	25		44.9	42.8	36.8	28.6	17.5	
MCX 200/65 M MCX 200/65 T	2	1.5	3 2.8	2.2 2.1	1 ~ 230 V 3 ~ 230 - 400 V	9.5 7.3-4.2	35		56.1	53.4	46	35.8	21.8	



OVERALL DIMENSIONS AND WEIGHTS

MODEL	Dimensions (mm)							Weight (kg)
	A	B	C	D	E	DNA	DNM	
MCX 200/40	105	400	141	235	205	1" 1/4	1" 1/4	14
MCX 200/52	105	430	141	235	205	1" 1/4	1" 1/4	16
MCX 200/65	105	460	141	235	205	1" 1/4	1" 1/4	18