

NOCCHI MCP

ELECTRIC MULTI-CELL CENTRIFUGAL PUMPS FOR SWIMMING POOLS

PUMPS FOR SWIMMING POOLS, ULTRA-SILENT OPERATION, SUITABLE FOR OPERATION WITH SEA WATER

The multi-cell centrifugal pumps in the MCP series are suitable for cleaning the bottom of swimming pools.

MOTOR

- Closed, ventilated from exterior.
- -Protection rating IP 44.
- -Insulation class F.
- -Single phase power supply with permanently activated capacitor and thermal cutout protection incorporated in the motor winding.
- Rotation speed 2850 rpm.
- Continuous duty.

APPLICATION DATA

- Type of liquid: clean water without suspended solid bodies or abrasive material.
- Swimming pool water (containing chlorine), sea water.
- Maximum liquid temperature: 50°C.
- Maximum recommended suction height: 6 m with foot valve.
- Maximum operating pressure: 7 bar.

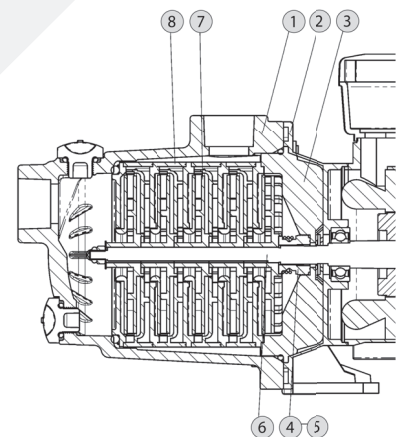
APPLICATIONS

- For cleaning the bottom of swimming pools
- Swimming pool water (containing chlorine), sea water.



TABLE OF MATERIALS

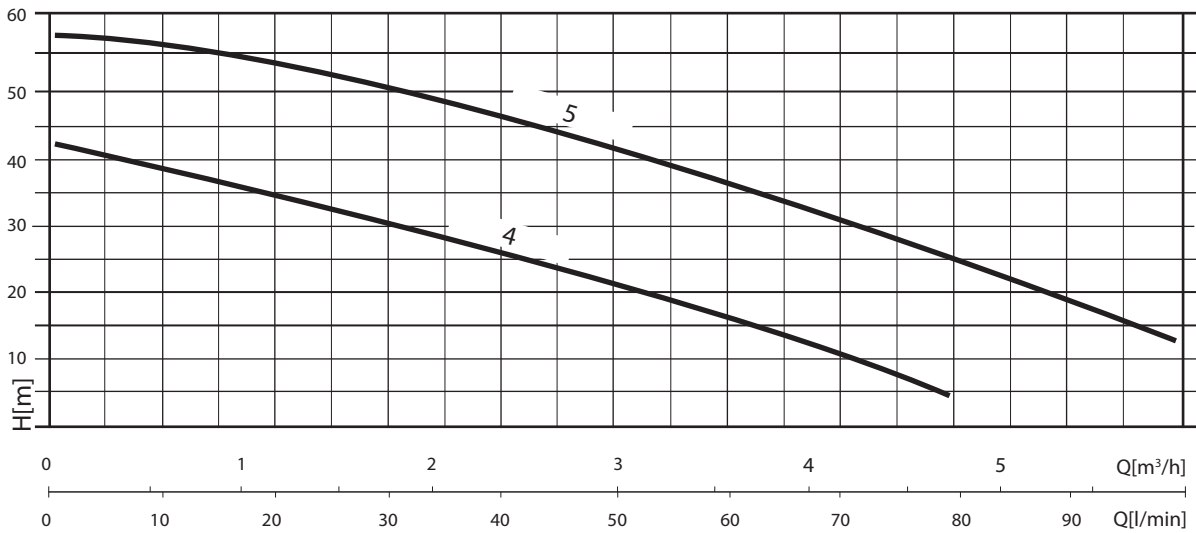
	Component	Material
1	Pump body	30% polypropylene with glass fiber reinforcement
2	Motor bracket	Die cast aluminum
3	Seal holder flange	GFN ZV noryl
4	Mechanical gasket	Graphite/ceramic metal parts in stainless steel AISI 316
5	Counterface	Ceramic
6	Motor shaft	X2 CrNiMo 17 - 12 - 2 (AISI 316L)
7	Impellers	Technopolymer with stainless steel inserts
8	Diffusers	Technopolymer
9	Seals	NBR



NOCCHI MCP

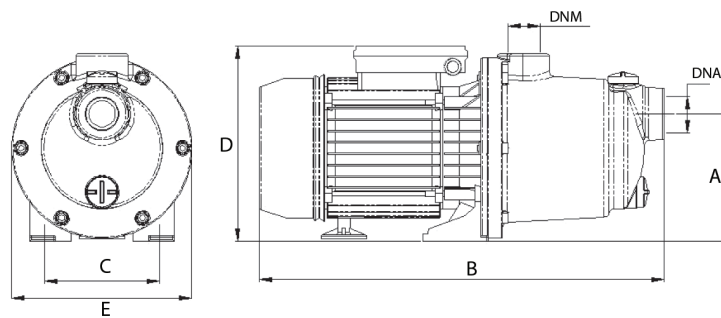
ELECTRIC MULTI-CELL CENTRIFUGAL PUMPS FOR SWIMMING POOLS

HYDRAULIC PERFORMANCE



PERFORMANCE TABLE

MODEL	Power Motor (P2)		Power Motor (P1)		VOLT	In (A)	μF	Q	L/min m³/h	0	20	40	60	80	100
	HP	kW	HP	kW						0	1.2	2.4	3.6	4.8	6
MCP 4	0.7	0.5	1.1	0.8	1 ~ 230 V	4	12.5	m.c.a. / m.v.c.	42	34	27	15	6		
MCP 5	1.1	0.85	1.7	1.25	1 ~ 230 V	5.8	20		58	54	47	36	25	11	



OVERALL DIMENSIONS AND WEIGHTS

MODEL	Dimensions (mm)							Weight (kg)
	A	B	C	D	E	DNA	DNM	
MCP 4	123	370	99	185	174	1"	1"	7
MCP 5	123	385	99	190	174	1"	1"	9