

NOCCHI DPC

ELECTRIC SUBMERSIBLE PUMP FOR FRESH WATER DRAINAGE

COMPACT SIZE, INTEGRATED FLOAT, MANUAL-AUTOMATIC SELECTOR, MINIMUM DRAINAGE LEVEL 3 MM

DPC submersible pumps for fresh water have been designed for domestic applications such as for draining infiltration water, lifting water from collection trains, basins or cisterns. Check valve and hose connector adaptable for hoses of 3/4 or \varnothing 25-32, included in supply.

APPLICATION DATA

- Maximum liquid temperature: 40°C.
- Maximum immersion below water level: 7 m.
- Minimum drainage level: 3 mm.
- Free transit of solid bodies: 5 mm.

MOTOR

- Electric asynchronous single phase motor with permanently activated capacitor and incorporated thermal cutout protection
- Protection rating IP 68.
- Insulation class F.
- Fully insulated cable connection chamber
- Rotation speed 2850 rpm.

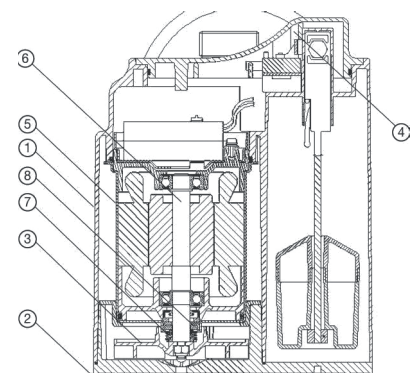
APPLICATIONS

- Drainage of infiltration water, lifting of rainwater from grille or drain
- Emptying of areas, tanks and wells



TABLE OF MATERIALS

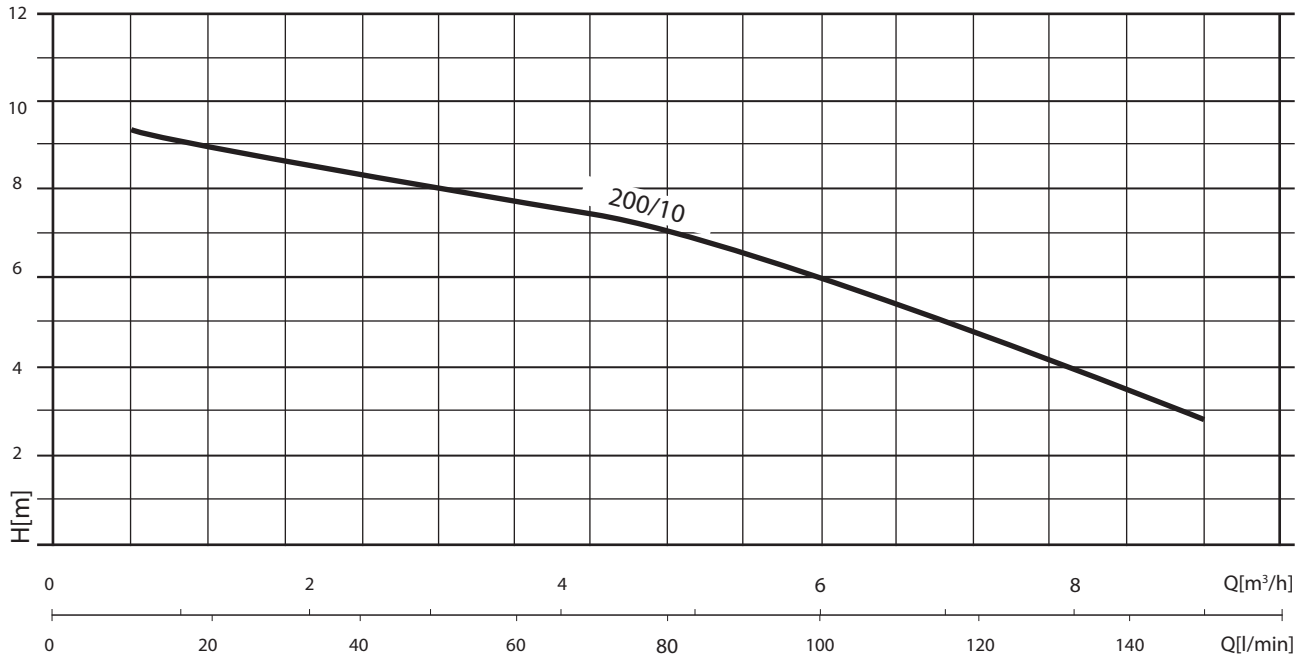
Component		Material
1	Pump body	Technopolymer
2	Suction base	Technopolymer
3	Impeller	Technopolymer
4	Motor body	Stainless steel X 8 CrNi 18-10 (AISI 304)
5	Power cable	10 m H05 RN-F with Schuko plug
6	Motor shaft	Stainless steel X 8 CrNi 18-9 (AISI 303)
7	Mechanical gasket	Graphite
8	Counterface	Ceramic
9	Secondary seal	Rubber NBR



NOCCHI DPC

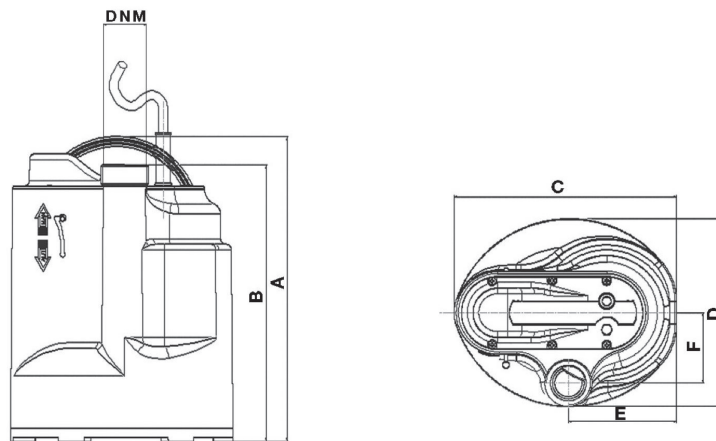
ELECTRIC SUBMERSIBLE PUMP FOR FRESH WATER DRAINAGE

HYDRAULIC PERFORMANCE



PERFORMANCE TABLE

MODEL	P1		VOLT	In (A)	μF	Q	L/ min m³/h	0	25	50	100	150
	HP	kW						0	1.5	3	6	9
DPC 200/10	0.87	0.65	1 ~ 230 V	2.9	8	m.c.a. m.w.c.	10	8	6	4.6	2.2	



OVERALL DIMENSIONS AND WEIGHTS

MODEL	Dimensions (mm)							Weight (kg)
	A	B	C	D	E	F	DNM	
DPC 200/10	273	148	200	170	97	63	1" 1/4	5.6