

NOCCHI DP

ELECTRIC SUBMERSIBLE PUMP FOR FRESH WATER DRAINAGE

COMPACT AND PRACTICAL, EASILY TRANSPORTED FOR EMERGENCY USE

PGA pumps are particularly suited for the transfer of diesel. Available in complete version with power cable, switch and handle. Equipped with safety hose for collection of any spillage.

MOTOR

- Electric asynchronous single phase motor with permanently activated capacitor and incorporated thermal cutout protection
- Protection rating IP 68.
- Insulation class F.
- Fully insulated cable connection chamber
- Rotation speed 2850 rpm.

APPLICATIONS

- Drainage of infiltration water, lifting of rainwater from grille or drain
- Emptying of areas, tanks and wells

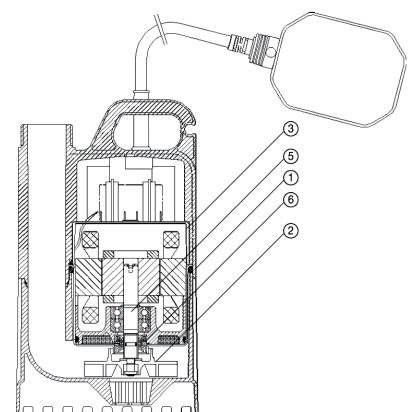
APPLICATION DATA

- Maximum liquid temperature: 40°C.
- Maximum immersion below water level: 7 m.
- Minimum drainage level: 10 mm.
- Free transit of solid bodies: 6 mm.



TABLE OF MATERIALS

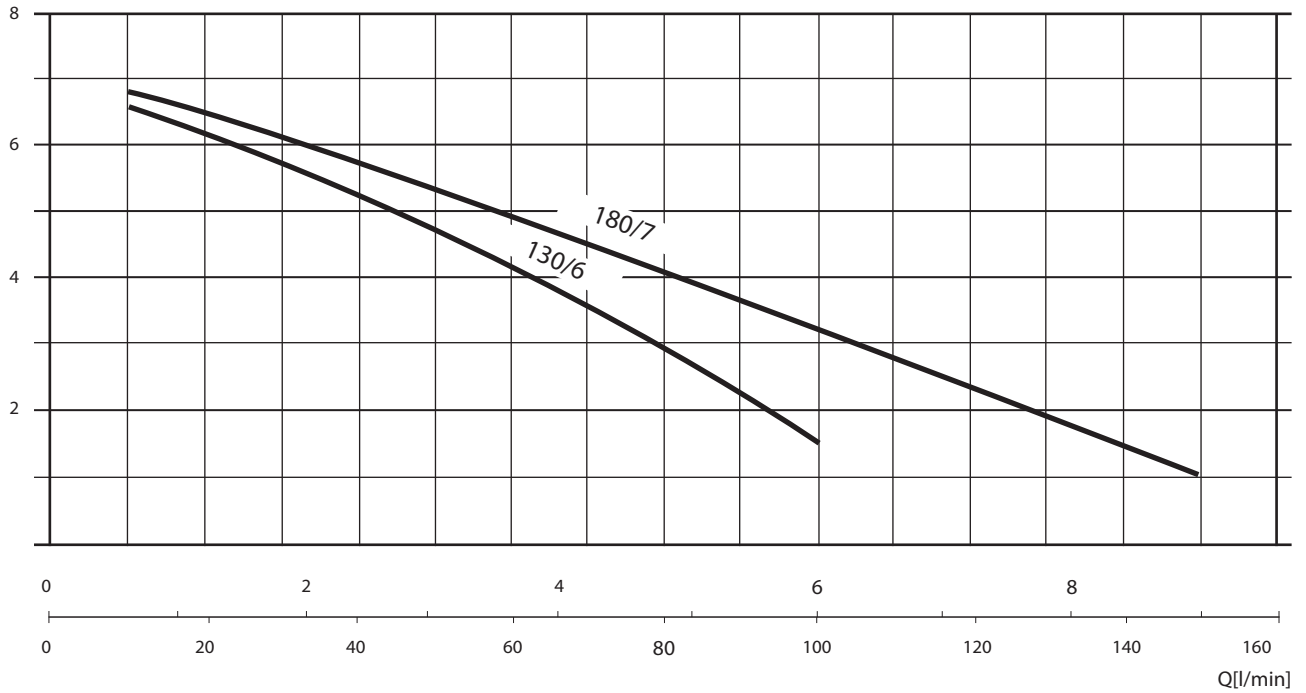
Component	Material
1 Pump body	Technopolymer
2 Impeller	Technopolymer
3 Motor body	Stainless steel X 8 CrNi 18-10 (AISI 304)
4 Power cable	10 m H07 RN-F with plug
5 Motor shaft	Stainless steel X 12 CrS 13 (AISI 416) with ceramic coating on point of wear of seal
6 Seal	Double fixed seal in rubber NBR70 lubricated in oil chamber



NOCCHI DP

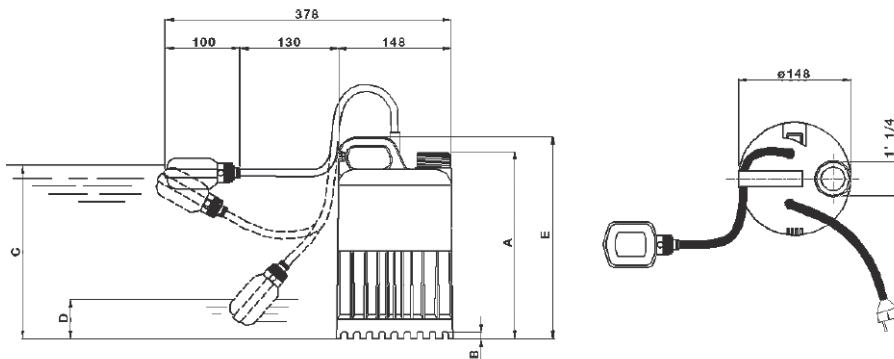
ELECTRIC SUBMERSIBLE PUMP FOR FRESH WATER DRAINAGE

HYDRAULIC PERFORMANCE



PERFORMANCE TABLE

MODEL	Power Motor (P2)		VOLT	In (A)	μF	Q	L/ min m ³ /h	0	25	50	100	150
	HP	kW						0	1.5	3	6	9
DP 130/6 DP 130/6 AUT.	0.4	0.3	1 - 230 V	1.4	6.3	m.c.a. m.w.c.	7	6	4.5	1.7		
DP 180/7 AUT.	0.5	0.37	1 - 230 V	1.6	10		7	6.2	5.2	3.2	1.1	



OVERALL DIMENSIONS AND WEIGHTS

MODEL	Dimensions (mm)					Weight (kg)
	A	B	C	D	E	
DP 130/6 AUT.	236	10	330	150	256	3.9
DP 180/7 AUT.	236	10	330	150	256	4.2