

# NOCCHI DHI

## MULTI-CELL CENTRIFUGAL PUMPS IN AISI 316 STAINLESS STEEL

HYDRAULICS IN AISI 316 STAINLESS STEEL

DHI horizontal multi-cell centrifugal pumps offer the advantages of: High hydraulic performance in terms of pressure and flow rate. Minimal electrical energy consumption Ultra-silent operation

### APPLICATION DATA

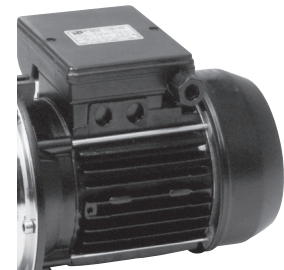
- Type of liquid: clean water without suspended solid bodies or abrasive material.
- Maximum liquid temperature: 90°C.
- Max recommended suction height: 6 m with foot valve (with liquid temp. at 50° C).
- Maximum operating pressure: 10 bar. (with liquid temp. at 50°C) 6 bar (with liquid temp. at 90°C).

### APPLICATIONS

- Handling of aggressive liquids.
- Lifting and distribution of water in domestic systems, with continuous or intermittent duty.
- Pressure booster systems.
- Washing, garden irrigation, fountains.

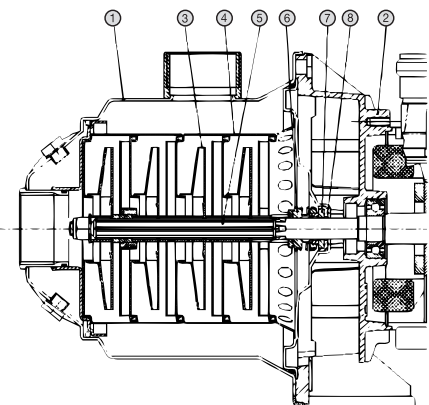
### MOTOR

- Asynchronous motor.
- Closed, ventilated from exterior.
- Protection rating IP 44.
- Insulation class F.
- Single phase power supply with permanently activated capacitor and thermal cutout protection incorporated in the motor winding.
- Three phase power supply with external protection to be fitted by the user.
- Rotation speed 2850 rpm.
- Continuous duty.



### TABLE OF MATERIALS

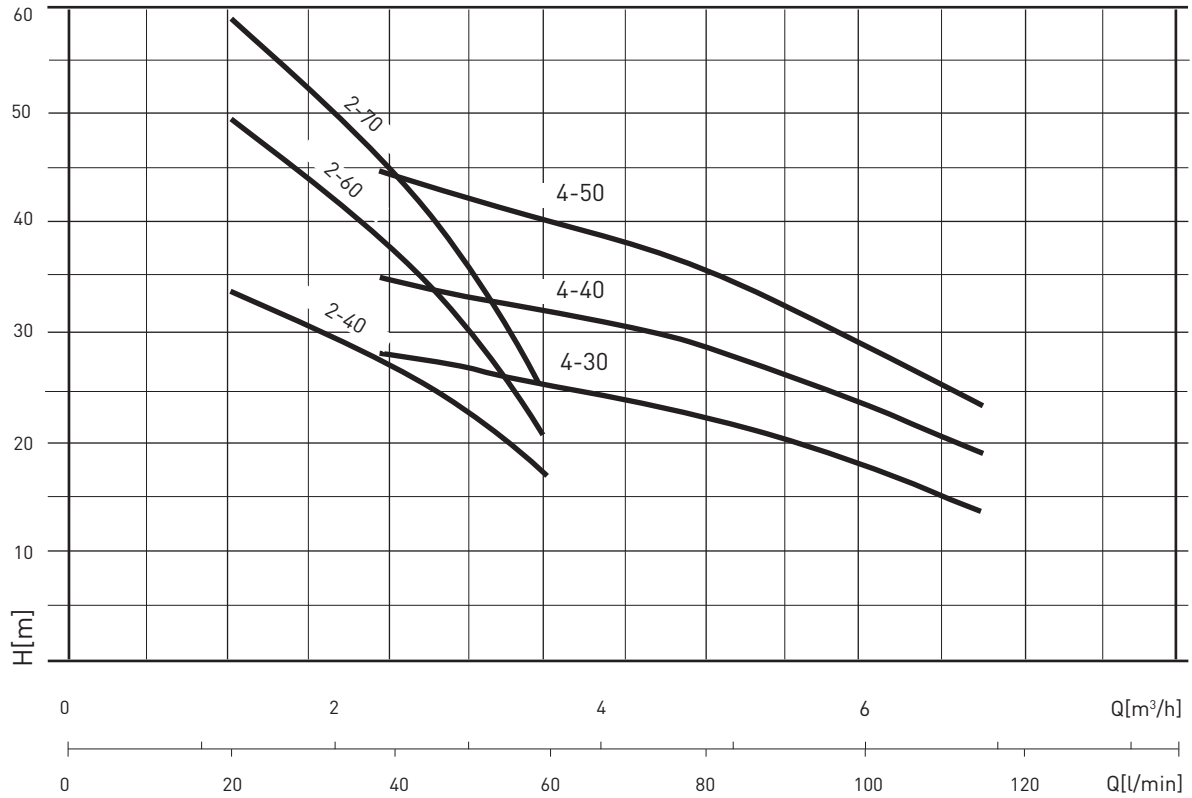
Component	Material
1 Pump body	Stainless steel X CrNiMo 17-12-03 (AISI 316)
2 Motor bracket	Die cast aluminum
3 Impeller	Stainless steel X CrNiMo 17-12-03 (AISI 316)
4 Intermediate chamber	Stainless steel X CrNiMo 17-12-03 (AISI 316)
5 Motor shaft	Stainless steel X CrNiMo 17-12-03 (AISI 316)
6 Mechanical gasket	Graphite
7 Counterface	Ceramic
8 Seal holder flange	Stainless steel X CrNiMo 17-12-03 (AISI 316)
Seals	EPDM



# NOCCHI DHI 2 - DHI 4

## MULTI-CELL CENTRIFUGAL PUMPS IN AISI 316 STAINLESS STEEL

### HYDRAULIC PERFORMANCE



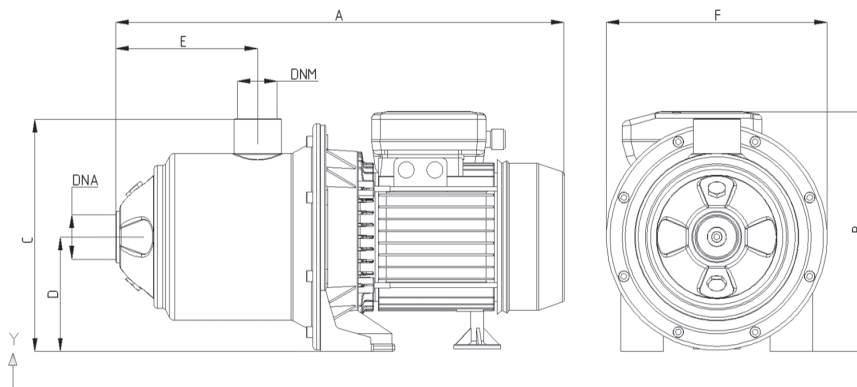
### PERFORMANCE TABLE

MODEL	Motor output		Absorbed power		Volt	In (A)	$\mu F.$	Q	L/min	10	20	30	40	50	60
	HP	kW	HP	kW					m³/h	0.6	1.2	1.8	2.4	3	3.6
DHI 2-40 M	0.5	0.4	0.9	0.7	1 ~ 230 V	3.2	12.5	m.c.a./m.w.c.	36	34	31	27	22	17	
DHI 2-40 T	0.5	0.4	0.9	0.7	3 ~ 230/400 V	2.3 - 1.4	-		36	34	31	27	22	17	
DHI 2-60 M	0.8	0.6	1.2	0.9	1 ~ 230 V	4.1	16		53	49	43	37	30	21	
DHI 2-60 T	0.8	0.6	1.2	0.9	3 ~ 230/400 V	3 - 1.8	-		53	49	43	37	30	21	
DHI 2-70 M	1	0.78	1.5	1.1	1 ~ 230 V	5.2	20		63	58	52	44	36	26	
DHI 2-70 T	1	0.78	1.36	1	3 ~ 230/400 V	3 - 1.8	-		63	58	52	44	36	26	

MODEL	Motor output		Absorbed power		Volt	In (A)	$\mu F.$	Q	L/min	40	50	60	80	100	120
	HP	kW	HP	kW					m³/h	2.4	3	3.6	4.8	6	7.2
DHI 4-30 M	0.67	0.5	1.1	0.8	1 ~ 230 V	3.6	12.5	m.c.a./m.w.c.	27	26	25	22	18	14	
DHI 4-30 T	0.67	0.5	1.1	0.8	3 ~ 230/400 V	2.9 - 1.7	-		27	26	25	22	18	14	
DHI 4-40 M	0.94	0.7	1.36	1	1 ~ 230 V	4.4	16		35	33	32	28	24	18	
DHI 4-40 T	0.94	0.7	1.36	1	3 ~ 230/400 V	3.3 - 2	-		35	33	32	28	24	18	
DHI 4-50 M	1.2	0.9	1.68	1.25	1 ~ 230 V	5.8	20		44	42	40	36	30	23	
DHI 4-50 T	1.2	0.9	1.6	1.2	3 ~ 230/400 V	3.3 - 2	-		44	42	40	36	30	23	

# NOCCHI DHI 2 - DHI 4

## MULTI-CELL CENTRIFUGAL PUMPS IN AISI 316 STAINLESS STEEL



### OVERALL DIMENSIONS AND WEIGHTS

MODEL	Dimensions (mm)								Net weight (kg)
	A	B	C	D	E	F	DNA	DNM	
DHI 2-40	368	220	213.5	105	80	208	1" 1/4	1" 1/4	11
DHI 2-60	396	220	213.5	105	108	208	1" 1/4	1" 1/4	11.7
DHI 2-70	422	220	213.5	105	134	208	1" 1/4	1" 1/4	14.1
DHI 4-30	368	220	213.5	105	80	208	1" 1/4	1" 1/4	11.3
DHI 4-40	396	220	213.5	105	108	208	1" 1/4	1" 1/4	12.1
DHI 4-50	422	220	213.5	105	134	208	1" 1/4	1" 1/4	14

**LENNTECH**

info@lennotech.com Tel. +31-152-610-900  
 www.lennotech.com Fax. +31-152-616-289