

NOCCHI CPS20

VARIABLE SPEED PRESSURE BOOSTER SETS WITH TWO PUMPS

The new series of variable speed pressure booster sets CPS20 offers a reliable and simple solution for residential and industrial applications. The system envisages the parallel installation of two inverters integrated directly on the motor of each electric pump installed. The two frequency converters communicate and alternate the starting sequence on each work cycle, keeping constant pressure in the distribution system.

APPLICATIONS

- Lifting and distribution of water in domestic systems.
- Pressure booster systems
- Irrigation
- Industry
- Washing

TECHNICAL SPECIFICATIONS

- Power supply voltage: inverter 1x230 Vac \pm 10 %.
- Inverter output voltage: 3x230 Vac \pm 10 %.
- Maximum nominal power: 2x2. kW.
- Input frequency: 50/60 Hz + 3%.
- Maximum nominal output current: 8 Amp.
- Protection rating: 1P55-VLR / 1P54-DHR ; IP-44 MULTINOX, MULTINOX-A, MULTINOX-VE, JET, JETINOX.
- Max. temperature: 50°C.
- Inlet filter compliant with EMC directive.
- Pressure transducer 0 - 5 Volt - 0 - 10 Bar.
- Interface connectivity: RS 485 serial port.
- 3 optional contacts (external set-point, alarm, system disable).

BASE

- In galvanized sheet steel complete vibration damper feet.

SUCTION MANIFOLD

In galvanized steel with:

- 2 brass ball valves *

DELIVERY MANIFOLD

In galvanized steel with:

- 2 brass ball valves *
- 1 pressure gauge
- 2 pressure sensors.

Electrical protection panel with thermal magnetic cut-outs.

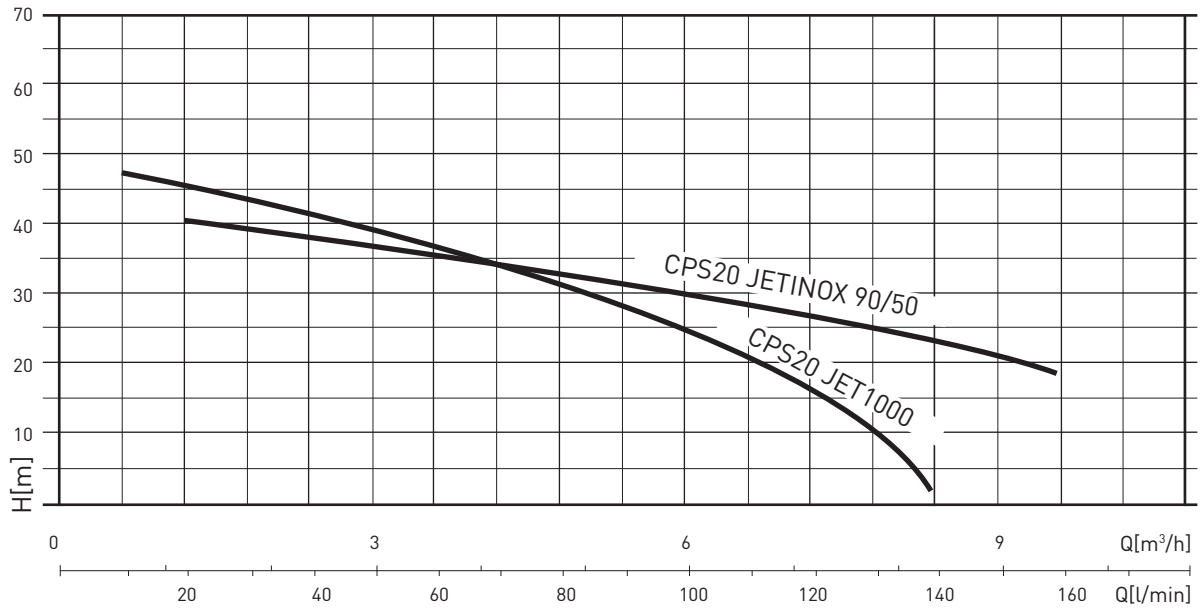
| TYPE | MODEL | kW (P2) | Q1 l/m | Q2 l/m | H1 m | H2 m |
|---------------|----------------------------|---------|--------|--------|------|------|
| HORIZONTAL | CPS20 JET 1000 | 2x1 | 10 | 140 | 42 | 20 |
| | CPS20 JETINOX 90/50 | 2x0.9 | 20 | 160 | 44 | 3 |
| | CPS20 MULTINOX-XC 80/48 | 2x0.55 | 20 | 160 | 37 | 4 |
| | CPS20 MULTINOX-XC 120/45 | 2x0.85 | 20 | 200 | 43 | 3 |
| | CPS20 MULTINOX-XC 120/60 | 2x0.9 | 20 | 200 | 53 | 7 |
| | CPS20 MULTINOX-A 200/40 hv | 2x1.1 | 40 | 360 | 34 | 13 |
| | CPS20 MULTINOX-A 200/65 | 2x1.4 | 40 | 360 | 56 | 22 |
| | CPS20 MULTINOX-A 200/80 | 2x1.8 | 40 | 360 | 67 | 26 |
| | CPS20 DHR 2-50 | 2x0.5 | 20 | 100 | 25 | 12 |
| | CPS20 DHR 4-50 | 2x0.7 | 80 | 240 | 39 | 17 |
| | CPS20 DHR 4-60 | 2x1.1 | 80 | 240 | 49 | 25 |
| | CPS20 DHR 9-40 | 2x1.3 | 80 | 480 | 40 | 10 |
| | CPS20 DHR 9-60 | 2x1.9 | 804 | 80 | 60 | 14 |
| VERTICAL | CPS20 MULTINOX-VE 200/40 | 2x1.1 | 40 | 360 | 34 | 13 |
| | CPS20 MULTINOX-VE 200/65 | 2x1.4 | 40 | 360 | 56 | 22 |
| | CPS20 MULTINOX-VE200/80 | 2x1.8 | 40 | 320 | 67 | 26 |
| | CPS20 VLR2B/60 | 2x0.75 | 20 | 100 | 54 | 30 |
| | CPS20 VLR2B/110 | 2x1, | 120 | 100 | 100 | 55 |
| | CPS20 VLR 4-60 | 2x1.1 | 80 | 240 | 53 | 27 |
| | CPS20 VLR 4-80 | 2x1.5 | 80 | 240 | 71 | 35 |
| | CPS20 VLR 4-100 | 2x2.2 | 80 | 240 | 89 | 44 |
| CPS20 VLR8-40 | 2x1.5 | 100 | 400 | 41 | 22 | |



NOCCHI CPS20 JET - JETINOX

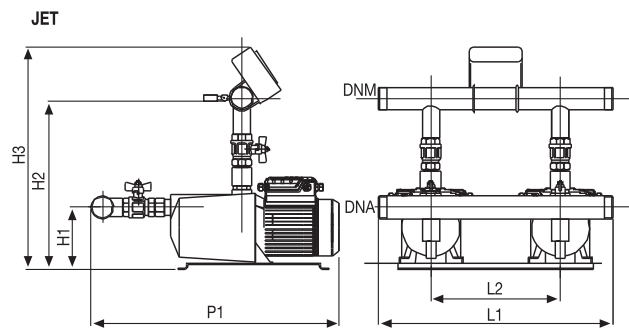
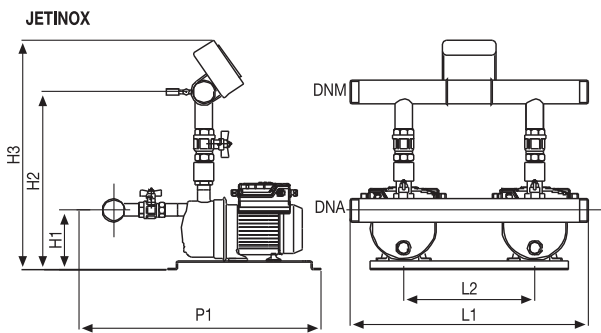
VARIABLE SPEED PRESSURE BOOSTER SETS WITH TWO PUMPS

HYDRAULIC PERFORMANCE



PERFORMANCE TABLE

| MODEL | P1 | | Volt | In (A) | Q | L/min m³/h | 20 | 40 | 60 | 80 | 100 | 120 | 140 | 160 |
|--------------------|-------|-------|---------|--------|-------------------|---------------|-----|-----|-----|-----|-----|-----|-----|-----|
| | HP | kW | | | | | 1.2 | 2.4 | 3.6 | 4.8 | 6 | 7.2 | 8.4 | 9.6 |
| CPS20-JETINOX90/50 | 2x2 | 2x1.5 | 1 - 230 | 2x9 | m.c.a./ m.w.c. | 42 | 39 | 37 | 33 | 30 | 27 | 25 | 20 | |
| CPS20- JET 1000 | 2x1.5 | 2x1.1 | 1 - 230 | 2x7.7 | | 44 | 41 | 37 | 32 | 25 | 15 | 3 | | |



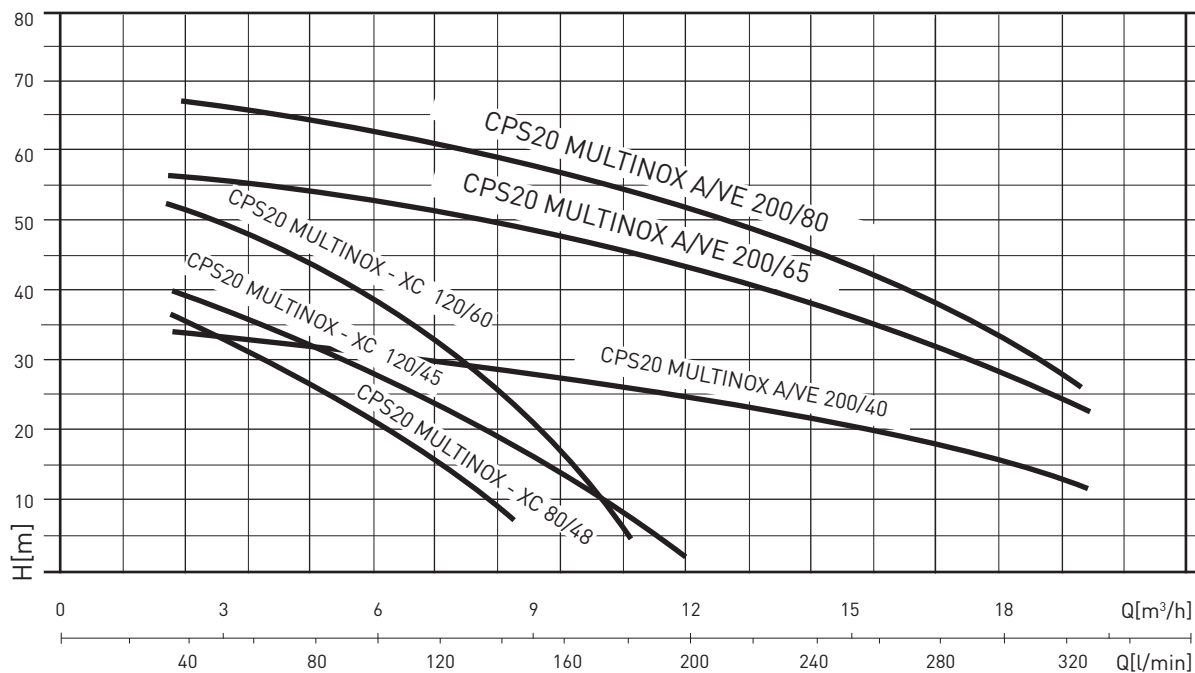
OVERALL DIMENSIONS AND WEIGHTS

| MODEL | Dimensions (mm) | | | | | | | | Weight kg |
|--------------------|-----------------|-----|-----|-----|-----|-----|-----|-----|--------------|
| | L1 | L2 | H1 | H2 | H3 | P1 | DNA | DNM | |
| CPS20 JETINOX90/50 | 460 | 320 | 40 | 243 | 450 | 740 | 2" | 2" | 70 |
| CPS20 JET 1000 | 670 | 370 | 165 | 465 | 500 | 690 | 2" | 2" | 65 |

NOCCHI CPS20 MULTINOX

VARIABLE SPEED PRESSURE BOOSTER SETS WITH TWO PUMPS

HYDRAULIC PERFORMANCE



PERFORMANCE TABLE

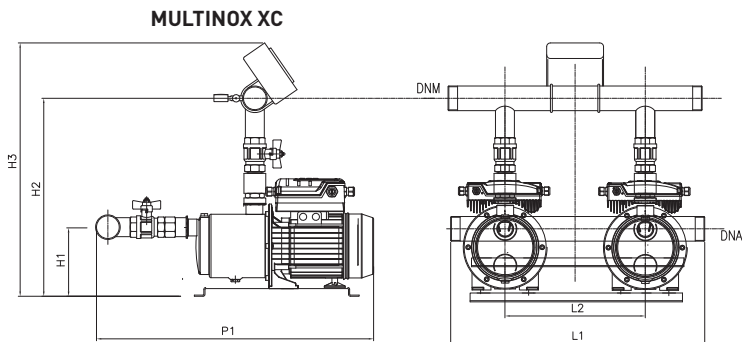
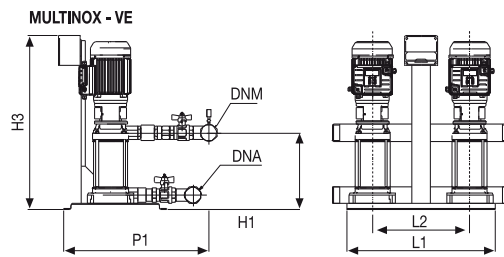
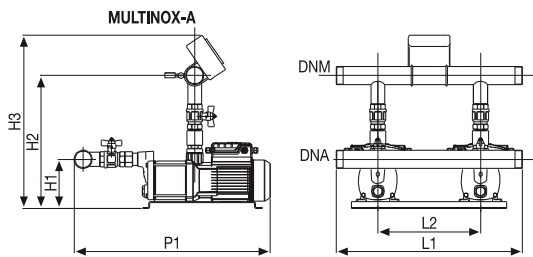
| MODEL | P1 | | Volt | In (A) | Q | L/min m³/h | 40 | 80 | 120 | 160 | 200 | 280 | 360 |
|--------------------------|--------|--------|---------|--------|---------------|---------------|------|-----|-----|-----|------|------|------|
| | HP | kW | | | | | 2.4 | 4.8 | 7.2 | 9.6 | 12.0 | 16.8 | 21.6 |
| CPS20/MULTINOX-XC 80/48 | 2x0.75 | 2x0.55 | 1 ~ 230 | 2x5.1 | m.c.a./m.w.c. | 34 | 25 | 15 | 4 | | | | |
| CPS20/MULTINOX-XC 120/45 | 2x1.1 | 2x0.85 | 1 ~ 230 | 2x8.1 | | 40 | 33 | 24 | 14 | 3 | | | |
| CPS20/MULTINOX-XC 120/60 | 2x1.2 | 2x0.9 | 1 ~ 230 | 2x8 | | 49 | 42 | 32 | 20 | 7 | | | |
| CPS20/MULTINOX-A 200/40 | 2x1.6 | 2x1.2 | 1 ~ 230 | 2x8.7 | | 34 | 33 | 32 | 29 | 27 | 21 | 13 | |
| CPS20/MULTINOX-A 200/65 | 2x2.7 | 2x2 | 1 ~ 230 | 2x14.4 | | 56 | 55 | 54 | 50 | 46 | 36 | 22 | |
| CPS20/MULTINOX-A 200/80 | 2x3.1 | 2x2.3 | 1 ~ 230 | 2x15.5 | | 67 | 65.5 | 64 | 60 | 55 | 43 | 26 | |
| CPS20/MULTINOX-VE 200/40 | 2x1.6 | 2x1.2 | 1 ~ 230 | 2x8.7 | | 34 | 33 | 32 | 29 | 27 | 21 | 13 | |
| CPS20/MULTINOX-VE 200/65 | 2x2.7 | 2x2 | 1 ~ 230 | 2x14.4 | | 56 | 55 | 54 | 50 | 46 | 36 | 22 | |
| CPS20/MULTINOX-VE 200/80 | 2x3.1 | 2x2.3 | 1 ~ 230 | 2x15.5 | | 67 | 65.5 | 64 | 60 | 55 | 43 | 26 | |

NOCCHI CPS20 MULTINOX

VARIABLE SPEED PRESSURE BOOSTER SETS WITH TWO PUMPS

OVERALL DIMENSIONS AND WEIGHTS

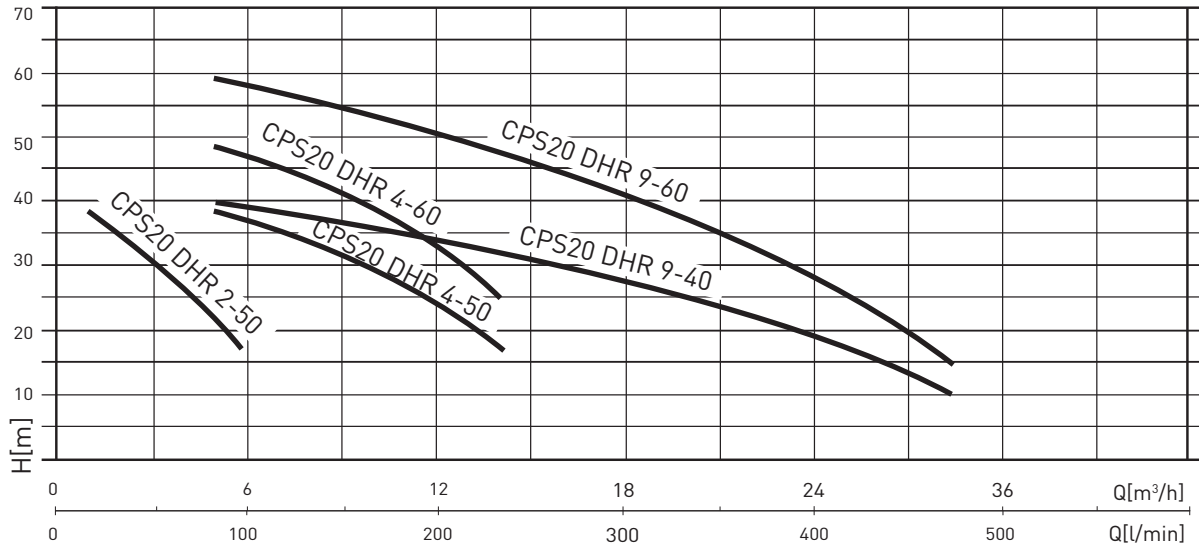
| MODEL | Dimensions (mm) | | | | | | | | Weight kg |
|--------------------------|-----------------|-----|-----|-----|-----|-----|--------|--------|-----------|
| | L1 | L2 | H1 | H2 | H3 | P1 | DNA | DNM | |
| CPS20/MULTINOX-XC 80/48 | 570 | 310 | 159 | 365 | 535 | 610 | 1 1/2" | 1 1/2" | 41 |
| CPS20/MULTINOX-XC 120/45 | 570 | 310 | 159 | 365 | 535 | 635 | 1 1/2" | 1 1/2" | 45 |
| CPS20/MULTINOX-XC 120/60 | 570 | 310 | 159 | 365 | 535 | 645 | 1 1/2" | 1 1/2" | 48 |
| CPS20/MULTINOX-A 200/40 | 650 | 370 | 170 | 485 | 690 | 690 | 2" | 2" | 70 |
| CPS20/MULTINOX-A 200/65 | 670 | 370 | 170 | 485 | 690 | 695 | 2" | 2" | 75 |
| CPS20/MULTINOX-A 200/80 | 670 | 370 | 170 | 485 | 690 | 725 | 2" | 2" | 83 |
| CPS20/MULTINOX-VE 200/40 | 460 | 320 | 40 | 183 | 450 | 740 | 2" | 2" | 60 |
| CPS20/MULTINOX-VE 200/65 | 460 | 320 | 40 | 243 | 450 | 740 | 2" | 2" | 70 |
| CPS20/MULTINOX-VE 200/80 | 460 | 320 | 40 | 260 | 450 | 740 | 2" | 2" | 79 |



NOCCHI CPS20 DHR

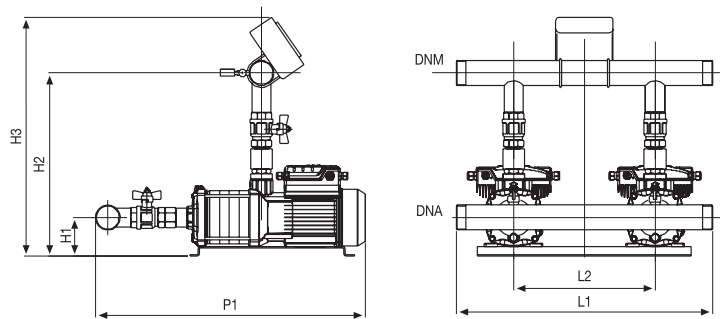
VARIABLE SPEED PRESSURE BOOSTER SETS WITH TWO PUMPS

HYDRAULIC PERFORMANCE



PERFORMANCE TABLE

| MODEL | P1 | | Volt | In (A) | Q | L/min | | | | | | | | | | | | | | | |
|----------------|--------|-------|---------|--------|---------------|-------|-----|-----|-----|-----|-----|-----|-----|------|------|------|------|------|--|--|--|
| | HP | kW | | | | 20 | 40 | 60 | 80 | 100 | 120 | 160 | 200 | 240 | 320 | 400 | 480 | | | | |
| | | | | | | m³/h | 1.2 | 2.4 | 3.6 | 4.8 | 6.0 | 7.2 | 9.6 | 12.0 | 14.4 | 19.2 | 24.0 | 28.8 | | | |
| CPS20/DHR 2-50 | 2x1 | 2x1.0 | 1 ~ 230 | 2x5.5 | m.c.a./m.w.c. | 39 | 35 | 30 | 23 | 17 | | | | | | | | | | | |
| CPS20/DHR 4-50 | 2x1.7 | 2x1.1 | 1 ~ 230 | 2x10.6 | | | | | | 39 | 38 | 35 | 31 | 25 | 17 | | | | | | |
| CPS20/DHR 4-60 | 2x2.15 | 2x1.1 | 1 ~ 230 | 2x9.5 | | | | | | 49 | 47 | 45 | 41 | 34 | 25 | | | | | | |
| CPS20/DHR 9-40 | 2x2.15 | 2x1.1 | 1 ~ 230 | 2x9.5 | | | | | | 40 | 39 | 38 | 38 | 35 | 33 | 27 | 19 | 10 | | | |
| CPS20/DHR 9-60 | 2x3.35 | 2x2.2 | 1 ~ 230 | 2x15.8 | | | | | | 60 | 58 | 57 | 56 | 53 | 49 | 40 | 29 | 14 | | | |



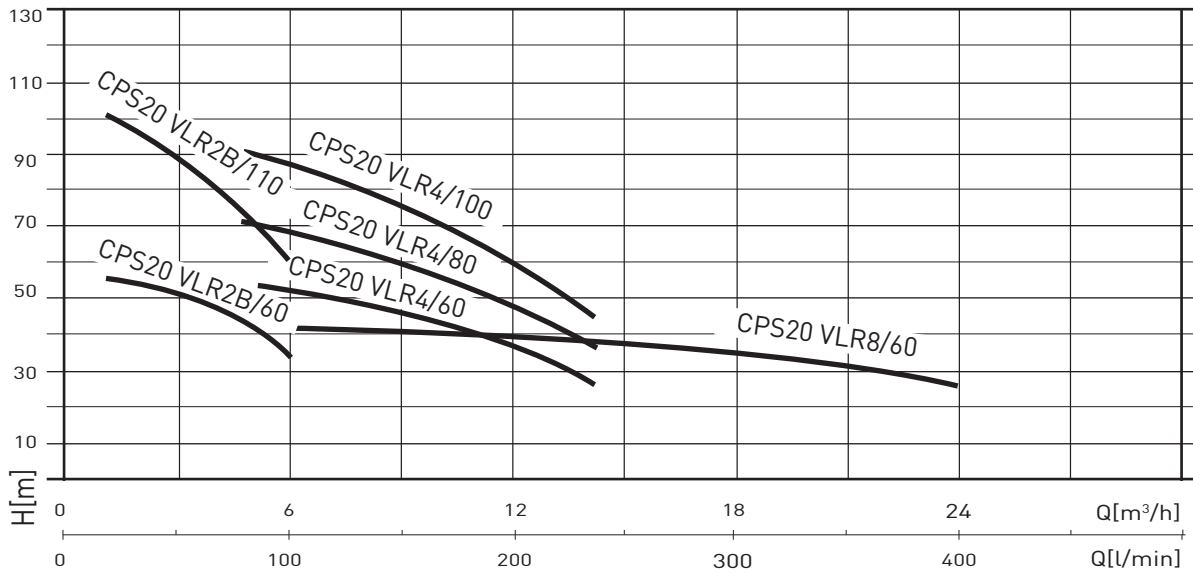
OVERALL DIMENSIONS AND WEIGHTS

| MODEL | Dimensions (mm) | | | | | | | | Weight kg |
|----------------|-----------------|-----|-----|-----|-----|-----|-------|-----|-----------|
| | L1 | L2 | H1 | H2 | H3 | P1 | DNA | DNM | |
| CPS20/DHR 2-50 | 670 | 370 | 100 | 365 | 585 | 700 | 2"1/2 | 2" | 57 |
| CPS20/DHR 4-50 | 670 | 370 | 100 | 365 | 585 | 700 | 2"1/3 | 2" | 62 |
| CPS20/DHR 4-60 | 670 | 370 | 100 | 365 | 585 | 700 | 2"1/4 | 2" | 68 |
| CPS20/DHR 9-40 | 670 | 370 | 100 | 400 | 620 | 700 | 2"1/5 | 2" | 77 |
| CPS20/DHR 9-60 | 670 | 370 | 100 | 400 | 620 | 700 | 2"1/2 | 2" | 89 |

NOCCHI CPS20 VLR

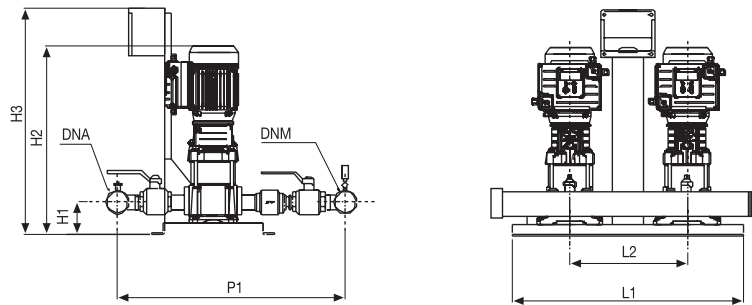
VARIABLE SPEED PRESSURE BOOSTER SETS WITH TWO PUMPS

HYDRAULIC PERFORMANCE



PERFORMANCE TABLE

| MODEL | P1 | | Volt | In [A] | Q | m.c.a./m.w.c. | | | | | | | | | | | | | | | |
|-----------------|---------|-------|---------|---------|---------------|---------------|-----|-----|-----|-----|-----|-----|-----|------|------|------|------|------|--|--|--|
| | HP | kW | | | | L/min | 20 | 40 | 60 | 80 | 100 | 120 | 160 | 200 | 240 | 320 | 350 | 400 | | | |
| | | | | | | m³/h | 1.2 | 2.4 | 3.6 | 4.8 | 6.0 | 7.2 | 9.6 | 12.0 | 14.4 | 19.2 | 21.0 | 24.0 | | | |
| CPS20-VLR2B/60 | 2x0.752 | 2x1.0 | 1 ~ 230 | 2x6.5 | m.c.a./m.w.c. | 54 | 51 | 46 | 39 | 30 | | | | | | | | | | | |
| CPS20-VLR2B/110 | 2x1.5 | 2x1.1 | 1 ~ 230 | 2x10.5 | | 100 | 94 | 85 | 72 | 55 | | | | | | | | | | | |
| CPS20/VLR 4-60 | 2x1.5 | 2x1.1 | 1 ~ 230 | 2x1.0.4 | | | | | | 53 | 51 | 49 | 44 | 36 | 27 | | | | | | |
| CPS20/VLR 4-80 | 2x1.5 | 2x1.1 | 1 ~ 230 | 2x1.4.2 | | | | | | 71 | 69 | 66 | 58 | 49 | 35 | | | | | | |
| CPS20/VLR4-100 | 2x3 | 2x2.2 | 1 ~ 230 | 2x15.4 | | | | | | 89 | 86 | 82 | 73 | 61 | 44 | | | | | | |
| CPS20/VLR 8-40 | 2x2 | 2x1.5 | 1 ~ 230 | 2x14.2 | | | | | | | 41 | 40 | 39 | 38 | 35 | 32 | 27 | 22 | | | |



OVERALL DIMENSIONS AND WEIGHTS

| MODEL | Dimensions (mm) | | | | | | | | Weight kg |
|-----------------|-----------------|-----|-----|-----|-----|-----|--------|--------|-----------|
| | L1 | L2 | H1 | H2 | H3 | P1 | DNA | DNM | |
| CPS20-VLR2B/60 | 600 | 370 | 80 | 633 | 700 | 620 | 2" | 2" | 60 |
| CPS20-VLR2B/110 | 600 | 370 | 80 | 723 | 700 | 620 | 2" | 2" | 60 |
| CPS20/VLR 4-60 | 600 | 370 | 75 | 687 | 810 | 660 | 2" | 2" | 70 |
| CPS20/VLR 4-80 | 600 | 370 | 75 | 788 | 810 | 660 | 2" | 2" | 73 |
| CPS20/VLR4-100 | 600 | 370 | 75 | 842 | 810 | 660 | 2" | 2" | 89 |
| CPS20/VLR 8-40 | 620 | 370 | 100 | 785 | 820 | 700 | 2" 1/2 | 2" 1/2 | 110 |