

NOCCHI BIOX XS

ELECTRIC SUBMERSIBLE VORTEX PUMPS FOR SEWAGE WORKS

MECHANICAL GASKET IN SILICON CARBIDE/SILICON CARBIDE

The pumps in the BIOX XS series are constructed in 100% AISI 304 stainless steel. They operate entirely immersed in the pumped liquid, which serves to cool the motor from the exterior. Designed with retracted impeller and vortex operation. Automatic version equipped with float switch.

MOTOR

- Dry motor.
- Protection rating IP 68.
- Insulation class F.
- Single phase power supply with permanently activated capacitor and thermal cutout protection incorporated in the motor winding.
- Fully insulated cable connection chamber.
- Self-lubricating ball bearings.
- Rotation speed 2850 rpm.

APPLICATIONS

- All applications for lifting and draining waste water with suspended solid bodies.
- Lifting stations with one or more pumps for agricultural and civil complexes.
- Suitable for draining off infiltration water.
- Handling of sewage water (hygiene facilities), emptying of cess pits and drainage into sewage works.

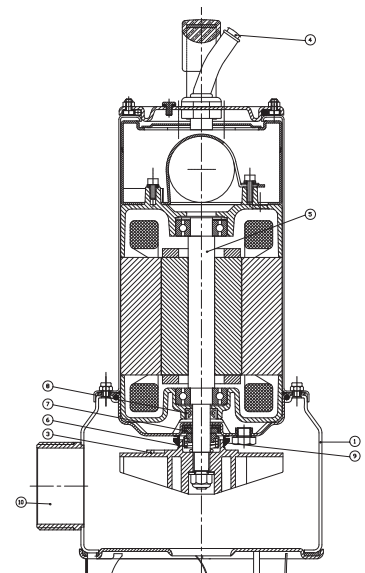
APPLICATION DATA

- Type of liquid: waste and sewage water with solid bodies.
- Maximum liquid temperature: 40°C.
- Maximum immersion below water level: 7 m.
- Free transit of solid bodies: 40 mm



TABLE OF MATERIALS

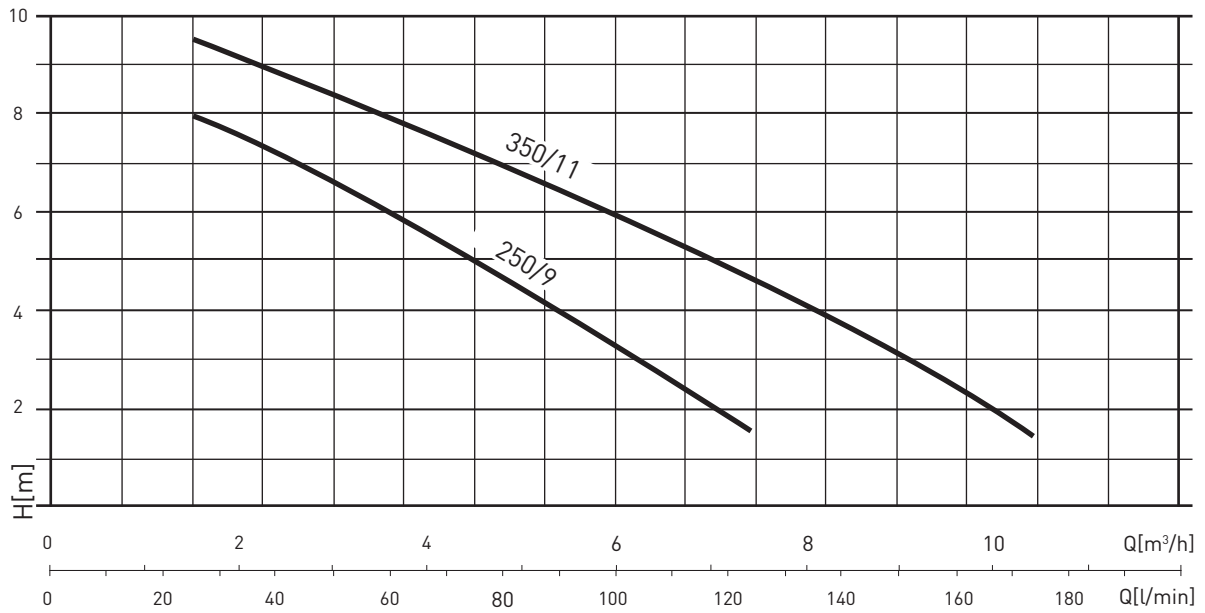
Component		Material	
1	Pump body	Stainless steel X5 CrNi 1810 (AISI 304)	
2	suction base	Stainless steel X5 CrNi 1810 (AISI 304)	
3	Impeller	Cast stainless steel X5 CrNi 1810 (AISI 304)	
4	Delivery port	Threaded	
5	Power cable	10 m H07 RN-F with plug	
6	Motor shaft	Stainless steel X5 CrNiS 1809 (AISI 416)	
7	Mechanical gasket	Silicon carbide	
8	Counterface	Silicon carbide	Lubricated in oil chamber
9	Secondary seal	Lip seal in rubber NBR	
10	Sand-proof guard	Rubber NBR	



NOCCHI BIOX XS

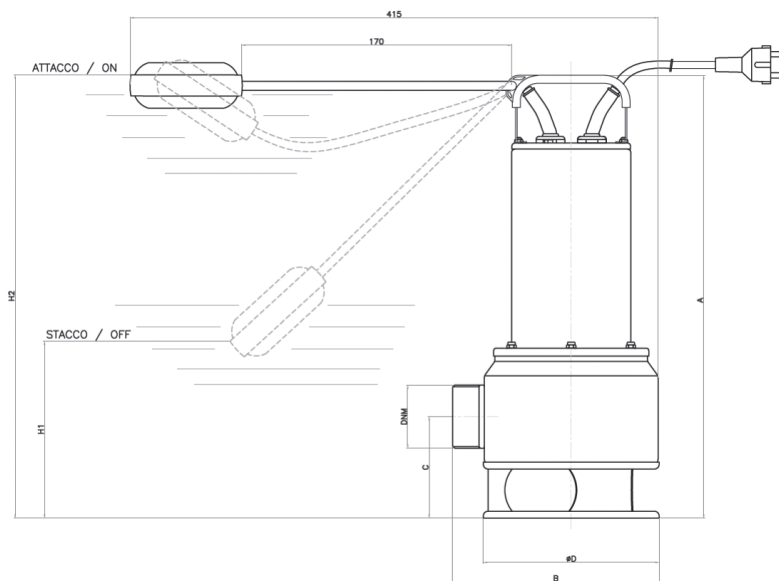
ELECTRIC SUBMERSIBLE VORTEX PUMPS FOR SEWAGE WORKS

HYDRAULIC PERFORMANCE



PERFORMANCE TABLE

MODEL	Motor output (P2)		Power Motor (P1)		VOLT	In (A)	µF	Q	L/min m³/h	50	100	150	200	250	300	350
	HP	kW	HP	kW						3	6	9	12	15	18	21
BIOX 250/9 XS AUT	0.8	0.6	1.2	0.9	1 ~ 230	4.1	12.5	m.c.a. / m.w.c.	8	6.6	5.1	3.4	1.6			
BIOX 350/11 XS AUT	1.2	0.9	1.7	1.3	1 ~ 230	5.8	20		9.6	8.5	7.3	6	4.5	3	1.5	



OVERALL DIMENSIONS AND WEIGHTS

MODEL	Dimensions (mm)							Weight (kg)
	A	B	C	D	DNM	H1	H2	
BIOX 250/9 XS AUT	389	196	96	168	1"1/2 GAS	250	370	9.8
BIOX 350/11 XS AUT	419	196	96	168	2" GAS	300	400	11.2