

NOCCHI AUTOMAX

PRESSURE UNITS WITH ELECTRONIC PUMP CONTROL AND PROTECTION DEVICE

Automatic unit for pressure increase in domestic water system. Comprising a single phase electric pump model Max and the electronic device FLUSSCONTROL BASIC, which controls automatic operation of the pump, protecting it in the event of water supply failure. It is supplied pre-wired and ready for installation and use.

APPLICATIONS

- Lifting and distribution of water in domestic systems.
- Pressure booster systems.
- Washing and irrigation.

DESIGN SPECIFICATIONS

- Flusscontrol Basic:
- Max. pressure: 8 bar
- Max. temperature: 40°C
- 1.5 m H05 RN-F power cable with plug.

ADVANTAGES

- Reduces water hammer effect
- Replaces traditional expansion tank system
- Maintenance free
- Protection in event of water supply failure
- Simple to install
- Pressure remains constant during supply

MOTOR

- Closed, ventilated from exterior.
- Protection rating IP 44.
- Insulation class F.
- Single phase power supply with permanently activated capacitor.
- Thermal cutout protection incorporated in motor winding.
- Rotation speed 2850 rpm.
- Continuous duty.

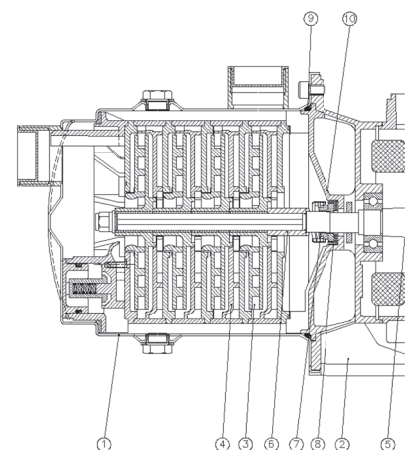
APPLICATION DATA

- Type of liquid: clean water without suspended solid bodies or abrasive material.
- Maximum liquid temperature: 40°C.
- Maximum recommended suction height: 7 m with foot valve.
- Maximum operating pressure: 7 bar.



TABLE OF MATERIALS

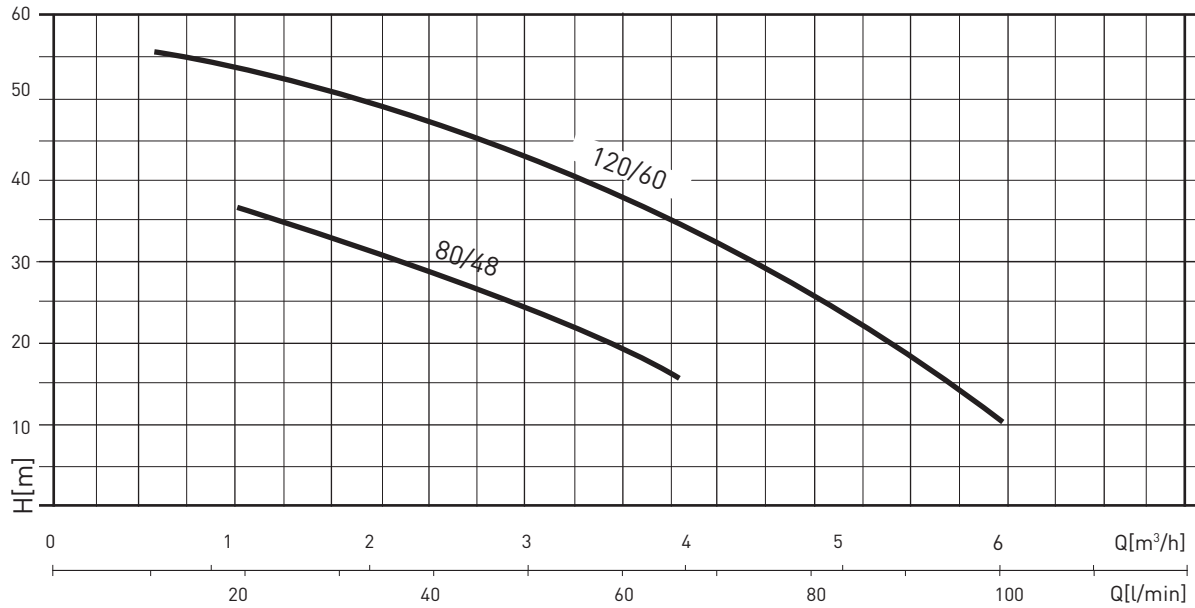
	Component	Material
1	Pump body	Stainless steel X5 CrNi 1810 (AISI 304)
2	Motor bracket	Die cast aluminum
3	Impeller	Technopolymer with shim ring in stainless steel X5 CrNi 1810 (AISI 304)
4	Diffusers	Technopolymer
5	Shaft (hydraulic section)	Stainless steel X5 CrNi 1810 (AISI 304)
6	Spacer	Nickel-plated brass OT 58
7	Mechanical gasket	Graphite
8	Counterface	Ceramic
9	Seals	NBR 70 Shore
10	Seal holder base	Noryl GFN2V



NOCCHI AUTOMAX

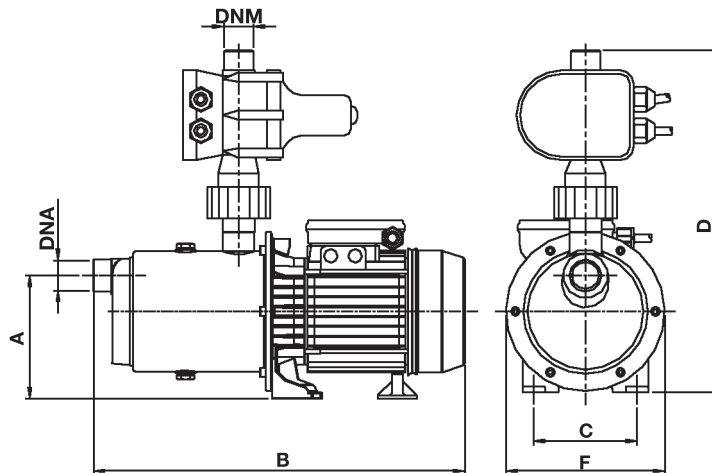
PRESSURE UNITS WITH ELECTRONIC PUMP CONTROL AND PROTECTION DEVICE

HYDRAULIC PERFORMANCE



PERFORMANCE TABLE

MODEL	Motor output (P2)		Motor output (P1)		VOLT	I _n (A)	μF	Q	L/min m³/h	0	20	40	60	80
	HP	kW	HP	kW						0	1.2	2.4	3.6	4.8
AUTOMAX 80/48	0.75	0.55	1.10	0.8	1 ~ 230 V	4	12.5	m.c.a./ m.w.c.	45	36	28	17	1	
AUTOMAX 120/60	1.2	0.9	1.7	1.25	1 ~ 230 V	5.8	20		60	55	48	36	26	



OVERALL DIMENSIONS AND WEIGHTS

MODEL	Dimensions (mm)							Weight (kg)
	A	B	C	D	E	DNA	DNM	
AUTOMAX 80/48	129	370	99	380	205	1" F	1" M	9.2
AUTOMAX 120/60	129	415	99	390	205	1" F	1" M	12.2