

NOCCHI AUTOJET

PRESSURE UNITS WITH ELECTRONIC PUMP CONTROL AND PROTECTION DEVICE

Automatic unit for pressure increase in domestic water system. Comprising a single phase electric pump model Jetinox and the electronic device FLUSSCONTROL BASIC, which controls automatic operation of the pump, protecting it in the event of water supply failure. It is supplied pre-wired and ready for installation and use.

APPLICATIONS

- Lifting and distribution of water in domestic systems.
- Pressure booster systems.
- Washing and irrigation.

ADVANTAGES

- Reduces water hammer effect
- Replaces traditional expansion tank system
- Maintenance free
- Protection in event of water supply failure
- Simple to install
- Pressure remains constant during supply

MOTOR

- Closed, ventilated from exterior.
- Protection rating IP 44.
- Insulation class F.
- Single phase power supply with permanently activated capacitor.
- Thermal cutout protection incorporated in motor winding.
- Rotation speed 2850 rpm.
- Continuous duty.

DESIGN SPECIFICATIONS

- Flusscontrol Basic:
- Max. pressure: 8 bar
- Max. temperature: 40°C
- 1.5 m H05 RN-F power cable with plug.

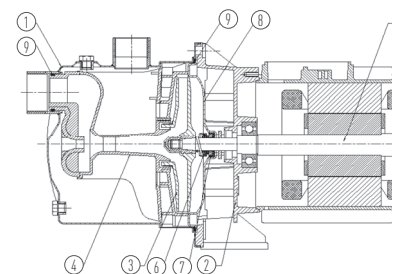
APPLICATION DATA

- Type of liquid: clean water without suspended solid bodies or abrasive material.
- Maximum liquid temperature: 40°C.
- Maximum recommended suction height: 8 m with foot valve.
- Maximum operating pressure: 6 bar.



TABLE OF MATERIALS

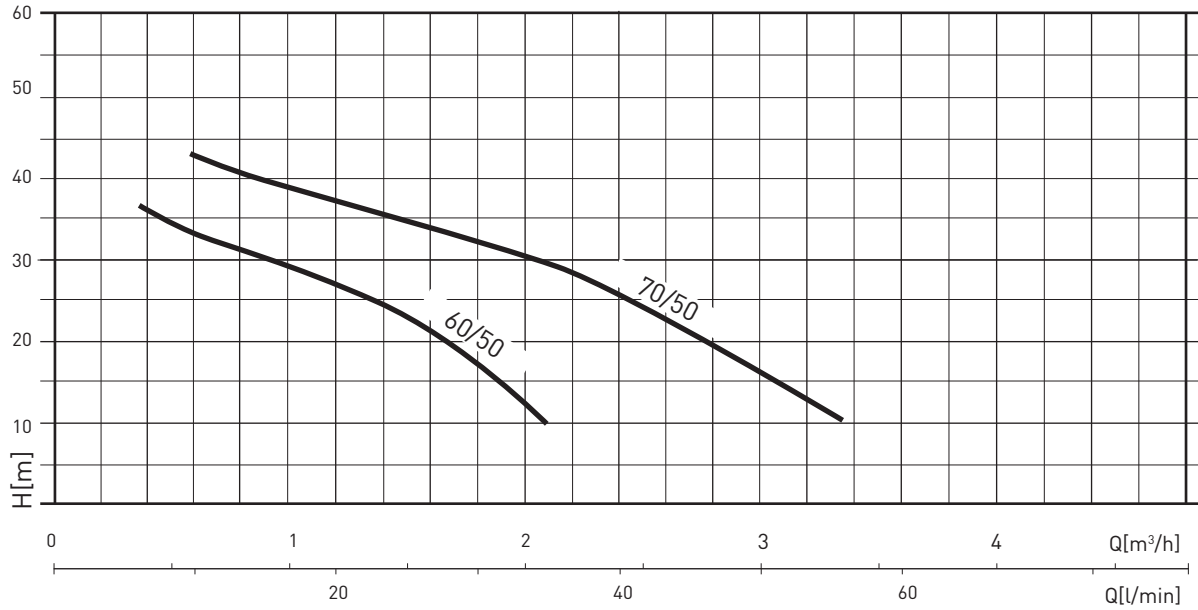
Component	Material
1 Pump body	Stainless steel X5 CrNi 1810 (AISI 304)
2 Motor bracket	Die cast aluminum
3 Impeller	Technopolymer with shim ring in stainless steel
4 Freestanding diffuser unit Venturi pipe nozzle	Technopolymer
5 Shaft	Stainless steel X 12 CrNiS 1809 (AISI 416)
6 Mechanical gasket	Graphite
7 Counterface	Ceramic
8 Gasket backing plate	Technopolymer (series 45-60-70) Stainless steel X5 CrNi 1810 (AISI 304) series 90
9 Seals	NBR 70 Shore



NOCCHI AUTOJET

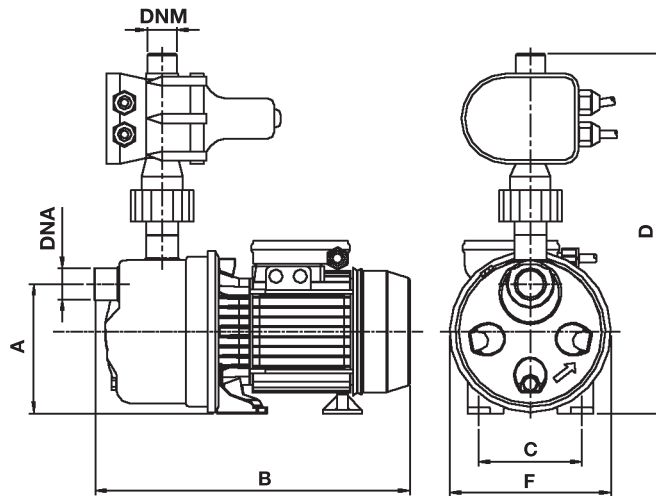
PRESSURE UNITS WITH ELECTRONIC PUMP CONTROL AND PROTECTION DEVICE

HYDRAULIC PERFORMANCE



PERFORMANCE TABLE

MODEL	Motor output (P2)		Motor output (P1)		VOLT	I _n (A)	μF	Q	L/min m³/h	0	10	20	30	40	50	60
	HP	kW	HP	kW						0	0.6	1.2	1.8	2.4	3	3.6
AUTOJET 60/50	0.75	0.55	1.10	0.8	1 ~ 230 V	4	12.5	m.c.a./ m.w.c.	46	36	31	26	18	6		
AUTOJET 70/50	0.95	0.7	1.36	1.0	1 ~ 230 V	4.5	16		48	42.5	37.5	32	25	16.5	7	



OVERALL DIMENSIONS AND WEIGHTS

MODEL	Dimensions (mm)							Weight (kg)
	A	B	C	D	E	DNA	DNM	
AUTOJET 60/50	140	374	99	391	194	1" F	1" M	9.4
AUTOJET 70/50	144	351	99	397	195	1" F	1" M	10.7