

# NOCCHI A-DHR

## PRESSURE BOOSTERS WITH ELECTRONIC PUMP CONTROL AND PROTECTION DEVICE

Automatic booster unit for pressure increase in water system.

Comprising a single phase pump model DHR and the electronic device FLUSSCONTROL, which controls automatic operation of the pump, protecting it in the event of water supply failure.

### APPLICATIONS

- Lifting and distribution of water in domestic systems.
- Pressure booster systems.
- Washing and irrigation.

### DESIGN SPECIFICATIONS

- Non-adjustable restart pressure: 1.5 bar.
- Liquid temperature range from 4°C to 65°C.
- 1.5m H05 RN-F power cable with Schuko plug.

### APPLICATION DATA

- Type of liquid: clean water without suspended solid bodies or abrasive material.
- Maximum recommended suction height: 6 m with foot valve.
- Maximum operating pressure: 10 bar.

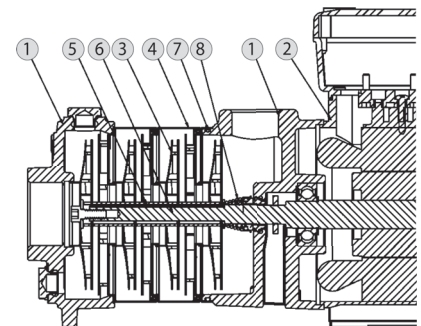
### MOTOR

- Closed, ventilated from exterior.
- Protection rating IP 54.
- Insulation class F.
- Single phase power supply with permanently activated capacitor.
- Thermal cutout protection incorporated in motor winding.
- Rotation speed 2850 rpm.
- Continuous duty.



### TABLE OF MATERIALS

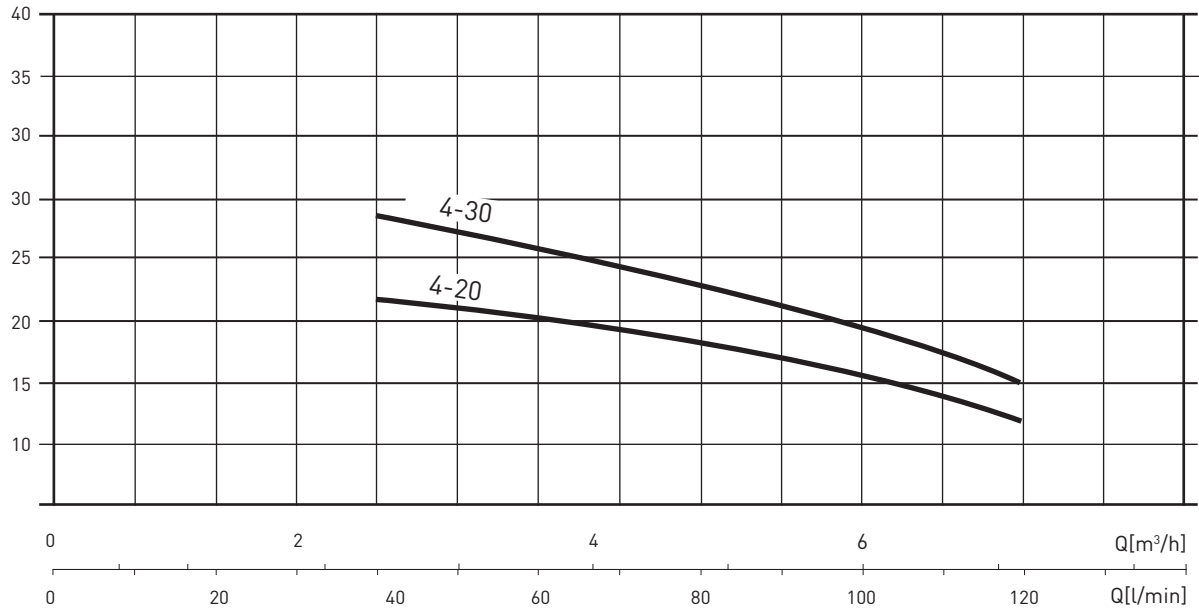
Component		Material
1	Pump body	CAST IRON GJL-200 (ASTM Class 35)
2	Motor bracket	Die cast aluminum
3	Impellers	Stainless steel X5 CrNi18-10 (AISI 304)
4	Diffusers	Stainless steel X5 CrNi18-10 (AISI 304)
5	Casing	Stainless steel X5 CrNi18-10 (AISI 304)
6	Shaft	Stainless steel X5 CrNi18-10 (AISI 304)
7	Gaskets / Seals	NBR
8	Mechanical gasket	Graphite/ceramic



# NOCCHI A-DHR

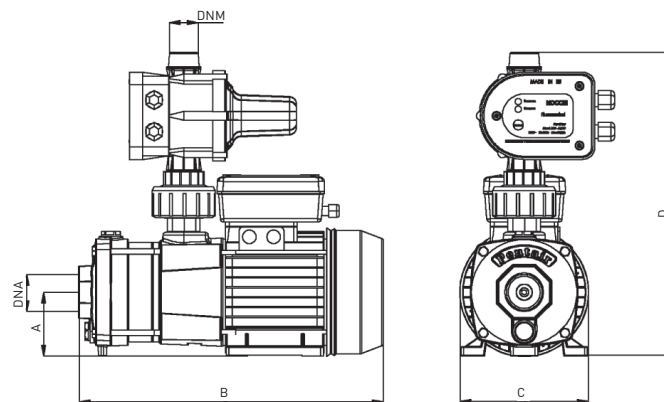
## PRESSURE UNITS WITH ELECTRONIC PUMP CONTROL AND PROTECTION DEVICE

### HYDRAULIC PERFORMANCE



### PERFORMANCE TABLE

MODEL	Motor output (P2)		Motor output (P1)		VOLT	I <sub>n</sub> (A)	μF	Q	L/min	40	50	60	80	100	120
	HP	kW	HP	kW					m³/h	2.4	3	3.6	4.8	6	7.2
A-DHR 4-20 FB	0.50	0.37	0.80	0.60	1 - 230 V	2.9	12.5	m.c.a./m.w.c.	17	16	15.5	13.5	11	7.5	
A-DHR 4-30 FB	0.70	0.50	1.10	0.80	1 - 230 V	3.7	12.5		23.5	22.5	21	18	14	10	



### OVERALL DIMENSIONS AND WEIGHTS

MODEL	Dimensions (mm)						Weight (kg)
	A	B	C	D	DNA	DNM	
A-DHR 4-20 FB	71	339	143	338	1" 1/4	1" M	11.5
A-DHR 4-30 FB	71	339	143	338	1" 1/4	1" M	11.7