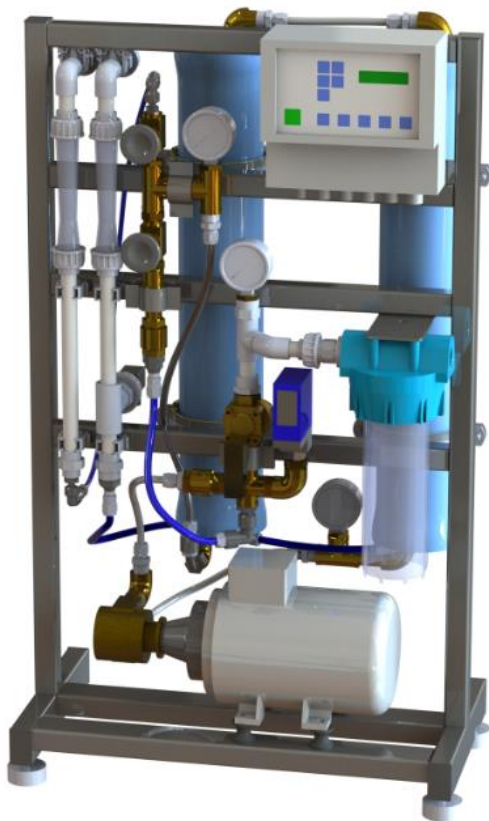
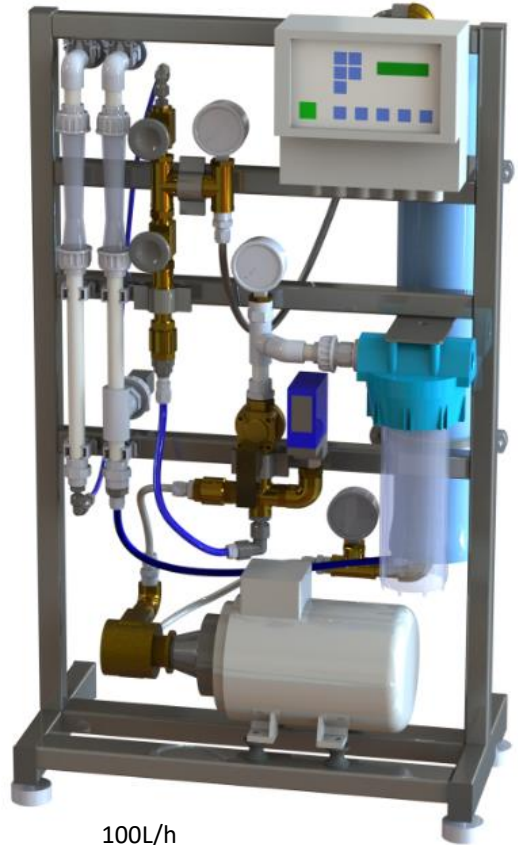


LENNRO MICRO

Tap water
Reverse Osmosis systems for
small flow



200L/h



100L/h

100 L/h
200 L/h

Description

Lenntech Micro Reverse Osmosis Systems provide low conductivity water from tap water*. Lenntech units are ready-to-use, skid mounted and easy to operate.

- Compact design, low energy demand and high recovery;
- Fully automatic system, microprocessor controlled.

This system includes

- 5-micron cartridge filter;
- High pressure pump, brass pump head;
- Permeate conductivity indicated in the front panel display;
- High performance Dow membranes;
- Fiberglass pressure vessels;
- Permeate and concentrate flow meters;
- Pressure indicators: feed pressure, high pressure and concentrate pressure;
- Low pressure switch before the HPP;
- Controller for fully automatic operation;
- PVC piping, flexible braided hose, PE hose;
- Needle valves, inlet valve, high pressure pump and appendages in brass.

Options

- Softener as a pre-treatment for high hardness water

Feed water quality specifications

Parameter	Range
Total dissolved solids	Max. 500 ppm
pH value continuously	2-11
pH short time during cleaning	1-12
Dissolved iron	Max 0.05 ppm
Dissolved manganese	Max 0.05 ppm
Chlorine (continuously)	0 ppm
Oil and grease	0 ppm
Silt Density Index SDI ₁₅	< 3
Turbidity	< 1 NTU
Temperature	Min. 15°C - max. 25°C
Pre-pressure	Min. 2 bar - max. 4 bar

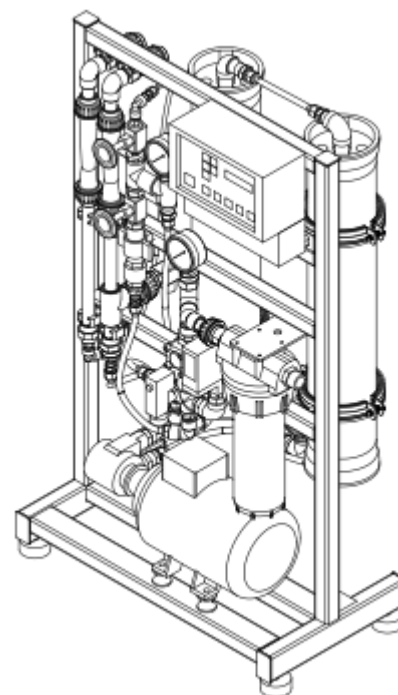
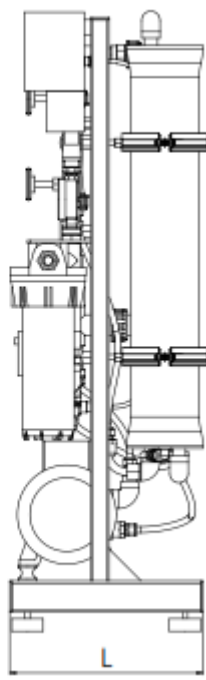
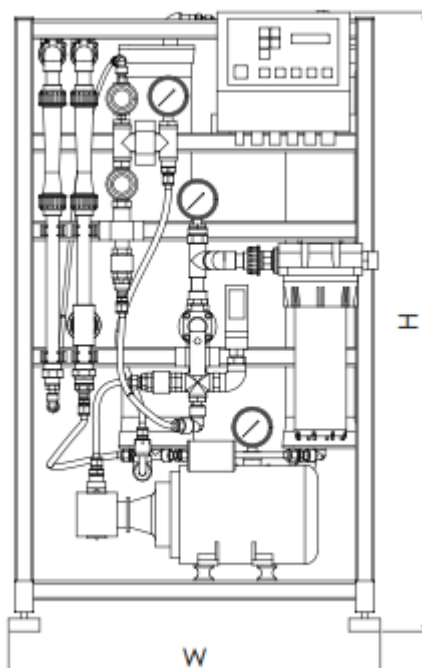
Technical data**

Lenntech micro	100	200
Permeate flow L/h	100	200
Feed flow L/h	135	270
Recirculation flow L/h	665	530
Recovery	75%	75%
Permeate TDS ppm	< 50	< 50
Membranes	1x XLE 4021	2x XLE 4021
Array (# Vessels)	1	2
Pump power	0,55 kW	0,55 kW

**) Water quality resembling tap water quality (low brackish water) can also be used as feed water, consult a Lenntech engineer with the water analysis of your feed water source*

****) These data are given for information purpose only. They are subject to modifications depending on the water quality.*

Dimensions



Dimensions (mm)	100	200
H	990	990
W	620	620
L	310	310

Connections (mm)	100	200
Feed	DN15	DN15
Permeate	DN15	DN15
Concentrate	DN15	DN15
CIP connections	N/A	N/A

Reverse Osmosis units often required pre-treatment for the following parameters:

- Suspended solids
- TOC, COD/BOD, oil and grease
- Iron and manganese
- Hardness removal/ reduction

Lenntech provides all kinds of pre and post treatment required before and after your RO, according to your water analysis and process requirements. Please contact us for further information.

Document Rev 00_2016