



SUPER-COR[®] XL PLUS MICROFILTRATION MODULES

Microfiltration Multitube Modules for Juice Processing

PRODUCT DESCRIPTION

Membrane Material: Polyethersulfone
Membrane Type: Microfiltration MFK-617
Nominal Pore Size*: 0.1 micron
Configuration: Thirty seven (37) ½” diameter tubules in polysulfone shell
Applications: Juice processing of dark juices
Regulatory Information: Compliant with food contact regulations per US FDA CFR Title 21 and EC Reg. No. 1935/2004

* - The nominal separation range and retention characteristics of the membranes are highly dependent upon the nature of the liquid being processed and on several other operating parameters. This information should, therefore, be used as a guide only

SPECIFICATIONS

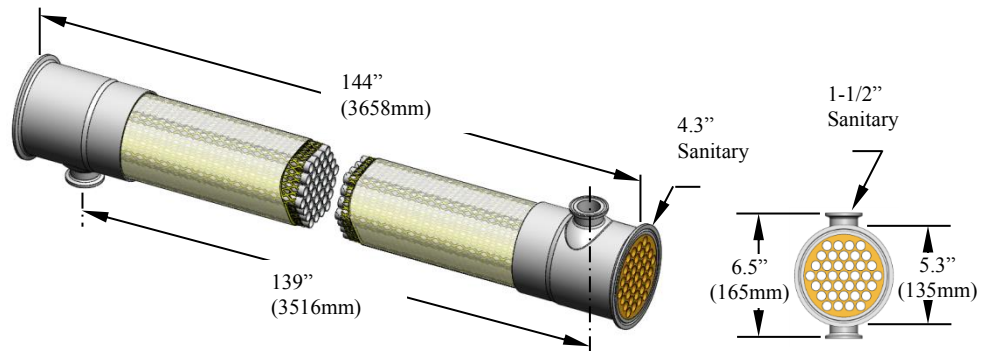
Part Numbers	Model	Membrane Area ft ² (m ²)
0712304	SUPER-COR [®] XL PLUS 4312-MFK-617	54.7 (5.1)

OPERATING AND DESIGN INFORMATION*

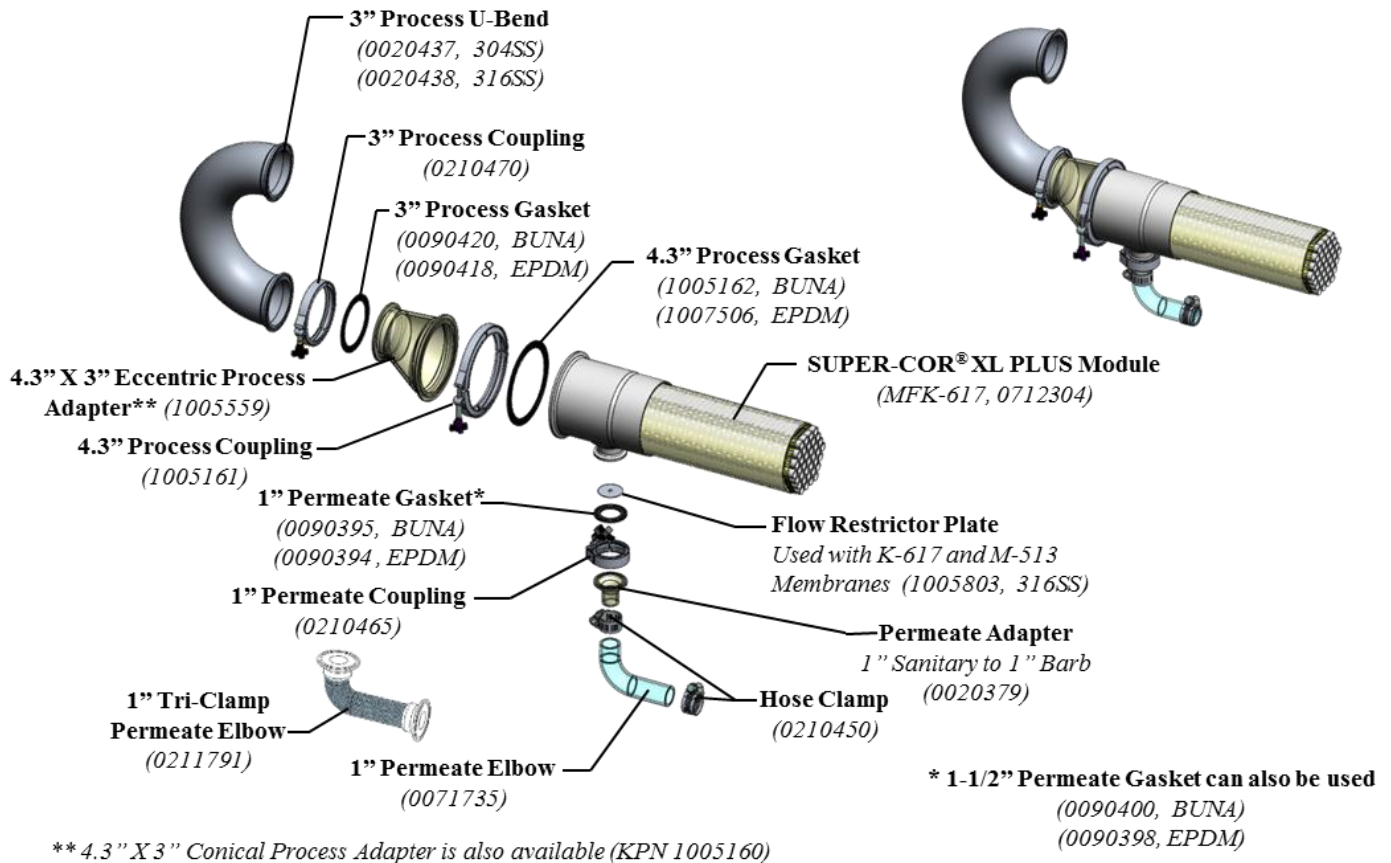
Maximum Operating Pressure: 90 psi @ 120°F (6.2 bar @ 49°C)
Minimum Outlet Pressure: 10 psi (0.7 bar)
Maximum Permeate Pressure: 3 psi (0.2 bar)
Typical Feed Side Pressure Drop Per Module: 4-6 psi (0.27-0.40 bar)
Maximum Feed Side Pressure Drop Per Module: 6 psi @ 120°F (0.4 bar @ 49°C)
Maximum Operating Temperature at pH 8: Continuous 120°F (49°C)
 Short term 130°F (54°C)
Allowable pH Range at 120°F (49°C): Continuous 2.0 – 10.0
 Short term 1.5 – 10.5
Maximum Chlorine (cleaning): 200 ppm @ pH 10-10.5, 120°F (49°C)

* Consult KMS Process Technology Group for specific applications.

NOMINAL DIMENSIONS



SUPER-COR® XL PLUS TUBULAR MODULE ASSEMBLY



Service and Ongoing Technical Support:

Koch Membrane Systems (KMS) has an experienced staff of professionals available to assist end-users and OEM's for optimization of existing systems and support with the development of new applications.

KMS Capability

KMS is the leader in crossflow membrane technology, manufacturing reverse osmosis, nanofiltration, microfiltration, and ultrafiltration membranes and membrane systems. The industries we serve include food, dairy, beverage, automotive, water and wastewater, chemical, and general manufacturing. KMS adds value by providing top quality membrane products and by sharing our experience in the design and supply of thousands of crossflow membrane systems worldwide.

The information contained in this publication is believed to be accurate and reliable, but is not to be construed as implying any warranty or guarantee of performance. We assume no responsibility, obligation, or liability for results obtained or damages incurred through the application of the information contained herein. Refer to Standard Terms and Conditions of Sale and Performance Warranty documentation for additional information.

LENNTECH

info@lennotech.com Tel. +31-152-610-900

www.lennotech.com Fax. +31-152-616-289

Koch Membrane Systems, Inc. is a Koch Chemical Technology Group, LLC company.

© 2016 Koch Membrane Systems, Inc. All rights reserved worldwide.

03/16 Rev 16-1