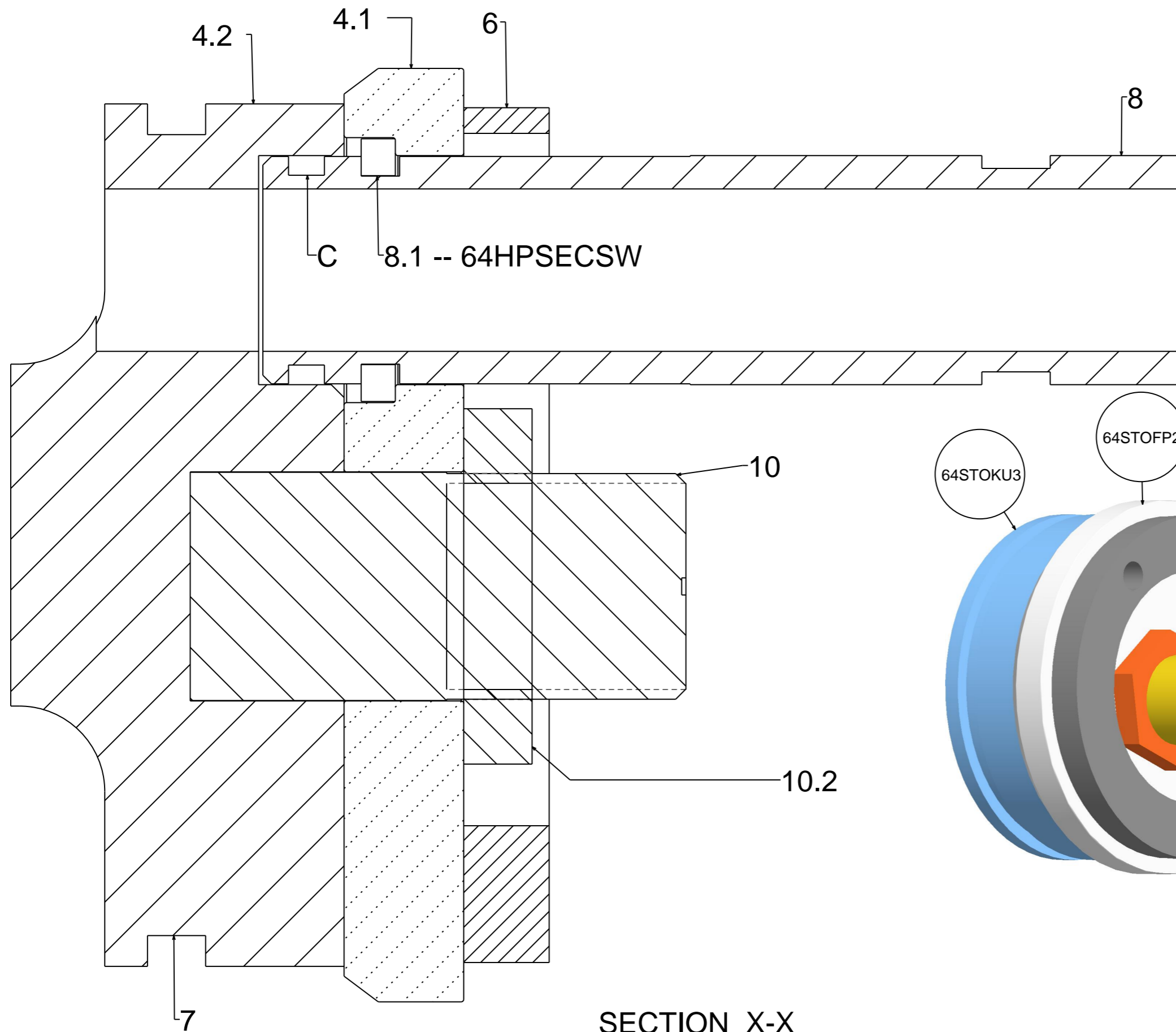
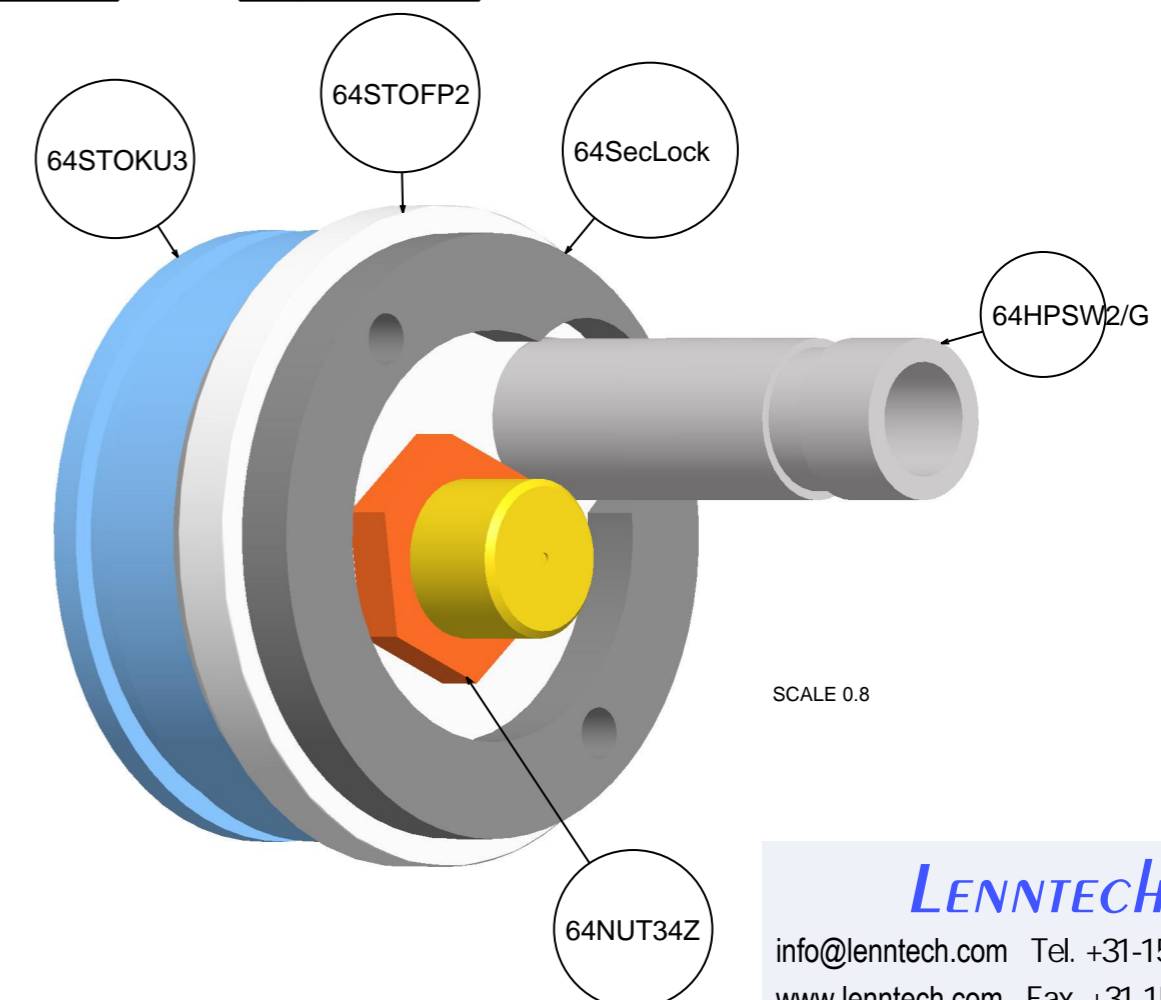


Level 3				
Part #	Index	Material	Qty	Type
64HPSECSW	1		1	PART
64HPSW_G_R3	2		1	PART
64NUT34Z	3		1	PART
64SECLOCK	4		1	PART
64STOFFP2_R1	5		1	PART
64STOKU3P02_R1	6		1	PART
64STOKU3_C_R1	7		1	PART



SECTION X-X



LENNTECH
 info@lennotech.com Tel. +31-152-610-900
 www.lennotech.com Fax. +31-152-616-289

O-Rings used			
on Pos.	Location	SIZE	No.
C	HP-Port	22x3	1

Knappe Composites			
14STOSW3/F	Mat.:	DATUM:	REV:
		30.06.03	1
Name	14STOSW2/F_R1	Page	