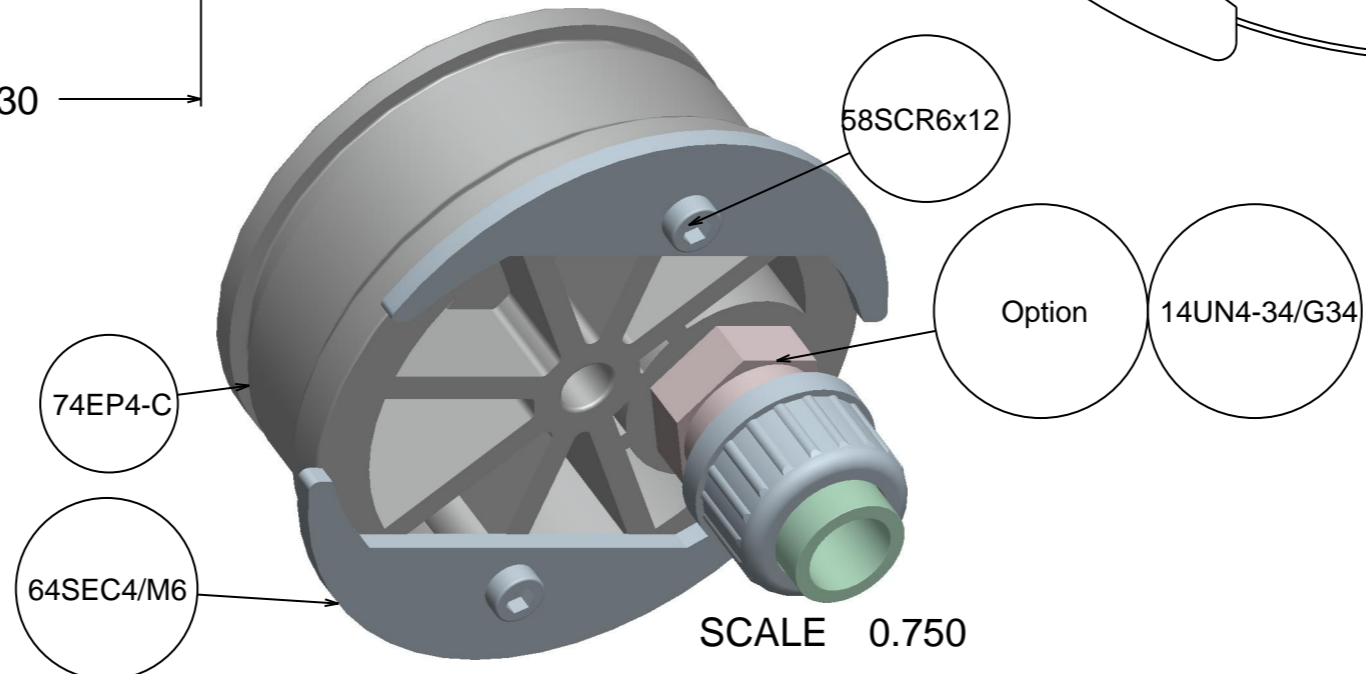


SECTION Y-Y



**LENNTECH**  
 info@lennotech.com Tel. +31-152-610-900  
 www.lennotech.com Fax. +31-152-616-289

O-Rings used for 14UN4-34/G34				
on Pos.	Location	SIZE	Parker#	No.
B	Body	18x3.0	6-425	1
A	Front	16x3	2-114	1

Knappe Composites				Mat.:	DATUM:	REV:	SIG:
14EP4-C Endplate assembly 4in V4i Feed Side							
Name	14EP4-C-R1	Page					